



BrightSight report

ST-Océ PRISMAsync-11.9.81.15-4.10

**ST of the Océ PRISMAsync 11.9.81.15
as used in the Océ VarioPrint 41x0 Release 2.1**

Version	4.10
Date	09-October-2009
Certification ID	BSI-DSZ-CC-0615
Sponsor	Océ Technologies BV
File name	Oce PRISMAsync Security_Target 4.10.doc
No of pages	55



This Security Target was prepared for:
Océ Technologies BV
P.O. Box 101,
5900 MA Venlo,
The Netherlands

brightSight[®] by Brightsight.



© 2009 Océ Technologies B.V., Brightsight. Respectively

Document information

Date of issue	09-October-2009
Author(s)	
Version number report	4.10
Certification ID	BSI-DSZ-CC-0615
Scheme	BSI
Sponsor	Océ Technologies BV P.O. Box 101, 5900 MA Venlo, The Netherlands
Evaluation Lab	Brightsight. IT Security Evaluation Facility Delftechpark 1 2628XJ Delft The Netherlands
Sponsor Project leader	Frederik Eveilleau
Target of Evaluation (TOE)	Océ PRISMAsync 11.9.81.15 as used in the Océ VarioPrint 41x0 Release 2.1
TOE reference name	Océ PRISMAsync
CC-EAL number	2+ (augmented with ALC_FLR.1)
Classification	Commercial
Report title	ST of the Océ PRISMAsync 11.9.81.15 as used in the Océ VarioPrint 41x0 Release 2.1
Report reference name	ST-Océ PRISMAsync-11.9.81.15-4.10

Document history

Version	Date	Comment
0.1	14-04-05	Initial draft
0.2	17-05-05	Incorporated Océ comments
0.3	30-05-05	Incorporated Océ and BSI comments
0.4	24-11-05	Incorporated Océ comments
1.0	06-02-06	Incorporated BSI comments
2.0	10-02-06	Incorporated BSI comments
2.1	16-02-06	Incorporated BSI comments
3.0	13-12-07	Updated for 21x0
3.1	31-1-08	Correction small error in Appendix D.
3.2	10-06-08	Adaptation to comments from BSI
3.3	04-07-08	Adaptation to comments ZK_0510_ASE_03.rtf
4.0	16-02-09	Updated for 41x0
4.0	19-02-09	Repair errors in ST
4.1	05-03-09	Incorporated BSI comments
4.2	27-03-09	Update with the last TOE version and the new brand name
4.3	01-04-09	Update with the BSI ID and the ast TOE version
4.4	27-04-09	Incorporate BrightSight comments.
4.5	03-06-09	Incorporate BSI comments.
4.6	16-06-09	Update references to test reports
4.7	15-07-09	Update for the maintenance version
4.8	25-08-09	Update AVA references
4.9	21-09-09	Update references to Océ user manuals.
4.10	09-10-09	Update references to delivery process and security service documents.

Signature

The sponsor project leader has signed for technical correctness.

Frederik Eveilleau
Sponsor Project leader

Contents

DOCUMENT INFORMATION.....	3
DOCUMENT HISTORY	4
1. SECURITY TARGET INTRODUCTION	7
1.1 ST Identification	7
1.2 ST Overview	8
1.3 CC Conformance.....	9
2. TOE DESCRIPTION	10
2.1 TOE Overview	10
2.1.1 TOE physical scope and boundary	10
2.1.2 TOE logical scope and boundary.....	14
3. TOE SECURITY ENVIRONMENT.....	20
3.1 Definition of subjects, objects and operations	20
3.1.1 Non-human subjects	20
3.1.2 Human subjects.....	20
3.1.3 Objects	21
3.1.4 Operations.....	21
3.2 Assumptions.....	22
3.3 Threats.....	23
3.4 Organisational Security Policies	23
4. SECURITY OBJECTIVES.....	24
4.1 TOE Security Objectives	24
4.1.1 Functional Security Objectives for the TOE.....	24
4.1.2 Assurance Security Objectives for the TOE.....	24
4.2 Security Objectives for the environment.....	24
5. IT SECURITY REQUIREMENTS.....	26
5.1 TOE Security Functional Requirements	26
5.1.1 SFRs for Filtering	26
5.1.2 SFRs for Shredding	26
5.1.3 SFRs for Management	27
5.1.4 SFRs for Protection of the TSF itself	29
5.1.5 Strength-of-function claim.....	29
5.2 TOE Security Assurance Requirements.....	29
5.3 Security Requirements for the IT Environment	30
5.4 Explicitly stated requirements.....	30
6. TOE SUMMARY SPECIFICATION	31
6.1 IT Security Functions.....	31
6.1.1 Probabilistic functions and mechanisms.....	31
6.1.2 Strength of function claim	32

6.2	Assurance Measures.....	33
7.	PP CLAIMS.....	35
8.	RATIONALE	36
8.1	Security Objectives Rationale.....	36
8.2	Security Requirements Rationale.....	40
8.2.1	The SFRs meet the Security Objectives for the TOE	40
8.2.2	The security requirements for the IT environment meet the security objectives for the environment	42
8.2.3	The Assurance Requirements and Strength of Function Claim are appropriate	43
8.2.4	All dependencies have been met.....	44
8.2.5	The requirements are internally consistent	44
8.2.6	The requirements are mutually supportive	44
8.3	TOE Summary Specification Rationale.....	45
8.3.1	The functions meet the SFRs.....	45
8.3.2	The assurance measures meet the SARs.....	47
8.3.3	The SOF-claims for functions meet the SOF-claims for the SFRs.....	47
8.3.4	The functions are mutually supportive	48
8.4	PP Claims Rationale.....	48
9.	APPENDIX A ABBREVIATIONS.....	49
10.	APPENDIX B REFERENCES.....	50
11.	APPENDIX C GLOSSARY OF TERMS.....	51
12.	APPENDIX D FIREWALL RULE TABLE	52
13.	APPENDIX E SECURITY RELATED ADMINISTRATION FUNCTIONS	53
14.	APPENDIX F XP PATCHES APPLIED	54
15.	DISTRIBUTION LIST	55

1. Security Target Introduction

1.1 ST Identification

Name of the TOE:

Océ PRISMAsync 11.9.81.15 as used in the Océ VarioPrint 41x0 Release 2.1

Name of the Security Target:

ST of the

Océ PRISMAsync 11.9.81.15 as used in the Océ VarioPrint 41x0 Release 2.1

ST evaluation status: Non-evaluated release

ST version number: 4.10

ST publication date: 09-October-2009

ST authors:



This Security Target was prepared for:

Océ Technologies BV

P.O. Box 101,

5900 MA Venlo,

The Netherlands

bright sight[®]



your
partner
in security
approval

by Brightsight. IT Security Evaluation

Facility

Delftechpark 1

2628XJ Delft

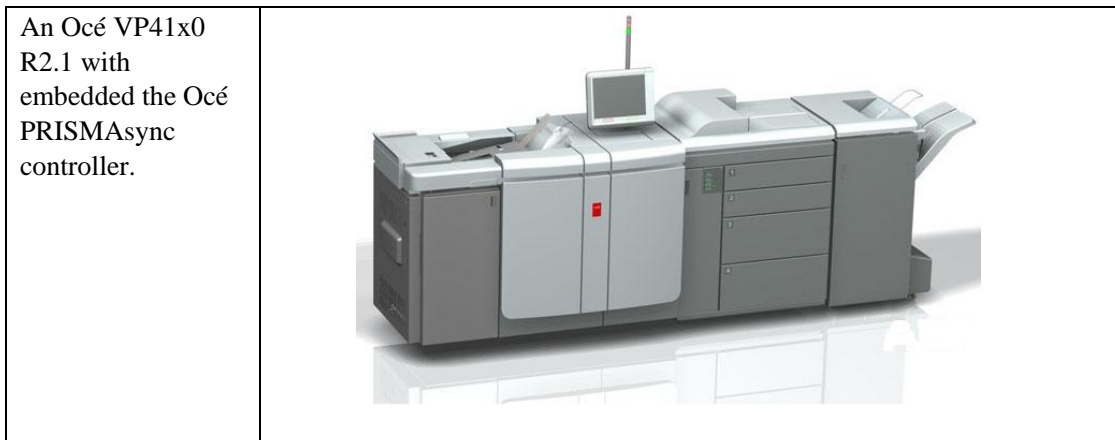
The Netherlands

1.2 ST Overview

The firm Océ produces a wide range of multifunctional devices for copying, printing and scanning (MFDs) for various purposes. One of these MFD series: the VP41x0 R2.1 (VP4110 and VP4120), uses PC hardware based controller, the Océ PRISMAsync.

- The Océ PRISMAsync v11.9.81.15, is used with the Océ VP41x0 R2.1

These VarioPrint products are referred to collectively in this Security Target as MFDs



The Océ PRISMAsync is a PC-based MFD-controller. The Océ PRISMAsync provides a wide range of printing, scanning and copying functionality to the MFD peripherals to which it is connected. The Océ PRISMAsync provides security functionality to the MFD.

This Security Target describes the Océ PRISMAsync and the specific security problem that it addresses. The Target of Evaluation (TOE) is a collection of software components (Océ developed software, 3rd party printer language interpreters, Operating System) that use the underlying hardware platform. The TOE is a subset of the complete Océ PRISMAsync.

1.3 CC Conformance

The evaluation is based upon:

- Common Criteria for Information Technology Security Evaluation, Version 2.3, Part 1: General model, August 2005.
- Common Criteria for Information Technology Security Evaluation, Version 2.3, Part 2: Security functional requirements, August 2005.
- Common Criteria for Information Technology Security Evaluation, Version 2.3, Part 3: Security assurance requirements, August 2005.
- Common Methodology for Information Technology Security Evaluation, Version 2.3, Part 2: Evaluation Methodology, August 2005.

The chosen level of assurance is:

EAL2 (Evaluation Assurance Level 2 augmented with ALC_FLR.1)

This Security Target claims the following conformance to the CC:

CC Part 2 conformant

CC Part 3 conformant

2. TOE Description

2.1 TOE Overview

This section presents an overview of the TOE.

2.1.1 TOE physical scope and boundary

The firm Océ produces a wide range of multifunctional devices for copying, printing and scanning (MFDs). For the purpose of this evaluation, the MFD consists of two main parts: (1) the Océ PRISMAsync controller and (2) the Digital Printer and Scanner/Copier and Local User Interface peripherals that together form the VP41x0 R2.1 product.

The Océ PRISMAsync is a PC-based MFD-controller that provides a wide range of printing, scanning and copy functionality to the Digital Printer, Scanner and Copier and Local User Interface peripherals to which the Océ PRISMAsync is connected. The Océ PRISMAsync provides security functionality to the MFD.

The Océ PRISMAsync can operate in two different security modes: 'High' and 'Normal'. This Security Target covers the Océ PRISMAsync operating in the security mode 'High' as delivered by Océ to the customer. This mode provides a restricted set of functionality that is configured to meet the Security Target claim. Changing the operational mode invalidates the claims made in this Security Target.

The Océ PRISMAsync is connected between a network and the MFD. This is depicted in Figure 1.

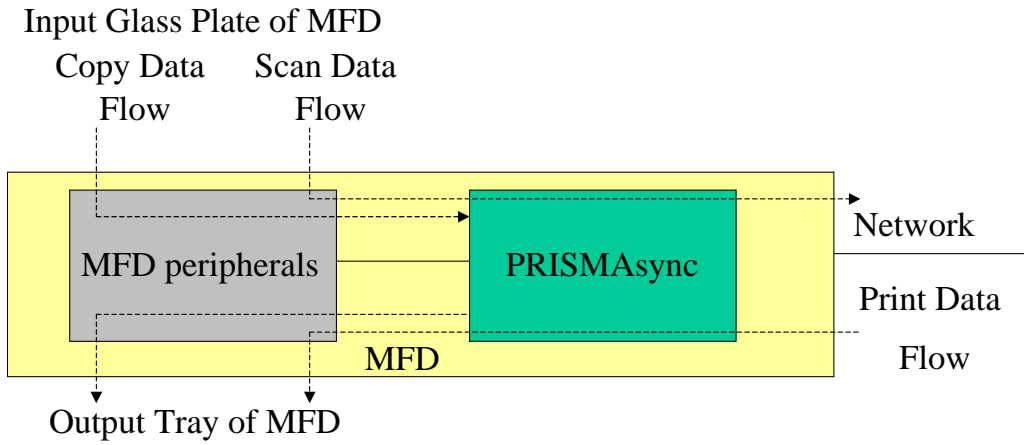


Figure 1: Relation between the Océ PRISMAsync and MFD.

The Océ PRISMAsync is located internally in the MFD. This physical configuration is depicted in Figure 2.



Figure 2: View of the Océ PRISMAsync controller in VP4110/4120 (open or closed side)



Figure 3: Viewer of a separated Océ PRISMAsync controller

The internal configuration helps prevent theft of the Océ PRISMAsync, but prevention of theft of the Océ PRISMAsync is outside the scope of this evaluation¹. All logical access points (network ports, USB/serial/parallel ports etc.) are protected from physical access in the internal configuration by a metal casing.

The Océ PRISMAsync consists of:

1. A generic off-the-shelf PC comprising an Intel CPU (Mono-Core @ 2.0GHz or Dual-Core @ 2.2GHz*), Up to 2Go internal DDR2 RAM*, a VGA output (graphical I/O), up to 2 x 160GB hard drive*, 6 x USB 2.0 ports, 2 x serial ports (1 x RS-232 & 1 x RS-422) and 2 x Ethernet ports (UTP), Audio output.
2. Generic embedded graphics card and 2 network cards supporting 10/100/1000Mbs Ethernet UTP.
3. Drivers for the PC (Chipset, CPU, graphics card, audio and network cards).
4. The Microsoft Windows XP embedded (XPe) operating system with service pack 2 included the additional patches listed in Appendix F.
5. Océ PRISMAsync-specific software release 11.9.81.15.
6. Third-party developed software: Adobe PS3-PDF Interpreter, Version 3018; PCL6 interpreter, Version IPS6.0.2; Tomcat Web server version 5.5.26 (with SSL support).

Of these 6, the first three are not part of the TOE and together form the underlying hardware platform that the TOE makes use of. The underlying hardware platform does not provide any specific security related functionality for the TOE. The TSF is mediated by the last three software components that are part of the TOE. This is depicted in

Figure 4: Division of the Océ PRISMAsync into TOE and non-TOE.

¹ Note that the Océ PRISMAsync protects print, copy, and scan data stored in it against theft through e-shredding, but the Océ PRISMAsync itself may be stolen.

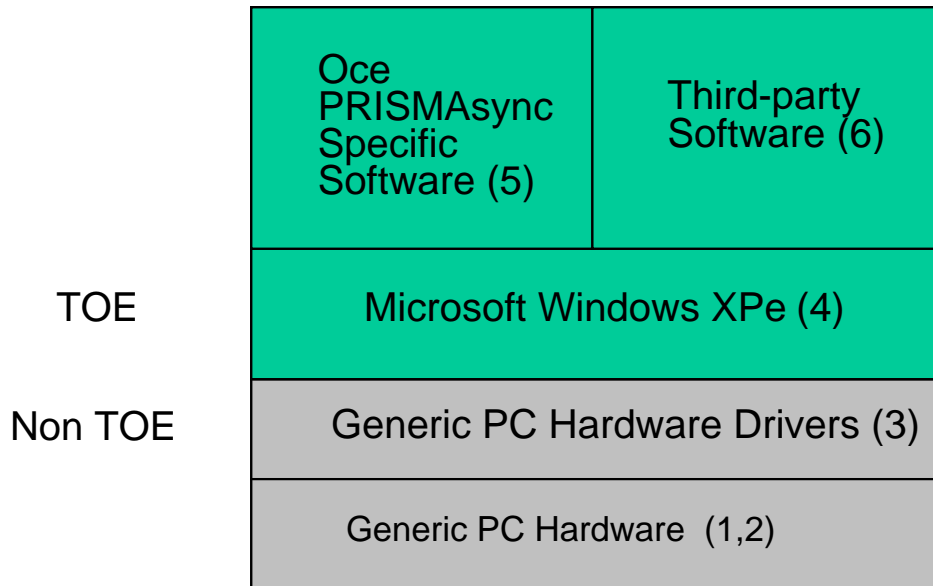


Figure 4: Division of the Océ PRISMAsync into TOE and non-TOE.

The physical interfaces through which the TOE communicates are:

- A network card through which a service engineer can administer the TOE (directly physically accessible thanks to a cable extender).
- A network card through which print and scan jobs can pass and a remote system administrator can administer the TOE (physically accessible after removing a screwed panel).
- A RS232 interface. The data that flows between the TOE and the MFD for printer control purposes passes through this interface (physically accessible after removing a screwed panel).
- A RS422 interface. The data that flows between the TOE and the MFD for scanner control purposes passes through this interfaces (physically accessible after removing a screwed panel).
- A USB interface. The data that flows between the TOE and the MFD for all printing, scanning, copying, and power management purposes passes through this interface (physically accessible after removing a screwed panel).
- A USB port through which the Operator can communicate with the TOE via the touch screen (LUI) to manage print jobs (but this interface cannot be used to perform any security management operations) (physically accessible after removing a screwed panel).
- A USB port through the TOE gives the printer status via the Red/Orange/Green Operator light
- A USB port through which the Operator can stop or re-start the print process (HO-GO Button).

The operator² guidance for the TOE consists of:

- Océ VarioPrint 4110/4120 Manual type Operating information, version 2009-5.
- Océ VarioPrint 4110/4120 Common Criteria certified configuration of the Océ PRISMAsync, Edition 2009-09.

The administrator guidance for the TOE consists of:

- Océ VarioPrint 4110/4120 Administrator settings and tasks, Edition 2009-05
- Océ VarioPrint 4110/4120 Common Criteria certified configuration of the Océ PRISMAsync, Edition 2009-09

The Océ PRISMAsync administration guidance for the Océ service engineer consists of:

- Océ VarioPrint 4110/4120 Security service documentation, Edition 2009-10

2.1.2 TOE logical scope and boundary

The TOE protects two assets: itself and the copy, print and scan job data that it receives: Firstly, the TOE protects its own integrity against threats from the LAN to which it is attached through use of a firewall.

Secondly, the TOE protects the confidentiality of print, copy and scan job data after they are no longer needed. The Océ PRISMAsync does this by shredding the data after they are deleted.

In order to protect these two assets, it offers the following functionality:

The TOE controls printing from the network

The TOE accepts Postscript, PDF and PCL6 print jobs from remote users on the network (lpr over TCP/IP) and provides these as images to the attached MFD printing peripheral.

The TOE receives a print job from a remote end-user, and it is either put in the print waiting room³ or in the print queue. Once this job becomes the first in the queue, the TOE processes this print job into images, and sends these images to the attached MFD peripheral for printing.

The remote end-users and interfaces they interact with are depicted in Figure 5.

² No guidance is necessary for the remote end user of the TOE.

³ The waiting room is the name use to refer to operator mailbox.

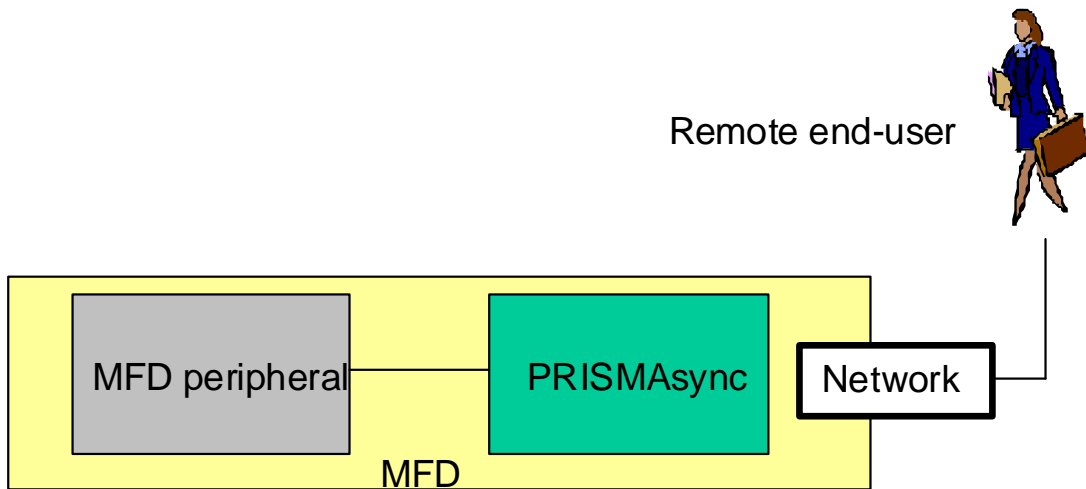


Figure 5: End-users and interfaces for printing

The TOE is configured to destroy the data relating to print jobs⁴ and temporary files⁵.

This is achieved by writing over the job related data with other data, thereby making it difficult to retrieve the original data.

The TOE administrators can select the number of write iterations. This 2-fold mechanism is fully asynchronous. Shredding is performed in a separate process, with different priorities depending on the overwriting iteration. The first iteration starts after the data is deleted. The remaining iterations take place with low priority in the background.

Additionally, the TOE is also configured to shred all data periodically (Every day, every week or every month or never.)⁶.

The TOE operators scan jobs that are exported to the network

Operators can scan documents on the VP41x0 R2.1 using the Local User Interface (LUI), and the resulting images will then be submitted to the TOE. The TOE can process the images to a variety of file formats and then transfer the resulting files by ftp to an ftp-server or by SMTP to an e-mail server on the network. The Operator can also complete copy jobs through the LUI, with the resulting images sent to the MFD.

The operators and interfaces they interact with (LUI⁷ and network) are depicted in Figure 6.

⁴ Also scan and copy jobs, see the next sub-section and Figure 6.

⁵ Job data is deleted when the job is completed or deleted from the mailbox. Temporary files (swap file) are shredded during system restart.

⁶ The setting to shred the data at a particular time interval is set to everyday at 12am by default.

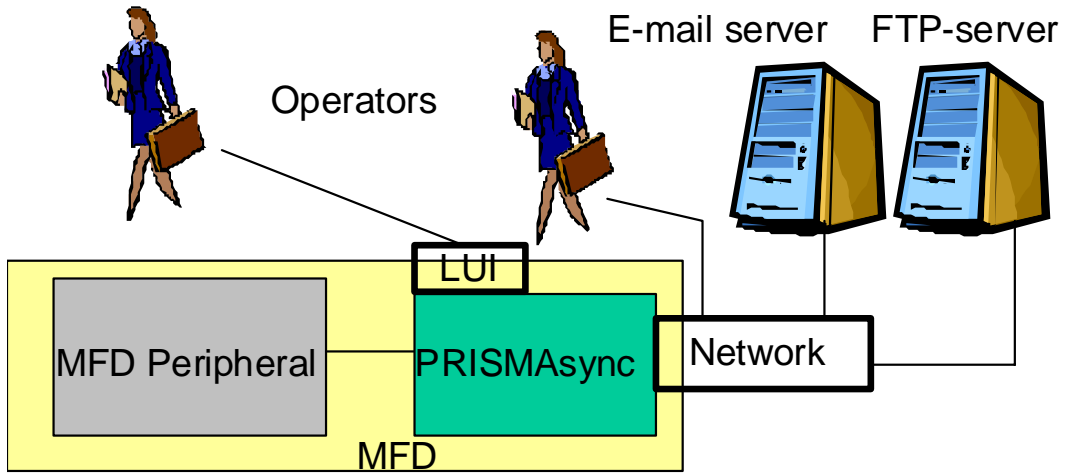


Figure 6: Operators and interfaces for scanning

⁷ The operator is unable to access any of the TOE security functions through the LUI. The LUI can only be used for scanning, copying, printing and managing print queues.

The TOE can be managed

As indicated in the previous sections, the MFD (of which the TOE is a part) supports remote end-users and Operators. The MFD also supports various administrators, which are described briefly here:

Remote Key Operator: These are typically administrators or secretaries from the organization owning/renting the TOE. They can interact with the Océ PRISMAsync through a Web interface that communicates with the TOE via the LAN. Through this interaction they have access to a limited amount of non-security related settings of the TOE.

Remote System administrator (HTTPS): These are remote administrators, typically a network administrator from the organization owning/renting the TOE. They can read and write a limited set of settings of the TOE through an SSL over HTTP connection (HTTPS). The remote administrator can identify the TOE via a certificate. Web pages that are delivered via the HTTPS connection are 'non-cacheable'.

Remote System administrator (SNMP): These are remote administrators, typically a network administrator from the organization owning/renting the TOE. They can read and write a limited set of settings of the TOE through a SNMP connection. None of the settings that the remote system administrator can access through SNMP are security related in the sense that they provide access to the assets that the TOE protects or allow changes to be made to the TOE security functionality.

Service engineer: These are local administrators, and are typically employed by Océ. They have access through an Ethernet connection to a wide range of settings on the TOE. The TOE connection is PIN code protected and service license protected and access to the management functions provided to the Service engineer require specific hardware and software. It is not possible to access the management functions made available to the service engineer without the software that is installed on the service engineer laptop.

The various administrators and the interfaces through which they interact with the TOE are depicted in Figure 7.

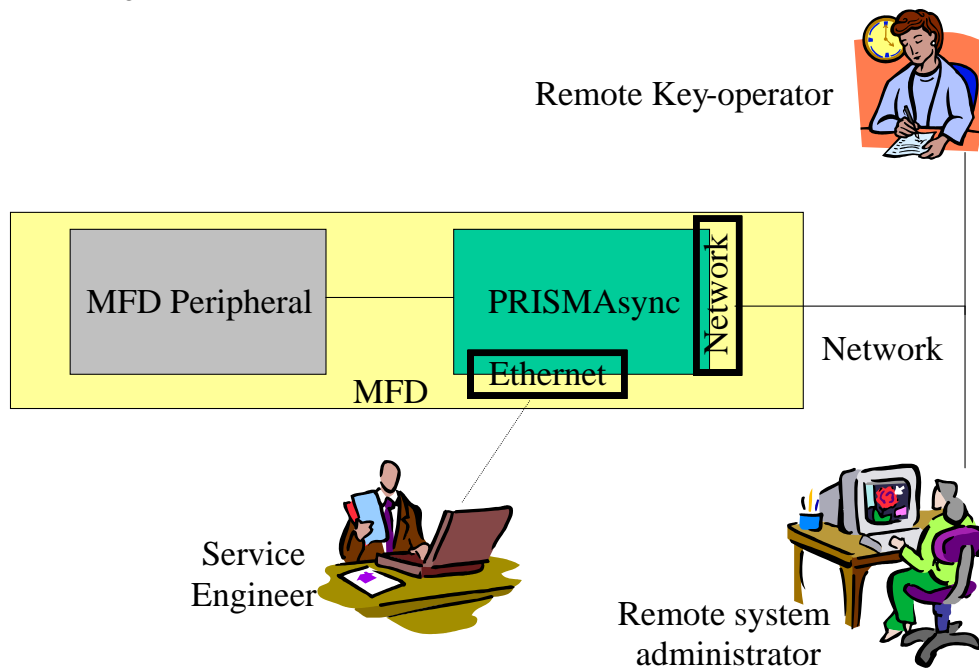


Figure 7: MFD Administrators and interfaces

The TOE has minimized all other functionality

The TOE supports the following network protocols:

- TCP/IP, UDP/IP and ICMP.

No other network protocols are enabled. The TOE manufacturer has filtered all network ports so that only data that is essential to the operation of the TOE can enter the TOE through the network interface. The TOE has further restricted the functionality behind each open network port to that which is absolutely necessary to its functioning. This is done to maximize the integrity of the TOE itself and minimize the risk of the TOE being infected or hacked and subsequently being used as a stepping-stone to damage the network.

The availability of security related functionality

As depicted in Figure 7, The Remote Key Operator is not able to influence the security of the TOE as they have no access to security settings via the Océ PRISMAsync Setting Editor.

Because the Remote Key Operator and TOE Operator cannot access security related settings on the Océ PRISMAsync LUI, they cannot affect the TOE. For the sake of clarity, Figure 8 shows the interfaces to the TOE and the subjects that can access and manage TOE security settings.

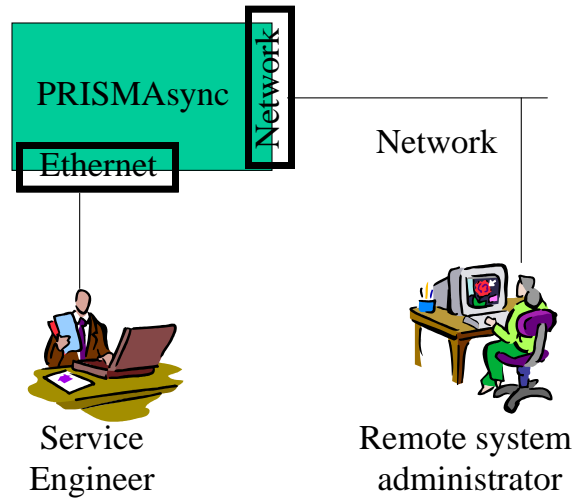


Figure 8: TOE Administrators and interfaces

3. TOE Security Environment

The TOE is intended to provide scan, print and copy functionality to users requiring a low to moderate level of security assurance. Additional environmental and organisational requirements support the security functionality provided by the TOE.

3.1 Definition of subjects, objects and operations

To facilitate definition of threats, OSPs, assumptions, security objectives and security requirements, we define the subjects, objects and operations to be used in the ST first.

3.1.1 Non-human subjects

The system (equipment) that will be interacting with the TOE (in alphabetical order):

- S.DIGITAL_PRINTER A device that is part of the MFD peripheral that physically renders a print job and is attached to the TOE via a cable.
- S.DIGITAL_SCANNER A device that is part of the MFD peripheral that scans in a copy or scan job and is attached to the TOE via a cable.
- S.LUI A device that provides a User Interface to S.OPERATOR for non-security related operations, such as local copying/printing/scanning/queue management.
- S.NETWORK_DEVICE An unspecified network device that is logically connected to the TOE and is located in the same operating environment (office building).

3.1.2 Human subjects

The users (or subject acting on behalf of that user) that will be interacting with the TOE are:

- S.REMOTE_USER A person who can interact with the TOE indirectly by sending or creating print jobs, and can send them to S.OPERATOR to be forwarded to the TOE. They are not malicious towards the TOE. S.REMOTE_USER typically sends print jobs from their desktop PC.
- S.OPERATOR A person with access to the operational environment of the TOE who is aware of how the TOE should be used. They are not malicious towards the TOE. S.OPERATOR typically interacts indirectly with the TOE via S.LUI or over the network. S.OPERATOR receives print jobs from S.REMOTE_USER and places the jobs in the TOE print queue or in the waiting room as appropriate to be processed by the TOE.
- S.REMOTE_SYSADMIN A person who can change some TOE settings using an Océ supplied interface accessed remotely over a network connection. They are trusted by the customer and are adequately trained. They are capable

of making mistakes. They access the TOE via its network card from a remote location on the customer LAN. They do not access the TOE via the service network link.

S.SERVICE_ENGINEER A person with elevated privileges above those of S.OPERATOR and S.REMOTE_SYSADMIN. This person is an Océ representative and accesses the TOE through a dedicated network interface that is separated from the customer network interface. They are not malicious towards the TOE but are capable of making mistakes when operating it.

S.THIEF S.THIEF (cleaning staff, burglar, visitor, in rare cases a user) will have no moral issues in stealing the TOE or parts of it. Once S.THIEF has stolen the TOE or parts of it he may attempt to retrieve earlier print, scan and copy jobs from the TOE. S.THIEF is opportunistic and is not a recurring visitor to the environment in which the TOE operates.

3.1.3 Objects

The (data) objects for the TOE that the TOE will operate upon are:

- D.PRINT_JOB** A print job received by S.OPERATOR from S.REMOTE_USER, and submitted to the TOE.
- D.SCAN_JOB** Data that is scanned in via the S.DIGITAL_SCANNER peripheral attached to the Océ PRISMAsync. Data is sent from the TOE to a FTP or e-mail server located elsewhere on the network.
- D.COPY_JOB** Data that is scanned in via the S.DIGITAL_SCANNER peripheral attached to the Océ PRISMAsync. Data is returned from the TOE to the printer peripheral for rendering.
- D.INBOUND_TRAFFIC** TCP/IP, UDP/IP or ICMP network packets received by the TOE. D.INBOUND_TRAFFIC has the Security Attributes *Port* and *Protocol* associated with it.

3.1.4 Operations

The operations that are performed by the TOE are:

- R.PRINT_JOB** The TOE processes and releases a D.PRINT_JOB to the attached S.DIGITAL_PRINTER peripheral.
- R.SCAN_JOB** The TOE processes and releases a D.SCAN_JOB to the attached network though S.NETWORK_DEVICE.
- R.COPY_JOB** The TOE processes and releases a D.COPY_JOB to the attached S.DIGITAL_PRINTER peripheral.

-
- R.SHRED_JOB The TOE shreds released D.PRINT_JOB, D.SCAN_JOB and D_COPY_JOB data objects from the TOE's hard disk.
- R.ENTER_TOE The TOE allows D.INBOUND_TRAFFIC from S.NETWORK_DEVICE to enter its boundary.

3.2 Assumptions

- A.DIGITAL_PRINTER It is assumed that the TOE has a S.DIGITAL_PRINTER device attached to it. S.DIGITAL_PRINTER is part of the Océ VP41x0 MFD. It is assumed that for EAL2, that the interface from the Océ PRISMAsync to the S.DIGITAL_PRINTER will not be used to mount an attack and that the interface is only used for the purposes of printing.
- A.DIGITAL_SCANNER It is assumed that the TOE has an S.DIGITAL_SCANNER device attached to it. S.DIGITAL_SCANNER is part of the Océ VP41x0 R2.1MFD. It is assumed that for EAL2, that the interface from the Océ PRISMAsync to the S.DIGITAL_SCANNER will not be used to mount an attack and that the interface is only used for the purposes of scanning.
- A.LUI It is assumed that the TOE has a S.LUI device attached to it. S.LUI is part of the Océ VP41x0 MFD. It is assumed that for EAL2, the interface from the LUI to the Océ PRISMAsync will not be used to mount an attack as the TOE security functions cannot be accessed via this interface and the interface is only used for the purposes of printing, scanning and copying.
- A.ENVIRONMENT The TOE assumes that its operational environment is a repro-room contained within a regular office environment. Physical access to the operational environment is restricted to S.OPERATOR and S.SERVICE_ENGINEER. The office environment also contains non-threatening office personnel (S.OPERATOR, S.REMOTE_USER, S.REMOTE_SYSADMIN and S.SERVICE_ENGINEER). S.THIEF is only rarely present in this environment and not on a recurring basis.
- A.SECURITY_POLICY It is assumed that the customer will have a Security Policy governing the use of IT products by employees in the customer organisation. The TOE assumes that the network to which it is attached is protected by security measures that are intended to prevent mal-ware, viruses and network traffic, not related to the working of the operational environment, entering the network to which it is attached. Although the Virus database files and various patches are kept up to date, the policy recognises that new threats emerge over time and that occasionally they may enter the environment from outside and

provides measures to help limit the damage. The Policy will define how IT products are protected against threats originating from outside the customer organisation. The organisation's employees are aware of, are trained in and operate according to the terms and conditions of the policy. The policy also covers physical security and the need for employees to work in a security aware manner including the usage of the TOE. The Security Policy describes and requires a low to medium level of assurance (EAL2) for the TOE.

A.SLA It is assumed that any security flaws discovered in the TOE will be repaired by Océ (possibly as part of an agreed service level agreement).

3.3 Threats

T.RESIDUAL_DATA S.THIEF steals the TOE or parts thereof and retrieves stored or deleted D.PRINT_JOB, D.SCAN_JOB and D.COPY_JOB. The motivation for S.THIEF to attack the TOE is low because it requires sophisticated data recovery equipment that can recover data even after the shredding mechanism has executed to recover data that has little value to the attacker.

T.MALWARE An S.NETWORK_DEVICE is used by malware that may have entered the TOE's operational environment to launch an attack on the integrity of the TOE. The motivation to carry out this attack is low.

3.4 Organisational Security Policies

P.JOB_DELETE When D.PRINT_JOB, D.SCAN_JOB and D.COPY_JOB objects are no longer needed by the TOE, they will be deleted by the TOE at the earliest available opportunity in a manner that meets a recognised standard.

P.TOE_ADMINISTRATION The modification of TOE security settings shall be restricted to S.SERVICE_ENGINEER and S.REMOTE_SYSADMIN.

4. Security Objectives

4.1 TOE Security Objectives

This section consists of two groups of objectives:

- Functional Security Objectives for the TOE, that deal with what the TOE must do;
- Assurance Security Objectives for the TOE, that deal with how much assurance one should have in that the TOE does what it is expected to.

4.1.1 Functional Security Objectives for the TOE

O.F.INBOUND_FILTER The TOE will only support TCP/IP, UDP/IP and ICMP as a network protocol. D.INBOUND_TRAFFIC shall only enter the TOE (R.ENTER_TOE) if its Port is specified as being open in Appendix D.

O.F.JOB_SHRED The TOE shall delete all D.PRINT_JOB, D.SCAN_JOB and D.COPY_JOB data as soon as it is no longer required. During the start-up procedure, any residual D.PRINT_JOB, D.SCAN_JOB and D.COPY_JOB located in the TOE's hard disk (including the swap file) is deleted. The first write cycle occurs after the job has been deleted and the other remaining cycles occur once the TOE enters an idle state. The data shall be deleted according to a recognised standard so that it cannot be reconstituted.

O.F.AUTHENTICATE The TOE ensures that S.REMOTE_SYSADMIN and S.SERVICE_ENGINEER must authenticate themselves to the TOE before allowing them to modify the TOE security settings.

4.1.2 Assurance Security Objectives for the TOE

O.A.SLA The TOE shall be evaluated to ALC_FLR.1

4.2 Security Objectives for the environment

O.E.ENVIRONMENT The environment into which the TOE will be introduced is protected by physical measures that limit access to S.OPERATOR, and S.SERVICE_ENGINEER. The physical measures are adequate to prevent all other persons but not a determined S.THIEF who deliberately wants to steal a part of or the entire TOE by methodically planning an attack on the TOE over a period of time.

O.E.NETWORK_POLICY The network to which the TOE is attached shall be adequately protected so that the TOE is not visible outside the network. In

addition, measures shall be implemented to only allow connections to the TOE from devices situated on the same network. No inbound connections from external networks are allowed. The network scans data for mal-ware (viruses and worms). This type of data may originate from either inside or outside the network to which the TOE is attached and includes the TOE itself.

O.E.DEPLOYMENT The network (LAN) to which the TOE is attached is well managed with established procedures for introducing and attaching new devices to the network.

O.E.LOCAL_INTERFACE The environment into which the TOE will be introduced shall contain an Océ VP41x0 MFD that provides a Local User Interface and Glass Plate through which S.OPERATOR can interact easily with the TOE to manage the print queue. When sending a D.PRINT_JOB to the Océ PRISMAsync, S.OPERATOR will ensure the print job is deleted from the TOE during the same working day either by printing not using the TOE waiting room, or deleting the jobs manually from the automatic print queue or waiting room. Additionally, S.REMOTE_SYSADMIN can remove all jobs in the waiting room at any time. The Océ PRISMAsync MFD peripheral provides a glass plate and LUI with which S.OPERATOR can perform print, scan and copy jobs. The ST claim is not valid when the TOE is used with any other type of Océ MFD. The TOE will not work with any other device (including Digital MFD Products from any other manufacturers).

5. IT Security Requirements

5.1 TOE Security Functional Requirements

5.1.1 SFRs for Filtering

FDP_ACC.1 Subset access control

FDP_ACC1.1 The TSF shall enforce the **NETWORK_POLICY** on:

- **D.INBOUND_TRAFFIC**

Dependencies: FDP_ACF.1 (included)

FDP_ACF.1 Security attributes based access control

FDP_ACF1.1 The TSF shall enforce the **NETWORK_POLICY** to objects based on **the following:**

- **Port;**
- **Protocol.**

FDP_ACF.1.2 The TSF shall enforce the following rules to determine if an operation among controlled subjects and controlled objects is allowed:

- **The TOE shall perform R.ENTER_TOE on D.INBOUND_TRAFFIC only if Port(D.INBOUND_TRAFFIC) = ICMP, LPR, HTTP, HTTPS, SNMP and Protocol = TCP/IP or UDP/IP**

FDP_ACF.1.3 The TSF shall explicitly authorise access of subjects to objects based on the following additional rules:

- **none**

FDP_ACF.1.4 The TSF shall explicitly deny access of subjects to objects based on the following additional rules:

- **none**

Dependencies: FDP_ACC.1 (included)

FMT_MSA.3 (included)

5.1.2 SFRs for Shredding

FDP_RIP.1 Subset residual; information protection

FDP_RIP.1.1⁸ The TSF shall ensure that any previous information content of a resource is made unavailable upon the **deallocation of the resource** from the following objects:

D.PRINT_JOB, D.SCAN_JOB, and D_COPY_JOB

- **On deletion of R.PRINT_JOB, R.COPY_JOB and R.SCAN_JOB by S.OPERATOR, S.REMOTE_SYSADMIN or S.SERVICE_ENGINEER,**
- **On TOE start-up or TOE reboot.**⁹

Dependencies: No dependencies.

5.1.3 SFRs for Management

FIA_UID.2 User identification before any action

FIA_UID.2.1 The TSF shall require **S.REMOTE_SYSADMIN and S.SERVICE_ENGINEER** to identify **themselves** before allowing any other TSF-mediated actions on the behalf of that user.

Dependencies: No dependencies.

FIA_UAU.2 User authentication before any action

FIA_UAU.2.1 The TSF shall require **S.REMOTE_SYSADMIN and S.SERVICE_ENGINEER** to be successfully authenticated before allowing any other TSF-mediated actions on the behalf of that user.

Dependencies: FIA_UID.1 (hierarchical component included)

FMT_MOF.1 Management of security functions behaviour (S.REMOTE_SYSADMIN)¹⁰

FMT_MOF.1.1 The TSF shall restrict the ability to **modify the behaviour of the functions described in appendix E for S.REMOTE_SYSADMIN to S.REMOTE_SYSADMIN.**

Dependencies: FMT_SMF.1 (included)
FMT_SMR.1 (included)

⁸ This is a refinement to show when the de-allocation is to take place. When you delete a file, the OS modifies the relevant entry from the file allocation table. The data remains on the hard disk and can be retrieved with suitable tools. This is why the TOE shreds the data. What is happening is that:

- When the job manager discards data, it moves the data reference in the file allocation table to a location that is dedicated to the E-shred subsystem.
- The E-shred subsystem then erases the data (makes the data unavailable) by overwriting the data several times.
- The E-shred service then removes the reference to the erased data from the file allocation table so that the erased disk resources can be re-used.

⁹ The Océ PRISMASync can experience errors and sometimes require restarting to handle these errors (or users restart the photocopier anyway in an attempt to handle these errors). It is therefore important that the photocopier also deletes data whenever it is restarted.

¹⁰ Note that this SFR relates to administration via the HTTPS connection. There are no TSF mediated actions that can be managed via the SNMP connection.

FMT_MOF.1 Management of security functions behaviour (S.SERVICE_ENGINEER)

FMT_MOF.1.1 The TSF shall restrict the ability to **modify the behaviour** of the functions **described in appendix E for S.SERVICE_ENGINEER** to **S.SERVICE_ENGINEER**.

Dependencies: FMT_SMF.1 (included)
FMT_SMR.1 (included)

FMT_MSA.1 Management of security attributes

FMT_MSA.1.1 The TSF shall enforce the **NETWORK_POLICY** to restrict the ability to **change the default** ¹¹ security attributes **Port and Protocol** to **nobody**.¹²

Dependencies: FDP_ACC.1 (included)
FMT_SMF.1 (included)
FMT_SMR.1 (included)

FMT_MSA.3 Static Attribute initialisation

FMT_MSA.3.1 The TSF shall enforce the **NETWORK_POLICY** to provide **restrictive** default values for security attributes that are used to enforce the SFP.

FMT_MSA.3.2 The TSF shall allow **nobody**¹³ to specify alternative initial values to override the default values when an object or information is created.

Dependencies: FMT_MSA.1 (included)
FMT_SMR.1 (included)

FMT_SMF.1 Specification of Management Functions

FMT_SMF.1.1 The TSF shall be capable of performing the following security management functions as described in appendix E:

Functions related to R.SHRED_JOB that are available to S.REMOTE_SYSADMIN and S.SERVICE_ENGINEER

- **Set the number of shred runs**¹⁴

Dependencies: No dependencies.

¹¹ For grammatical and clarity reasons, the underscore between change and default was removed and the word 'the' before security attributes was moved to between 'change' and 'default'.

¹² The TOE does not allow any users to change any security attributes in the evaluated configuration.

¹³ The word 'the' before 'nobody' was removed for grammatical reasons.

¹⁴ Note that this is the only setting which is available in security mode high, the evaluated configuration.

FMT_SMR.1 Security roles

FMT_SMR.1.1 The TSF shall maintain the roles **S.REMOTE_SYSADMIN**, **S.SERVICE_ENGINEER**, **S.REMOTE_USER** and **S.OPERATOR**.

FMT_SMR.1.2 The TSF shall be able to associate users with roles.

Dependencies: FIA_UID.1 (hierarchical component included)

5.1.4 SFRs for Protection of the TSF itself

FPT_SEP.1 TSF domain separation

FPT_SEP1.1 The TSF shall maintain a security domain for its own execution that protects it from interference and tampering by untrusted subjects.

FPT_SEP.1.2 The TSF shall enforce separation between the security domains of subjects in the TSC.

Dependencies: No dependencies.

FPT_RVM.1 Non-bypassability of the TSP

FPT_RVM.1.1 The TSF shall ensure that TSP enforcement functions are invoked and succeed before each function within the TSC is allowed to proceed.

Dependencies: No dependencies

5.1.5 Strength-of-function claim

The Strength of function claim for all the probabilistic functions and mechanisms provided by the TOE is SOF-basic.

5.2 TOE Security Assurance Requirements

The TOE security assurance requirements are conformant to the CC Evaluation Assurance Level EAL2 +ALC_FLR.1. In detail the following Security Assurance Requirements are chosen for the TOE:

Components for Configuration management (**Class ACM**)

ACM_CAP.2 Configuration Items

Components for Delivery and operation (**Class ADO**)

ADO_DEL.1 Delivery procedures

ADO_IGS.1 Installation, generation, and start-up procedures

Components for Development (**Class ADV**)

- ADV_FSP.1 Informal functional specification
- ADV_HLD.1 Descriptive high-level design
- ADV_RCR.1 Informal correspondence demonstration

Components for Guidance documents (**Class AGD**)

- AGD_ADM.1 Administrator guidance
- AGD_USR.1 User guidance

Components for Life cycle support (**Class ALC**)

- ALC_FLR.1 Basic flaw remediation

Components for Tests (**Class ATE**)

- ATE_COV.1 Evidence of coverage
- ATE_FUN.1 Functional testing
- ATE_IND.2 Independent testing – sample

Components for Vulnerability assessment (**Class AVA**)

- AVA_SOF.1 Strength of TOE security function evaluation
- AVA_VLA.1 Developer vulnerability analysis

5.3 Security Requirements for the IT Environment

None¹⁵.

5.4 Explicitly stated requirements

None.

¹⁵ The ST defines security objectives for the IT environment in which the TOE will operate. In accordance with the Common Criteria Standard, these objectives are not mapped to Security Requirements for the IT Environment.

6. TOE Summary Specification

6.1 IT Security Functions

SF.FILTERING

The TOE uses a built-in firewall to block ports that are not needed for the operation of the TOE. In addition no network protocols that are not supported by the evaluated configuration are enabled.

By default no traffic is permitted to enter the TOE from the network to which it is attached, except for the supported network packets via the ports defined in the rule table described in Appendix D.

SF.SHREDDING

Once a print, copy or scan job has been deleted, the data is overwritten. It is possible to perform multiple write cycles, with various patterns being applied. At least three write cycles will always take place. The first write cycle starts after the job has been deleted and to improve job throughput performance, all other remaining cycles are done once the TOE enters an idle state. The shredding mechanism supports US DOD 5220-22m and Gutmann algorithms¹⁶.

SF.MANAGEMENT

The TOE can be managed in relation to SF.SHREDDING. In order to gain access, the S.REMOTE_SYSADMIN or S.SERVICE_ENGINEER must authenticate themselves to the TOE. S.SERVICE_ENGINEER does this by entering a PIN. S.REMOTE_SYSADMIN authenticates himself by entering a password. The TOE is delivered by Océ with the most restrictive set of operational settings.

6.1.1 Probabilistic functions and mechanisms

The TOE contains probabilistic functions and mechanisms in the form of passwords and PIN numbers that are used for the authentication of S.REMOTE_SYSADMIN and S.SERVICE_ENGINEER respectively.

¹⁶ See Appendix B – References for more information relating to these algorithms

Subject	Function	Mechanism
S.REMOTE_SYSADMIN	SF.MANAGEMENT, SF.SHREDDING	<p>For the HTTPS connection, an alpha-numeric password (ASCII characters 32-127) ranging in length between 8 and 50 characters is required. After the first failed attempt, a delay mechanism is invoked.</p> <p>There are no security management functions or access to the assets that the TOE protects that are accessible via the SNMP connection.</p>
S.SERVICE_ENGINEER	SF.MANAGEMENT, SF.SHREDDING	A fixed length numeric pin code of 6 digits.

6.1.2 Strength of function claim

The SFRs FIA_UID.2 and FIA_UAU.2 require the TOE to provide security functions that provide identification/authentication functionality that meets a SOF claim of ‘SOF basic’.

A strength of function claim of ‘SOF basic’ is made for the security function SF.MANAGEMENT. This is the security function that implements FIA_UID.2 and FIA_UAU.2.

6.2 Assurance Measures

Appropriate assurance measures are employed to satisfy the security assurance requirements. The following list gives a mapping between the assurance requirements and the documents containing the information needed for the fulfilment of the respective requirement.

Configuration Management (ACM) assurance measures

The documents containing the description of the configuration management system as required by ACM and how it is used are:

- Configuration Management List for the Océ PRISMAsync Controller (PS) R11.9.81.15 as used in the Océ VarioPrint 4110/4120 printer/copier/scanner release 2.1 products, version 1.13

Delivery and Operation (ADO) assurance measures

The document containing the description of all steps necessary for secure installation, generation and start-up of the TOE is:

- Software development and delivery for the Océ PRISMAsync Controllers, version 4.1

Development (ADV) assurance measures

The developer documentation for ADV functional specifications can be found in:

- Functional Specification for the Océ PRISMAsync 11.9.81.15 as used in the Océ VP41x0 R2.1, version 1.5
- High Level Design for the Océ PRISMAsync 11.9.81.15 as used in the Océ VP VP41x0 R2.1, version 1.4.

Guidance (AGD) assurance measures

The document containing the guidance for Océ service engineers is maintained on the service engineers' laptop with the reference:

- Océ VarioPrint 4110/4120 Security service documentation, Edition 2009-10

It is not a publicly available document.

The guidance for the customer administrators and users is in:

- Océ VarioPrint 4110/4120 Administrator settings and tasks, Edition 2009-05
- Océ VarioPrint 4110/4120 Manual type Operating information, version 2008-11
- Océ VarioPrint 4110/4120 Common Criteria certified configuration of the Océ PRISMAsync, Edition 2009-09

Life Cycle (ALC) assurance measures

The physical, procedural, personnel and other security measures applied by the developer can be found in:

- Flaw remediation for Océ printer/copier/scanner/products

Test (ATE) assurance measures

The developer test documentation can be a test analysis showing that the tests cover the entire functional specification can be found in:

- Test Specification for the Common Criteria Evaluated Security Functionality implemented in the Océ PRISMAsync Controller, version 2.7

Vulnerability Assessment (AVA) assurance measures

An analysis of vulnerabilities can be found in:

- Strength of function analysis the Océ PRISMAsync 11.9.81.15 as used in the Océ VP41x0 R2.1, version 1.5
- Vulnerability analysis for the Océ PRISMAsync 11.9.81.15 as used in the Océ VarioPrint 4110/4120 printer/copier/scanner Release 2.1, version 1.4.
- VP41x0 Vulnerability Analysis, Internal Report
- VP41x0 Penetration Tests, Internal Report
- PRISMAsync Common Criteria Security test results, Internal Report

7. PP Claims

This Security Target TOE does not claim compliance to a Protection Profile.

8. Rationale

8.1 Security Objectives Rationale

For each assumption, threat and OSP we demonstrate that it is met by the security objectives. The tracings are provided in the following table.

	O.F.INBOUND_FILTER		O.F.JOB_SHRED	O.F.AUTHENTICATE	O.A.SLA	O.E.ENVIRONMENT	O.E.NETWORK_POLICY	O.E.DEPLOYMENT	O.E.LOCAL_INTERFACE	
A.DIGITAL_PRINTER									X	
A.DIGITAL_SCANNER									X	
A.LUI									X	
A.ENVIRONMENT						X				
A.SECURITY_POLICY							X	X	X	
A.SLA					X					
T.RESIDUAL_DATA			X							
T.MALWARE	X									
P.TOE_ADMINISTRATION				X						
P.JOB_DELETE			X							

The individual rationales demonstrating that the threats, assumptions and organizational security policies are met are described as follows:

A.DIGITAL_COPIER

The assumption is met by the following TOE assurance objective:

O.E.LOCAL_INTERFACE - The environment into which the TOE will be introduced shall contain an Océ VP41x0 MFD that provides a Local User Interface and Glass Plate through which S.OPERATOR can interact easily with the TOE to manage the print queues. When sending a D.PRINT_JOB to the Océ PRISMAsync, S.OPERATOR is aware that they must delete the job on the same workday that it is sent to the TOE, whether or not it is used. Requiring job data to be deleted from the TOE on the same workday it is sent reduces the time available to an attacker in which the data object is vulnerable. The MFD provides a glass plate and LUI with which S.OPERATOR can perform print/copy/scan jobs. The ST claim is not valid when the TOE is used with any other type of Océ MFD. The TOE will not work with any other device (including Digital MFD Products from any other manufacturers).

Although the assumption states that a VP41x0 MFD from Océ will be used, the MFD is an untrusted device.

A.ENVIRONMENT

The assumption is met by the following objectives for the environment:

O.E.ENVIRONMENT - The environment into which the TOE will be introduced is protected by physical measures that limit access to S.OPERATOR, and S.SERVICE_ENGINEER. The physical measures are adequate to prevent all other persons but a determined S.THIEF who deliberately wants to steal a part of or the entire TOE by methodically planning an attack on the TOE over a period of time.

A.SECURITY_POLICY

The assumption is met by the following objectives for the environment:

O.E.NETWORK_POLICY - The network to which the TOE is attached shall be adequately protected so that the TOE is not visible outside the network. In addition, measures shall be implemented to only allow connections to the TOE from devices situated on the same network. No inbound connections from external networks are allowed. The network scans data for malware (viruses and worms). This type of data may originate from either inside or outside the network to which the TOE is attached and includes the TOE itself.

O.E.DEPLOYMENT - The network (LAN) to which the TOE is attached is well managed with established procedures for introducing and attaching new devices to the network.

O.E.LOCAL_INTERFACE - The environment into which the TOE will be introduced shall contain an Océ VP41x0 that provides a Local User Interface and Glass Plate through which S.OPERATOR can interact easily with the TOE to manage the print queues. When sending a D.PRINT_JOB to the Océ PRISMAsync, S.OPERATOR is aware that they must delete the job on the same workday that it is sent to the TOE, whether or not it is printed. The MFD provides a glass plate and LUI with which S.OPERATOR can perform print/copy/scan jobs. The ST claim is not valid when the TOE is used with any other type of Océ MFD. The TOE will not work with any other device (including Digital MFD Products from any other manufacturers).

A.SLA

The assumption is met by the following TOE assurance objective:

O.A.SLA - The TOE shall be evaluated to ALC_FLR.1. There are measures in place to repair faults in the TOE when they occur.

T.RESIDUAL_DATA

The threat is met by the following TOE functional objective:

O.F.JOB_SHRED - The TOE shall delete all D.PRINT_JOB, D.SCAN_JOB and D.COPY_JOB data as soon as it is no longer required or during the start-up procedure if residuals D.PRINT_JOB, D.SCAN_JOB or D.COPY_JOB are found on the TOE's hard disk (including the swap file). The first write cycle starts immediately after the job has deleted and the rest are completed once the TOE enters an idle state. The data shall be deleted according to a recognised standard so that it cannot be reconstituted.

'Scrubbing' the data from the hard disk when it is no longer needed helps prevent the data been accessed by unauthorised persons.

T.MALWARE

The threat is met by the following objectives for the environment:

O.F.INBOUND_FILTER - The TOE will only support TCP/IP, UDP/IP and ICMP as a network protocol. D.INBOUND_TRAFFIC shall only enter the TOE (R.ENTER_TOE) if the Port is specified as being open in Appendix D.

The chances of mal-ware being accidentally sent to the TOE and causing a security violation is limited by only opening the ports and enabling the protocols that are absolutely necessary for the operation of the TOE.

Although the TOE is designed, tested and configured with security as a main concern, it is possible that vulnerabilities will be discovered in the future that could be exploited in order to use the TOE as a launch pad for an attack. By only opening the ports and enabling the protocols that are absolutely necessary for the operation of the TOE, the chances of a successful attack launch are limited.

P.JOB_DELETE

The policy requirement is met by the following TOE functional objective:

O.F.JOB_SHRED - The TOE shall delete all D.PRINT_JOB, D.SCAN_JOB and D.COPY_JOB data as soon as it is no longer required or if during the start-up procedure residual .PRINT_JOB, D.SCAN_JOB and D.COPY_JOB are found on the TOE's hard disk (including the swap file). The first write cycle starts immediately after the job has deleted and the remaining cycles are completed once the TOE enters an idle state. The data shall be deleted according to a recognised standard so that it cannot be reconstituted.

'Scrubbing' the data from the hard disk when it is no longer needed helps prevent the data been accessed by unauthorised persons.

P.TOE_ADMINISTRATION

The policy requirement is met by the following TOE functional objective:

O.F.AUTHENTICATE - The TOE ensures that S.REMOTE_SYSADMIN and S.SERVICE_ENGINEER must identify and authenticate themselves to the TOE before allowing them to modify the TOE security settings.

8.2 Security Requirements Rationale

The purpose of the Security Requirements Rationale is to demonstrate that the security requirements are suitable to meet the Security Objectives.

8.2.1 The SFRs meet the Security Objectives for the TOE

For each Security Objective for the TOE we demonstrate that it is met by the SFRs. The tracings are provided implicitly by the rationales.

	FDP_ACC1	FDP_ACF1		FDP_RIP1	EIA_LIM2	EIA_LIM2	FMT_MOE1	FMT_MSA1	FMT_MSA3	FMT_SME1	FMT_SMR1	FPT_SEP1	FPT_RVM1
O.F.INBOUND_FILTER	X	X						X	X			X	X
O.F.JOB_SHREAD				X								X	X
O.F.AUTHENTICATE					X	X	X			X	X	X	X

The individual rationales demonstrating the objectives are met are described as follows:

O.F.INBOUND_FILTER

FDP_ACC.1 Subset access control

Inbound traffic is filtered so that only traffic relating to the operation of the TOE is allowed to enter the TOE. This SFR supports the security objective by restricting the TOE data flow to only that that is necessary for the operation of the TOE. This reduces the number of vulnerable entry points.

FDP_ACF.1 Security attributes based access control

All ports that are not necessary for the operation of the TOE as described in this document are blocked. This SFR supports the security objective by reducing the number of entry points that could be vulnerable to attack.

FMT_MSA.1 Management of security attributes

The TOE is delivered pre-configured to the customer. This SFR supports the objective by ensuring that it is not possible for any user (including S.SERVICE_ENGINEER and S.REMOTE_SYSADMIN) to change the settings of the firewall mechanism.

FMT_MSA.3 Static Attribute initialisation

In order to change the security attributes of the TOE the management interfaces provided for S.SERVICE_ENGINEER and S.REMOTE_SYSADMIN must be used. This SFR supports the objective by ensuring that the TOE provides restrictive default security related settings that require no additional modification by SERVICE_ENGINEER or S.REMOTE_SYSADMIN. Nobody is allowed to create new settings with alternative values.

FPT_RVM.1 Non-bypassability of the TSP

In order for data to enter or leave the TOE it must pass through the filtering mechanism. This SFR supports the security objective by ensuring that TSF cannot be bypassed, resulting in a direct line between the network to which the TOE is attached and the TOE being created.

FPT_SEP.1 TSF domain separation

Filtering of network traffic occurs is an area of the TOE that is separate to non-TSF related operation. This SFR supports the objective by ensuring that the filtering mechanism is protected by it not being exposed to non TSF mechanisms from which a possible attack could be made.

O.F.JOB_SHRED

FDP_RIP.1 Subset residual; information protection

This SFR supports the objective by ensuring that once print, copy or scan job is no longer needed and during the startup procedure, if residual print or scan job data is found then the related data will be electronically shredded from the hard disk. The SFR has been refined to describe the moment when the data will be shredded.

FPT_RVM.1 Non-bypassability of the TSP

Print and scan jobs must pass through the shredding mechanism. This SFR supports the objective by ensuring that print and scan jobs cannot leave the TOE except in the authorised manner.

FPT_SEP.1 TSF domain separation

Shredding occurs is an area of the TOE that in separate to non-TSF related operation. This SFR supports the objective by ensuring that the shredding mechanism is protected by it not being exposed to other non TSF-mechanisms from which a possible attack could be made.

O.F.AUTHENTICATE

FIA_UID.2 User identification before any action

S.REMOTE_SYSADMIN and S.SERVICE_ENGINEER must identify themselves to the TOE before any TOE management actions can be performed.

FIA_UAU.2 User authentication before any action

S.REMOTE_SYSADMIN and S.SERVICE_ENGINEER must authenticate themselves to the TOE before any TOE management actions can be performed.

FMT_SMF.1 Specification of Management Functions

The functions that can be performed by either the S.REMOTE_SYSADMIN or S.SERVICE_ENGINEER are defined.

FMT_MOF.1 Management of security functions behaviour

Only TOE administrators and Océ technicians can use security related functions.

FMT_SMR.1 Security roles

The TOE shall make a distinction between administrators and ordinary users.

FPT_RVM.1 Non-bypassability of the TSP

Users other than S.REMOTE_SYSADMIN and S.SERVICE_ENGINEER cannot gain access to security management functions of the TOE without begin first controlled by the mechanisms specified in this document.

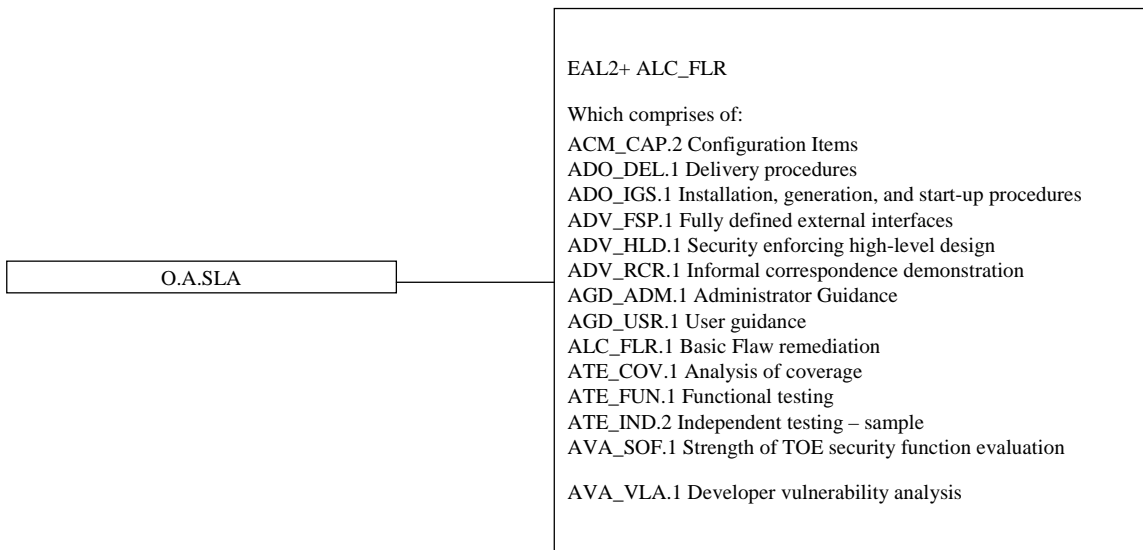
FPT_SEP.1 TSF domain separation

Identification and authentication of users occurs in an area of the TOE that is separate to non-security related operation.

8.2.2 The security requirements for the IT environment meet the security objectives for the environment

The TOE does not make any security requirements on its environment.

8.2.3 The Assurance Requirements and Strength of Function Claim are appropriate



The Assurance Requirements consist of EAL 2 requirements components. The TOE is a commercially available device produced by a well-known manufacturer and most importantly, provides a limited set of security related functionality. The TOE has been structurally tested by Océ and is suitable for environments that require a low to moderate level of independently assured security. The developer works in a consistent manner with good commercial practice.

Occasionally the TOE may develop a problem that requires S.SERVICE_ENGINEER to make a visit to the customer location in order to repair the TOE. Océ has procedures that support these processes and for this reason the assurance requirements have been augmented with the following assurance classes as the developer is able to meet them:

- Components for Life cycle support (Class ALC)
 - ALC_FLR.1 Basic Flaw Remediation

The evaluation of the TOE security mechanisms at AVA_VLA.1 is designed to provide assurance the exploit of obvious vulnerabilities by an attacker with a low attack potential. Therefore the SOF claim is SOF-basic. This strength of function claim is consistent with the security objectives for the TOE and the defined TOE assumptions that have been made.

8.2.4 All dependencies have been met

The following dependencies are identified and met: FDP_ACF.1, FDP_ACC.1, FMT_MSA.1, FMT_MSA.3, FIA_UID.2, FMT_SMF.1, FMT_SMR.1.

8.2.5 The requirements are internally consistent

Because the assurance requirements form a package (EAL 2) they are internally consistent. The addition of ALC_FLR.1 does not cause inconsistencies with the EAL 2 package.

The functional requirements and assurance requirements do not have any dependencies between them, and are therefore completely independent of each other. Because both functional and assurance requirements are internally consistent, and they are independent, the requirements are internally consistent.

8.2.6 The requirements are mutually supportive

The requirements are complete and do not cause inconsistencies, therefore the requirements are considered to be mutually supportive. (This argument has been based on section 9.3.8 of Guide for the production of PPs and STs, PDTR 15446 N2449).

8.3 TOE Summary Specification Rationale

8.3.1 The functions meet the SFRs

For each SFR we demonstrate that it is met by the Security Functions. The tracings are provided implicitly by the rationales.

	FDP_ACC1	FDP_ACF1			FDP_RIP1	FIA_UID.2	FIA_IATI.2	EMFT_MDF1	EMFT_MSA1	EMFT_MSA2	EMFT_SME1	EMFT_SMR1	EMFT_SEP1	EPT_RVM1
SF.FILTERING	X	X							X	X			X	X
SF.SHREDDING					X								X	X
SF.MANAGEMENT						X	X	X	X	X	X	X	X	X

FDP_ACC.1

This Security Functional Requirement ensures that only traffic is allowed to enter the TOE that is relevant to its operation. This SFR is supported by SF.FILTERING that restricts flow of network traffic and limits the supported network protocols.

FDP_ACF.1

This Security Functional Requirement ensures that all ports that are non-essential to the operation of the TOE are blocked. This SFR is supported by SF.FILTERING. SF.FILTERING expands on the restricted flow of network traffic and supported network protocols by defining which ports are open and which protocols are supported.

FDP_RIP.1

This Security Functional Requirement ensures requires that residual information relating to D.PRINT_JOB, D.COPY_JOB and D.SCAN_JOB is deleted once they are no longer needed or during the startup procedure, if residual print or scan job data is found on the hard disk (including the swap file). The SFR has been refined to describe the moment when the data will be shredded. This SFR is supported by SF.SHREDDING that provides functionality that ensures the data objects detailed above are shredded in accordance with known standards. This SFR helps to reduce the amount of sensitive data present on the hard disk in the event of it being stolen.

FIA_UID.2

This Security Functional Requirement ensures that administrators correctly identify themselves to the TOE before security management functions can be used. This SFR is supported by SF.MANAGEMENT and provides functionality whereby administrators (S.REMOTE_SYSADMIN and S.SERVICE_ENGINEER) can identify themselves to the TOE. This helps to restrict access to security management functions and thereby reduces the risk of modification being made to the TOE settings by unauthorised users.

FIA_UAU.2

This Security Functional Requirement ensures that administrators correctly authenticate themselves to the TOE before security management functions can be used. This SFR is supported by SF.MANAGEMENT and provides functionality whereby administrators (S.REMOTE_SYSADMIN and S.SERVICE_ENGINEER) can authenticate themselves to the TOE. This helps to restrict access to security management functions and thereby reduces the risk of modification being made to the TOE settings by unauthorised users.

FMT_MOF.1

This Security Functional Requirement ensures that the TOE management functions are only used by either the Océ technician (S.SERVICE_ENGINEER) or customer system administrator (S.REMOTE_SYSADMIN). This SFR is supported by SF.MANAGEMENT and ensures that non-administrators cannot administer the TOE.

FMT_MSA.1

This Security Functional Requirement ensures that the TOE management functions related to the filter mechanism settings cannot be changed. This SFR is supported by SF.MANAGEMENT that ensures that filter related settings cannot be changed by administrators.

FMT_MSA.3

This Security Functional Requirement ensures that the TOE management functions related to the filter mechanism settings are given default values. This SFR is supported by SF.MANAGEMENT that ensures that the filter related settings are pre-configured before delivery to the customer.

FMT_SMF.1

This Security Functional Requirement ensures that the TOE management functions are defined. This SFR is supported by functions made available by SF.MANAGEMENT and defines the set of operations that are available to the Océ technician (S.SERVICE_ENGINEER) or customer system administrator (S.REMOTE_SYSADMIN) that are needed to administrate the TOE.

FMT_SMR.1

This Security Functional Requirement ensures that the TOE makes a distinction between security related roles and normal users. This SFR is supported by SF.MANAGEMENT. This SFR is supported by SF.MANAGEMENT and ensures that non-administrators cannot administer the TOE.

FPT_SEP.1

This Security Functional Requirement ensures that the TSF operates in its own domain and cannot be influenced by external sources. This requirement is met by the physical characteristics of the TOE that comprises software that uses a generic PC hardware platform. The Océ PRISMAsync only provides functionality related to the operation of the TOE and does not have dual function, for example, as an office file server. The nature of the TOE is such that evaluation at EAL2 provides a suitable level of assurance that the TSF operates in its own domain.

The operation of the TSF in its own domain provides the following:

1. The filtering mechanisms are in a separate domain to the rest of the non-security related operations that the TOE performs. This SFR is supported by SF.FILTERING. This protects the integrity of the filtering mechanism against un-authorized subjects and threat attacks.
2. The shredding mechanisms are in a separate domain to the rest of the non-security related operations that the TOE performs. This SFR is supported by SF.SHREDDING. This protects the integrity of the shredding mechanism against un-authorized subjects and threat attacks.
3. The TOE security management mechanisms are in a separate domain to the rest of the non-security related operations that the TOE performs. This SFR is supported by SF.MANAGEMENT. This protects the integrity of the security management mechanisms against un-authorized subjects and threat attacks.

FPT_RVM.1

This Security Functional Requirement ensures that no security related operations can be performed without being controlled by the TOE's security mechanisms. The Océ PRISMAsync provides a limited set of security functionality that is related to the operation of the TOE. The nature of the TOE is such that evaluation at EAL2 provides a suitable level of assurance that the only the TSF can perform security related operations.

This SFR is supported by SF.MANAGEMENT.

This Security Functional Requirement ensures that:

1. No filtering mechanisms can be performed without being controlled by the TOE's security mechanisms. This SFR is supported by SF.FILTERING.
2. No shredding mechanisms can be performed without being controlled by the TOE's security mechanisms. This SFR is supported by SF.SHREDDING.
3. No security related operations can be performed without being controlled by the TOE's security mechanisms. This SFR is supported by SF.MANAGEMENT.

8.3.2 The assurance measures meet the SARs

The statement of assurance measures has been presented in the form of a reference to the documents that show that the assurance measures have been met (CC Part 3 paragraph 188). This statement can be found in section 6.2.

8.3.3 The SOF-claims for functions meet the SOF-claims for the SFRs

The SFRs FIA_UAU.2, and FIA_UID.2 require the TOE to provide security functions that provide identification/authentication functionality that meets a SOF claim of 'SOF basic'.

This rational for this is that the claim must adequate to defend against the identified threats to the TOE that are identified in the TOE Security Environment for which a low attack potential exists.

The Security Function that is realised by probabilistic or permutational mechanisms is:

- SF.MANAGEMENT

The claim for this Security Function is 'SOF basic'. These Security Function is traced back to the TOE SFRs it implements in 8.3.1.

As the SOF claim for the Security Function is equal to the SOF claims for the TOE SFRs it implements, the SOF claims are consistent.

8.3.4 The functions are mutually supportive

The requirements are mutually supportive (see section 8.2.6) and the functions that implement these requirements are complete (see section 8.3.1). The functions are mutually supportive. (This argument has been based on section 9.3.8 of Guide for the production of PPs and STs, PDTR 15446 N2449).

8.4 PP Claims Rationale

This Security Target TOE does not claim conformance to any Protection Profile.

9. Appendix A Abbreviations

BSI	Bundesamt für Sicherheit in der Informationstechnik
ITSEF	IT Security Evaluation Facility
LUI	Local User Interface (attached to the Océ PRISMAsync via a USB connection) non-security related interface used to manage the print queues
MFD	Multifunctional device for copying, printing and scanning, connected to a network

10. Appendix B References

1. Secure Deletion of Data from Magnetic and Solid State Memory, Peter Guttman 1996 (http://www.cs.auckland.ac.nz/~pgut001/pubs/secure_del.html)
2. US Department of Defence Military Standard DOD 5220-22m (http://www.dss.mil/isecnispom_0195.htm)

11. Appendix C Glossary of Terms

Repro-room Reprographics room.

12. Appendix D Firewall rule table

The firewall rule table that is used by the Océ PRISMAsync for controlling the inbound flow of data is given below:

By default no traffic is permitted to enter the TOE except for the ports defined in the rule tables below.

ICMP(administration)

<i>Protocol</i>	<i>Destination Port</i>
ICMP	any

LPR (accepting print jobs)

<i>Protocol</i>	<i>Destination Port</i>
TCP	515

Web HTTPS server with HTTP redirect (administration)

<i>Protocol</i>	<i>Destination Port</i>
TCP	443
TCP	80

SNMP (non security functionality related administration)

<i>Protocol</i>	<i>Destination Port</i>
UDP	161

13. Appendix E Security Related Administration Functions

In this appendix the security related administration functions that are available to S.SERVICE_ENGINEER and S.REMOTE_SYSADMIN are detailed. The tables give the administration function name and a short description.

S.SERVICE_ENGINEER

Administration Function	Description
ResetSASPassword	Resets the S.REMOTE_SYSADMIN password to its default value

S.REMOTE_SYSADMIN & S.SERVICE_ENGINEER

Administration Function	Description
Security\Security level\enable high level	Enable/disable switch for high security level ¹⁷ (This must not be changed if the customer requires the CC evaluated configuration)
Security\E-shredding\Method	Shredding method (Dod, Guttmann, custom)
Security\E-shredding\Number of runs	Number of runs can be set from 3 to 35 when the 'Custom' shredding method is selected ¹⁸
System\System administrator PIN	Change S.REMOTE_SYSADMIN password

¹⁷ In high security mode shredding cannot be turned off.

¹⁸ When "DoD" is chosen, the number of passes is fixed to 3, and cannot be changed. When "Guttmann" is chosen, the number of passes is fixed to 35, and cannot be changed.

14. Appendix F XP Patches applied

KB888413	KB942830
KB918118	KB942831
KB921503	KB943055
KB924270	KB943460
KB924667	KB943485
KB925454	KB944338
KB925902	KB944338-v2
KB926247	KB944533
KB926255	KB944945
KB926436	KB945553
KB927779	KB946026
KB928090	KB947864
KB928255	KB948590
KB928388	KB948686
KB930178	KB948881
KB931784	KB950749
KB931836	KB950759
KB933360	KB950760
KB933566	KB950974
KB933729	KB951072
KB935839	KB951698
KB935840	KB951748
KB936021	KB952954
KB937143	KB953155
KB938829	KB953838
KB938464	KB953839
KB939373	KB953839
KB939653	KB954211
KB941568	KB956390
KB941644	KB956391
KB941693	KB956803
KB942527	KB956841
KB942615	KB957095
KB942763	

15. Distribution list

1. BSI
2. Océ Technologies BV
3. Brightsight