



ComblCAO Applet v2.2 in BAC and CA configuration on Cosmo V9.1

Public Security Target

FQR 550 0084 Ed 7



DOCUMENT EVOLUTION

Business Unit – Department	INSI – R&D
Document Title	CombICAO Applet v2.2 in BAC and CA configuration on Cosmo V9.1 Public Security Target
FQR No	550 0084
FQR Issue	7

DOCUMENT REVISION

Date	Revision	Modification
2020/03/17	1	Creation of the document
2020/04/13	2	Updated Platform version
2020/06/17	3	Updated reference of guidance documents
2021/01/14	4	Update following IAR FQR 220 1607 Ed2
2021/01/26	5	Update following Anssi remark: Update guidance edition
2023/03/20	6	Updates for surveillance
2025/12/08	7	Updates for reevaluation

Table of contents

INTRODUCTION	7
PRODUCT OVERVIEW.....	7
2.1 ST REFERENCE AND TOE REFERENCE.....	8
2.1.1 ST reference.....	8
2.1.2 TOE reference.....	8
2.2 TOE OVERVIEW	9
2.2.1 Usage and major security features of the TOE	9
2.2.2 TOE type	11
2.2.3 Required non-TOE hardware/Software/firmware	11
2.3 TOE DESCRIPTION	11
2.3.1 Physical scope of the TOE.....	11
2.3.2 TOE delivery.....	12
2.3.3 Logical scope of the TOE.....	13
2.3.4 Authentication Protocols.....	14
2.3.5 Machine Readable Travel Document (MRTD)	15
2.3.6 TOE life cycle.....	15
2.3.7 Development Environment.....	16
2.3.8 Production Environment	17
2.3.9 Preparation Environment	18
3.1 COMMON CRITERIA CONFORMANCE	19
3.2 PROTECTION PROFILE CONFORMANCE	19
3.2.1 Overview.....	19
4.1 ASSETS.....	21
4.1.1 Logical MRTD data	21
4.1.2 Miscellaneous	22
4.2 USERS / SUBJECTS.....	22
4.3 THREATS.....	24
4.4 ORGANISATIONAL SECURITY POLICIES	27
4.5 ASSUMPTIONS	28
5.1 SECURITY OBJECTIVES FOR THE TOE	30
5.2 SECURITY OBJECTIVES FOR THE OPERATIONAL ENVIRONMENT	32
5.2.1 Issuing State or Organization.....	32
5.2.2 Receiving State or Organization	34
5.2.3 Additional Security Objectives for the Operational Environment.....	35
5.3 SECURITY OBJECTIVES RATIONALE.....	35
5.3.1 Threats	35
5.3.2 Organisational Security Policies.....	37
5.3.3 Assumptions	38
5.3.4 SPD and Security Objectives	39
6.1 EXTENDED FAMILIES	43
6.1.1 Extended Family FAU_SAS - Audit data storage.....	43
6.1.2 Extended Family FCS_RND - Generation of random numbers.....	43
6.1.3 Extended Family FMT_LIM - Limited capabilities.....	44
6.1.4 Extended Family FPT_EMS - TOE Emanation.....	45
6.1.5 Extended Family FIA_API - Authentication Proof of Identity.....	46
7.1 SECURITY FUNCTIONAL REQUIREMENTS	47
7.1.1 Class FAU Security Audit.....	49
7.1.2 Class FCS Cryptographic Support	49
7.1.3 Class FIA Identification and Authentication.....	53
7.1.4 Class FDP User Data Protection	57
7.1.5 Class FMT Security Management.....	60
7.1.6 Class FPT Protection of the Security Functions	63
7.1.7 Class FTP Trusted path/channels	64

7.2	SECURITY ASSURANCE REQUIREMENTS.....	64
7.2.1	<i>ADV Development.....</i>	<i>65</i>
7.2.2	<i>AGD Guidance documents.....</i>	<i>69</i>
7.2.3	<i>ALC Life-cycle support.....</i>	<i>70</i>
7.2.4	<i>ASE Security Target evaluation.....</i>	<i>74</i>
7.2.5	<i>ATE Tests.....</i>	<i>80</i>
7.2.6	<i>AVA Vulnerability assessment.....</i>	<i>83</i>
7.3	SECURITY REQUIREMENTS RATIONALE.....	84
7.3.1	<i>Objectives.....</i>	<i>84</i>
7.3.2	<i>Rationale tables of Security Objectives and SFRs.....</i>	<i>89</i>
7.3.3	<i>Dependencies.....</i>	<i>93</i>
7.3.4	<i>Rationale for the Security Assurance Requirements.....</i>	<i>98</i>
7.3.5	<i>ADV_FSP.5 Complete semi-formal functional specification with additional error information.....</i>	<i>98</i>
7.3.6	<i>ADV_INT.2 Well-structured internals.....</i>	<i>98</i>
7.3.7	<i>ADV_TDS.4 Semiformal modular design.....</i>	<i>99</i>
7.3.8	<i>ALC_CMS.5 Development tools CM coverage.....</i>	<i>99</i>
7.3.9	<i>ALC_DVS.2 Sufficiency of security measures.....</i>	<i>99</i>
7.3.10	<i>ALC_TAT.2 Compliance with implementation standards.....</i>	<i>99</i>
7.3.11	<i>ATE_DPT.3 Testing: modular design.....</i>	<i>99</i>
8.1	TOE SUMMARY SPECIFICATION.....	100
8.2	SFRs AND TSS.....	104
8.2.1	<i>SFRs and TSS - Rationale.....</i>	<i>104</i>
8.2.2	<i>Association tables of SFRs and TSS.....</i>	<i>104</i>
9.1	GLOSSARY.....	108
9.2	ACRONYMS.....	113

Table of figures

Figure 1 Physical Form of the Module	12
Figure 2 TOE Boundaries	13
Figure 3 Life cycle Overview.....	16

Table of tables

Table 1 ST Reference	8
Table 2 TOE reference	8
Table 3 BAC Configuration	15
Table 4 Roles identification on the life cycle	15
Table 5 Image containing both Java Card platform and applet is loaded at IC manufacturer (Option 1)	17
Table 6 Cap file of CombICAO Applet v2.2 is loaded through the loader of the smart card (Option 2)	17
Table 7 Image containing both Java Card platform and applet is loaded after point of delivery (Option 3)	18
Table 8 Common Criteria conformance claim	19
Table 9 Protection Profile conformance	20
Table 10 Threats and Security Objectives - Coverage	39
Table 11 Security Objectives and Threats - Coverage	40
Table 12 OSPs and Security Objectives - Coverage	40
Table 13 Security Objectives and OSPs - Coverage	41
Table 14 Assumptions and Security Objectives for the Operational Environment - Coverage.....	41
Table 15 Security Objectives for the Operational Environment and Assumptions - Coverage.....	42
Table 16 Security Objectives and SFRs - Coverage	90
Table 17 SFRs and Security Objectives	92
Table 18 SFRs Dependencies	96
Table 19 SARs Dependencies	98
Table 20 SFRs and TSS - Coverage.....	106
Table 21 TSS and SFRs - Coverage.....	107

1 GENERAL

Introduction

This security target describes the security needs induced by the CombICAO Applet v2.2 product in BAC and CA configuration on IDEMIA underlying Java Card *ID-ONE Cosmo V9.1 Platform*, see 1.1.2 .

The objectives of this Security Target are:

- To describe the Target of Evaluation (TOE), its life cycle and to position it in the smart card life cycle,
- To describe the security environment of the TOE including the assets to be protected and the threats to be countered by the TOE and by the operational environment during the platform active phases,
- To describe the security objectives of the TOE and its supporting environment in terms of integrity and confidentiality of sensitive information. It includes protection of the TOE (and its documentation) during the product active phases,
- To specify the security requirements which include the TOE functional requirements, the TOE assurance requirements and the security requirements for the environment,
- To describe the summary of the TOE specification including a description of the security functions and assurance measures that meet the TOE security requirements,

To present evidence that this ST is a complete and cohesive set of requirements that the TOE provides on an effective set of IT security countermeasures.

Product overview

The product is designed to support the following usages:

1. **eMRTD as per [ICAO_9303] and European provisions [TR_03110]; scope of the current ST**
2. ISO compliant driving license as per [ISO/IEC_18013] and [ISO/IEC_19446]; (out of the scope of the current ST)
3. digital identity and electronic services; (out of the scope of the current ST)

It is achieved thanks to a flexible design allowing to “build” during personalization of the applet the required application(s) by configuring accordingly:

- the file system;
- authentication protocols;
- the user authentication credentials;
- access conditions on files.

The product can be personalized to support an eMRTD application compliant with [ICAO_9303] and European provisions [TR_03110].

The TOE can be configured in five configurations.

However, The current ST addresses CombICAO Applet v2.2 in configuration 1) below.

- 1) CombICAO Applet v2.2 product in **BAC** configuration with **CA**,
- 2) CombICAO Applet v2.2 product in **EAC** configuration,
- 3) CombICAO Applet v2.2 product in **EAC** with **PACE** configuration,
- 4) CombICAO Applet v2.2 product in **EAC** with **PACE** configuration for French ID
- 5) CombICAO Applet v2.2 product in **SSCD** configuration

2 ST INTRODUCTION

2.1 ST reference and TOE reference

2.1.1 ST reference

Title	ComblCAO Applet v2.2 in BAC and CA configuration on Cosmo V9.1 Public Security Target
Reference	FQR 550 0084 Ed 7
Authors	INSI
Certification Body	ANSSI
CC version	3.1 revision 5
EAL	EAL4 augmented with: ADV_FSP.5, ADV_INT.2, ADV_TDS.4, ALC_CMS.5, ALC_DVS.2, ALC_TAT.2, and ATE_DPT.3
PP	See [PP_BAC]

Table 1 ST Reference

2.1.2 TOE reference

Developer name	INSI
Product name	ComblCAO Applet v2.2
TOE name	ComblCAO Applet v2.2 in BAC and CA configuration on ID-ONE Cosmo V9.1
TOE identification	203731
Name of Platform	ID-One Cosmo V9.1 Platform
Platform identification	092915
Platform certification	[PTF_CERT]
Guidance documents	[Applet_Perso_Guide] and [Applet_User_Guide] [PTF_AGD_OPE], [PTF_AGD1], [PTF_AGD2], [PTF_AGD3], [PTF_AGD4], [PTF_AGD5], [PTF_AGD_PRE] and [PTF_AGD_SEC_AC]

Table 2 TOE reference

In order to assure the authenticity of the card, the product identification shall be verified by analyzing the response of the command GET DATA, see section 4 of [Applet_Perso_Guide]

2.2 TOE overview

2.2.1 Usage and major security features of the TOE

A State or Organization issues MRTDs to be used by the holder for international travel. The traveler presents a MRTD to the inspection system to prove his or her identity. The MRTD in context of this Security Target contains (i) visual (eye readable) biographical data and portrait of the holder, (ii) a separate data summary (MRZ data) for visual and machine reading using OCR methods in the Machine readable zone (MRZ) and (iii) data elements on the MRTD's chip according to LDS for contactless machine reading. The authentication of the traveler is based on (i) the possession of a valid MRTD personalized for a holder with the claimed identity as given on the biographical data page and (ii) optional biometrics using the reference data stored in the MRTD. The issuing State or Organization ensures the authenticity of the data of genuine MRTD's. The receiving State trusts a genuine MRTD of an issuing State or Organization.

The MRTD is viewed as unit of

- (a) the **physical MRTD** as travel document in form of paper, plastic and chip. It presents visual readable data including (but not limited to) personal data of the MRTD holder
 - (1) the biographical data on the biographical data page of the passport book,
 - (2) the printed data in the Machine-Readable Zone (MRZ) and
 - (3) the printed portrait.

- (b) the **logical MRTD** as data of the MRTD holder stored according to the Logical Data Structure [ICAO_9303] as specified by ICAO on the contactless integrated circuit. It presents contactless readable data including (but not limited to) personal data of the MRTD holder
 - (1) the digital Machine Readable Zone Data (digital MRZ data, EF.DG1),
 - (2) the digitized portraits (EF.DG2),
 - (3) the optional biometric reference data of finger(s) (EF.DG3) or iris image(s) (EF.DG4) or both
 - (4) the other data according to LDS (EF.DG5 to EF.DG16) and
 - (5) the Document security object.

The issuing State or Organization implements security features of the MRTD to maintain the authenticity and integrity of the MRTD and their data. The MRTD as the passport book and the MRTD's chip is uniquely identified by the Document Number.

The physical MRTD is protected by physical security measures (e.g. watermark on paper, security printing), logical (e.g. authentication keys of the MRTD's chip) and organizational security measures (e.g. control of materials, personalization procedures) [ICAO_9303]. These security measures include the binding of the MRTD's chip to the passport book.

The logical MRTD is protected in authenticity and integrity by a digital signature created by the document signer acting for the issuing State or Organization and the security features of the MRTD's chip.

The ICAO defines the baseline security methods Passive Authentication and the optional advanced security methods Basic Access Control to the logical MRTD, Extended Access Control to and the Data Encryption of additional sensitive biometrics as optional security measure in the 'ICAO Doc 9303' [ICAO_9303]. The Passive Authentication Mechanism and the Data Encryption are performed completely and independently on the TOE by the TOE environment.

The Basic Access Control is a security feature which is mandatory supported by the TOE. The inspection system (i) reads optically the MRTD, (ii) authenticates itself as inspection system by means of Document Basic Access Keys. After successful authentication of the inspection system the MRTD's chip provides read access to the logical MRTD by means of private communication (secure messaging) with this

inspection system [ICAO_9303].

The Chip Authentication defined in [TR_03110] is a security feature which is optionally supported by the TOE. The Chip Authentication is provided by the following steps: (i) the inspection system communicates by means of secure messaging established by Basic Access Control, (ii) the inspection system reads and verifies by means of the Passive Authentication the authenticity of the MRTD's Chip Authentication Public Key using the Document Security Object, (iii) the inspection system generates an ephemeral key pair, (iv) the TOE and the inspection system agree on two session keys for secure messaging in ENC_MAC mode according to the Diffie-Hellman Primitive and (v) the inspection system verifies by means of received message authentication codes whether the MRTD's chip was able or not to run this protocol properly (i.e. the TOE proves to be in possession of the Chip Authentication Private Key corresponding to the Chip Authentication Public Key used for derivation of the session keys). The Chip Authentication requires collaboration of the TOE and the TOE environment.

This TOE addresses the Chip Authentication as an alternative to the Active Authentication stated in [ICAO_9303].

During the prepersonalization and personalization, the Personalisation Agent, once authenticated, gets the rights (access control) for (1) reading and writing data, (2) instantiating the application, and (4) writing of personalization data. The Personalisation Agent can so create the file structure (MF / ADF) required for this configuration.

Mutatis mutandis, the TOE may also be used as an ISO driving license, compliant to ISO/IEC 18013 or ISO/IEC TR 19446 supporting BAP-1 (the same protocol as BAC but used in the context of driving license), AA and CA, as both applications (MRTD and IDL) share the same protocols and data structure organization. Therefore, in the rest of the document, the word "MRTD" MAY be understood either as a MRTD in the sense of ICAO, or a driving license compliant to ISO/IEC 18013 or ISO/IEC TR 19446 depending on the targeted usage envisioned by the issuer.

The table below indicates how terms and concept present in the current document shall be read when considering the TOE to be an ISO driving license:

MRTD	ISO driving licence
MRTD	IDL
ICAO	ISO/IEC
ICAO 9303	ISO/IEC 18013 or ISO/IEC TR 19446
BAC	BAP-1
DG3	DG7
DG4	DG8
DG15	DG13
MRZ	MRZ or SAI (Scanning area identifier)
Traveler	Holder

NB: the ISO driving license is out of the scope of the current ST and not evaluated.

2.2.2 TOE type

The TOE is the contactless and/or contact integrated circuit chip of machine readable travel documents (MRTD's chip) programmed according to the Logical Data Structure (LDS) and providing the Basic Access Control and the Chip Authentication according to [ICAO_9303].

The TOE comprises at least:

- the circuitry of the MRTD's chip (the integrated circuit, IC),
- the IC Dedicated Software with the parts IC Dedicated Test Software and IC Dedicated Support Software,
- the IC Embedded Software (operating system),
- the MRTD application,
- the associated guidance documentation.

Note: The antenna is not part of the TOE as it does not have any impact on the security.

2.2.3 Required non-TOE hardware/Software/firmware

There is no explicit non-TOE hardware, software or firmware required by the TOE to perform its claimed security features. The TOE is defined to comprise the chip and the complete operating system and application. Note, the inlay holding the chip as well as the antenna and the booklet (holding the printed MRZ) are needed to represent a complete MRTD, nevertheless these parts are not inevitable for the secure operation of the TOE.

Note: In particular, the TOE may be used in contact mode, without any inlay or antenna

2.3 TOE description

2.3.1 Physical scope of the TOE

The TOE is physically made up of several components hardware and software.

Once constructed, the TOE is a bare microchip with its external interfaces for communication.

The physical medium on which the microchip is mounted is not part of the target of evaluation as it does not alter nor modify any security functions of the TOE.

The TOE may be used on several physical medium within an inlay, or eCover; in a plastic card are not part of the TOE.

The physical form of the module is depicted in Figure below. The cryptographic boundary of the module is the surface and edges of the die and associated bond pads, shown as circles in the following figure

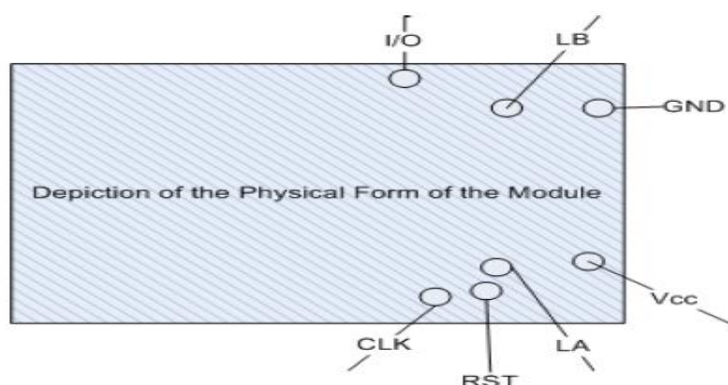


Figure 1 Physical Form of the Module

2.3.2 TOE delivery

The TOE is composed of:

- Circuitry of the MRTD's chip (the IC) :
- IC Dedicated Software with the parts IC Dedicated Test Software and IC Dedicated Support Software
ID-ONE Cosmo V9.1 Platform: see [ST_PTF] and [PTF_CERT]
- CombICAO v2.2 application: the application can be delivered as part of the OS and loaded in the flash or as Cap-file that can be loaded using the GP-mechanisms implemented
- Associated guidance documentation (delivered in electronic version)

An ST Lite version of this Security Target will also be provided as a guidance document along with above-mentioned documents.

TOE Component	Identification	Form Factor of Delivery	Delivery method
CombICAO Applet v2.2 for MRTD	203731	ID1 or ID3 Passport booklets ID1 cards or ID3 holder pages Antenna ¹ inlays Chip in modules on a reel	CPS tool is used in the case of an Image delivery. Otherwise, trusted courier is used.
Personalizing Agent	[Applet_Perso_Guide]	Electronic doc	PGP-encrypted parts on USB or CD media, off-line registered distribution by trusted courier
End User of the TOE	[Applet_User_Guide]		
Underlying platform guidance	[PTF_AGD_OPE] [PTF_AGD1] [PTF_AGD2] [PTF_AGD3] [PTF_AGD4] [PTF_AGD5] [PTF_AGD_SEC_AC] [PTF_AGD_PRE]		

Form factor and Delivery Preparation:

¹ The inlay production including the application of the antenna is not part of the TOE

1. As per the Software Development Process of INSI, upon completion of development activities, particular applet will be uploaded into CPS in CAP file format. Before uploading, the applet will be verified through Oracle verifier and INSI verifier.
2. During Release for Sample as project milestone, status of the applet in CPS will be changed into "Pilot version" to be used further for manufacturing samples.
3. During Software Delivery Review as the final R&D project milestone, status of the applet in CPS will be changed into "Industrial release" to be used further for mass production.

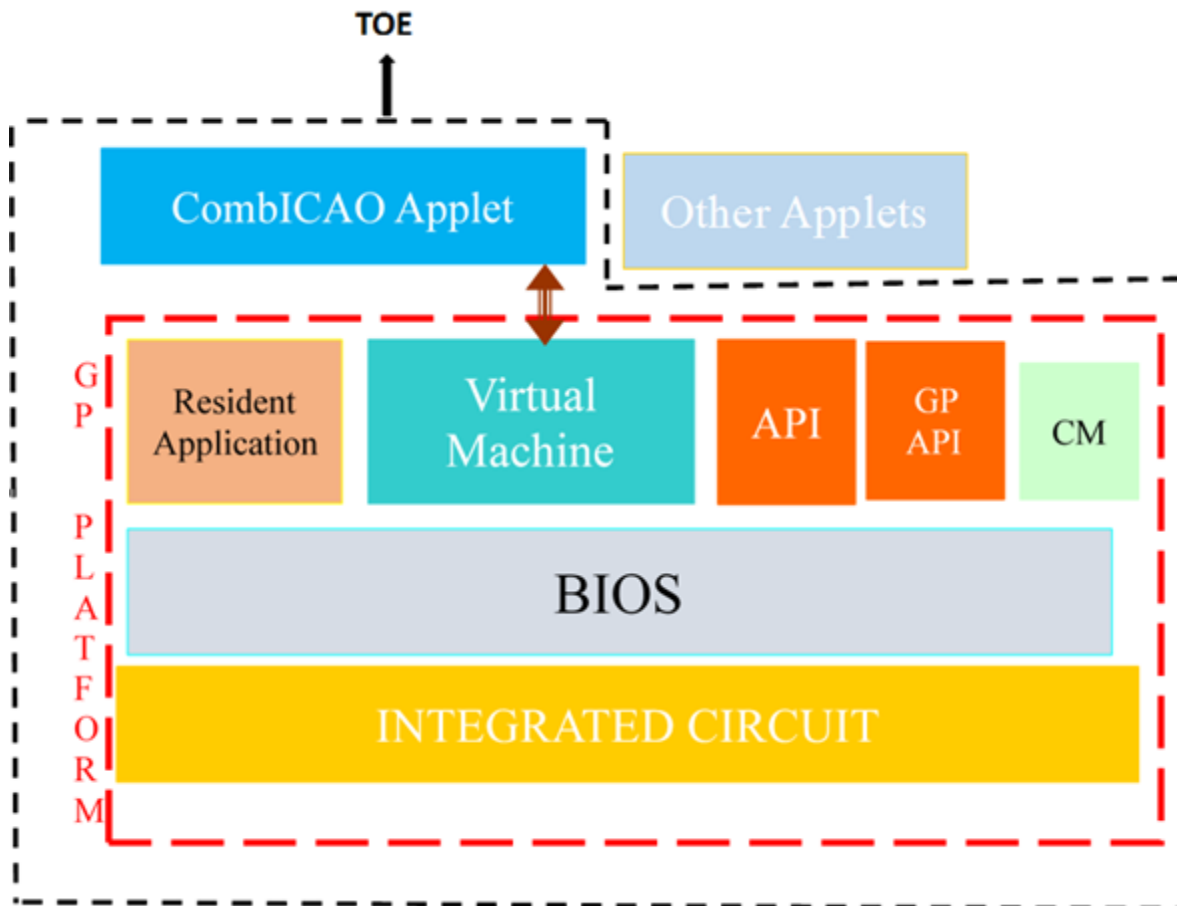


Figure 2 TOE Boundaries

2.3.3 Logical scope of the TOE

The TOE is a smartcard, composed of:

- IC,
- Java Card Open Platform (OS) and
- CombICAO v2.2 application (data storage file structure)

The TOE scope encompasses the following features:

- Basic Access Control, see 2.3.4.2
- Chip Authentication, see 2.3.4.1
- Active Authentication, see 2.3.4.3
- Prepersonalization phase
- Personalisation phase

The prepersonalization and personalization are performed by the Pre-Personalization Agent and personalization Agent, respectively, which controls the TOE. All along this phase, the TOE is self-protected, as it requires the authentication of the Personalisation Agent prior to any operation. By being authenticated, the Pre-Personalization Agent/Personalisation Agent, respectively, gets the rights (access control) for (1) reading and writing data,(2) instantiating the application, and (4) writing of personalization data. The Personalisation Agent can so create the file structure (MF / ADF) required for this configuration

2.3.4 Authentication Protocols

2.3.4.1 Chip Authentication (CA)

The Chip Authentication Protocol is an ephemeral-static Diffie-Hellman key agreement protocol that provides secure communication and unilateral authentication of the MRTD chip.

The protocol establishes Secure Messaging between an MRTD chip and a terminal based on a static key pair stored on the MRTD chip. Chip Authentication is an alternative to the optional ICAO Active Authentication, i.e. it enables the terminal to verify that the MRTD chip is genuine but has two advantages over the original protocol:

Challenge Semantics are prevented because the transcripts produced by this protocol are non-transferable.

Besides authentication of the MRTD chip this protocol also provides strong session keys.

The protocol in version 1 provides implicit authentication of both the MRTD chip itself and the stored data by performing Secure Messaging using the new session keys.

The protocol in Version 2 provides explicit authentication of the MRTD chip by verifying the authentication token and implicit authentication of the stored data by performing Secure Messaging using the new session keys.

The TOE addresses the Chip Authentication version 1 part of the EACv1 procedure defined in [TR_03110].

2.3.4.2 Basic Access Control (BAC)

It is related to BAC mechanism as defined in [ICAO_9303].

The protocol for Basic Access Control is specified by [ICAO_9303] Basic Access Control checks that the terminal has physical access to the MRTD's data page. This is enforced by requiring the terminal to derive an authentication key from the optically read MRZ of the MRTD. The protocol for Basic Access Control is based on ISO/IEC 11770-2 key establishment mechanism 6. This protocol is also used to generate session keys that are used to protect the confidentiality (and integrity) of the transmitted data.

The Basic Access Control (BAC) is a security feature that is supported by the TOE. The inspection system reads the printed data in the MRZ (for MRTD), authenticates itself as inspection system by means of keys derived from MRZ data. After successful 3DES based authentication, the TOE provides read access to data requiring BAC rights by means of a private communication (secure messaging) with the inspection system.

The purpose of this mechanism is to ensure that the holder gives access to the IS to the logical MRTD (data stored in the chip); It is achieved by a mutual authentication.



Once the mutual authentication is performed, a secure messaging is available to protect the communication between the chip and the IS.

This table lists the supported configurations for BAC protocol:

Configuration	Key Algo	Key Length	Hash Algo	MAC Algo
BAC	3DES 2Key	16-bytes	SHA-1	Retail MAC

Table 3 BAC Configuration

2.3.4.3 Active Authentication (AA)

Active Authentication is an authentication mechanism ensuring the chip is genuine. It uses a challenge-response protocol between the IS and the chip.

Active Authentication is realized with the INTERNAL AUTHENTICATE command.

The key and algorithms supported are the following:

RSA ISO/IEC 9796-2 with a key length of 1024 bits, 1536 bits or 2048 bits and hashing algorithm of SHA1 or SHA2.

ECDSA over prime field curves with hashing algorithm of SHA1 or SHA2 and the key sizes 192 to 512.

2.3.5 Machine Readable Travel Document (MRTD)

The MRTD is a complete set of commands, which allows the management of MRTD data in the Operational Use phase (data management and authentication process under MRTD ADF).

2.3.6 TOE life cycle

2.3.6.1 Life cycle overview

The following table presents the TOE roles and the corresponding subject:

Roles		Subject
IC developer		Infineon (IFX)
TOE developer		INSI
Manufacturer	IC manufacturer	IFX
	MRTD packaging responsible	INSI or another agent
		INSI
	Embedded software loading responsible	INSI
Pre Personalization (Manufacturer role)		INSI or another agent
Personalization Agent		INSI or another agent

Table 4 Roles identification on the life cycle

Several life cycles are available, depending when the Flash Code is loaded.

The following tables present the subjects following TOE life cycle steps in accordance with the standard smart card life cycle [PP_IC], and describe for each of them, (1) the TOE delivery point and (2) the assurance coverage:

The TOE life cycle in the following figure distinguishes stages for development, production, preparation and operational use in accordance with the standard smart card life cycle [PP_IC].

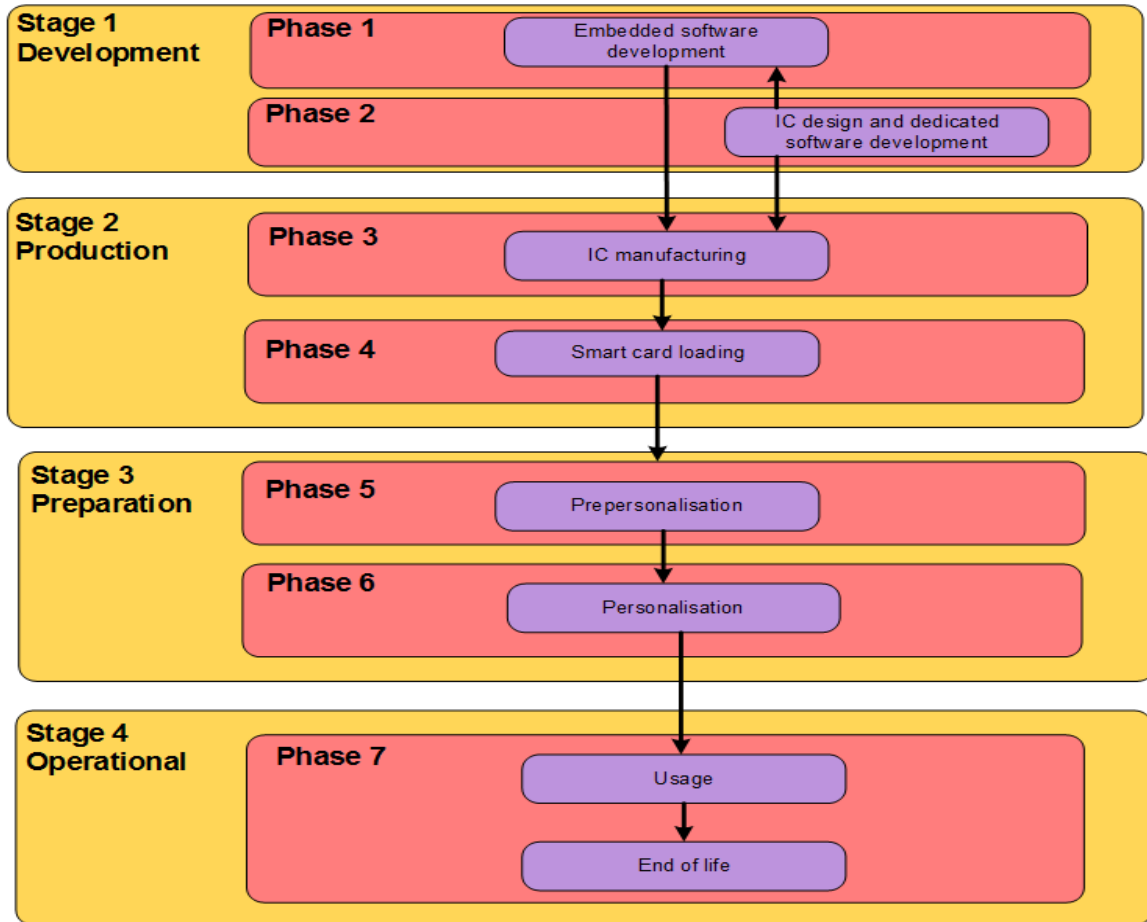


Figure 3 Life cycle Overview

2.3.7 Development Environment

In this environment, the following two phases take place:

- Phase 1: IC Embedded Software Development (Java Card Open Platform components and CombICAO Applet v2.2)
- Phase 2: IC Development

The IC Embedded Software Developer is in charge of the specification, development and validation of the software (Java Card Open Platform and CombICAO Applet v2.2).

The IC Developer designs the IC, develops the IC dedicated software and provides information, software or tools to the IC embedded software developer.

Roles, actors, sites and coverage for this environment of the product life-cycle are listed in the table below:

Role	Actor	Site	Covered by
CombICAO Applet v2.2 Developer	INSI	MANILA, COURBEVOIE R&D sites	ALC
Redaction and Review of Documents	INSI	NOIDA R&D site	ALC

Role	Actor	Site	Covered by
Platform Developer	IDEMIA	IDEMIA R&D sites Refer to [PTF_CERT]	ALC
IC Developer	Infineon	Infineon R&D sites Refer to [PTF_CERT]	ALC

2.3.8 Production Environment

In this environment, the following two phases take place:

- Phase 3: IC manufacturing
- Phase 4: Smart card loading

The IC manufacturer is responsible for producing the IC (manufacturing, testing, and initialisation). Depending on the intention:

- **(Option 1)** the developer sends the image (containing both the Java Card platform and the CombICAO Applet v2.2) to be flashed in the IC to the IC manufacturer in the phase 3.

Or

- **(Option 2)** the platform developer sends the image (containing only the Java Card platform) to be flashed in the IC to the IC manufacturer in the phase 3. Once the Java Card platform has been loaded, the package of CombICAO v2.2 is securely delivered from the applet developer to the smart card loader. The cap file of the applet is then loaded (using GP) in the Java Card platform by the smart card loader in phase 4 at INSI or IDEMIA audited site.

Or

- **(Option 3)** the developer sends the image (containing both the Java Card platform and the CombICAO Applet v2.2) to be loaded in Flash (using the loader of the IC) to the smart card loader in phase 4.

Several life cycles are available, depending when the Flash Code is loaded. The following tables present roles, actors, sites and coverage for this for this environment of the product life-cycle and describe for each of them the TOE delivery point.

Role	Package to be loaded	Actor	Site	Covered by
IC manufacturer	Image containing both Java Card platform and applet	manufacturer	IC manufacturer production plants [PTF_CERT]	ALC
Smart card loader	-	-	-	-
TOE Delivery Point				

Table 5 Image containing both Java Card platform and applet is loaded at IC manufacturer (Option 1)

Role	Package to be loaded	Actor	Site	Covered by
IC manufacturer	Image containing only Java Card Platform	IC manufacturer	IC manufacturer production plants Refer to [PTF_CERT]	ALC
Smart card loader	Cap file of the applet	INSI or IDEMIA	INSI or IDEMIA plant (Shenzhen, Haarlem, Vitré, Noida, Ostrava)	ALC
TOE Delivery Point				

Table 6 Cap file of CombICAO Applet v2.2 is loaded through the loader of the smart card (Option 2)

Role	Package to be loaded	Actor	Site	Covered by
IC manufacturer	-	-	-	-
TOE Delivery Point				
Smart card loader	Image containing only Java Card and applet	INSI or IDEMIA or another agent	Any	AGD

Table 7 Image containing both Java Card platform and applet is loaded after point of delivery (Option 3)

2.3.9 Preparation Environment

In this environment, the following two phases take place:

- Phase 5: Prepersonalisation of the applet
- Phase 6: Personalisation

The preparation environment may not necessarily take place in a manufacturing site, but may be performed anywhere. All along these two phases, the TOE is self-protected as it requires the authentication of the prepersonalisation agent or personalisation agent prior to any operation.

The CombiCAO Applet v2.2 is prepersonalised and personalised according to [Applet_Perso_Guide].

At the end of phase 6, the TOE is constructed. These two phases are covered by [Applet_Perso_Guide] tasks of the TOE and [PTF_AGD_OPE] tasks of [PTF_CERT].

2.3.9.1 Operational Environment

The TOE is under the control of the User (Signatory and/or Administrator).

During this phase, the TOE may be used as described in AGD of the TOE.

This phase is covered by [Applet_User_Guide] tasks of the TOE and [PTF_AGD_OPE] tasks of [PTF_CERT].

3 Conformance claims

3.1 Common Criteria conformance

This Security Target (ST) claims conformance to the Common Criteria (CC) version 3.1 revision 5.

The conformance to the CC is claimed as follows:

CC	Conformance Claim
Part 1	Strict conformance
Part 2	Conformance with extensions: <ul style="list-style-type: none"> • FAU_SAS.1 <i>“Audit storage”</i>, • FCS_RND.1 <i>“Random number generation”</i>, • FMT_LIM.1 <i>“Limited capabilities”</i>, • FMT_LIM.2 <i>“Limited availability”</i>, • FPT_EMS.1 <i>“TOE Emanation”</i>, • FIA_API.1² <i>“Authentication Proof of Identity”</i>,
Part 3	Conformance with package EAL4 augmented ³ with: <ul style="list-style-type: none"> • ALC_DVS.2 <i>“Sufficiency of security measures”</i> defined in [CC_3], • ADV_FSP.5 <i>“Complete semi-formal functional specification with additional error information”</i> defined in [CC_3], • ADV_INT.2 <i>“Well-structured internals”</i> defined in [CC_3], • ADV_TDS.4 <i>“Semiformal modular design”</i> defined in [CC_3], • ALC_CMS.5 <i>“Development tools CM coverage”</i> defined in [CC_3], • ALC_TAT.2 <i>“Compliance with implementation standards”</i> defined in [CC_3], • ATE_DPT.3 <i>“Testing: modular design”</i> defined in [CC_3].

Table 8 Common Criteria conformance claim

Remark:

For interoperability reasons it is assumed the receiving state cares for sufficient measures against eavesdropping within the operating environment of the inspection systems. Otherwise the TOE may protect the confidentiality of some less sensitive assets (e.g. the personal data of the TOE holder which are also printed on the physical TOE) for some specific attacks only against enhanced basic attack potential (AVA_VAN.3).

FPT_EMSEC.1 from [PP_BAC] has been renamed to FPT_EMS.1, in order to keep the SFR formatting.

3.2 Protection Profile conformance

3.2.1 Overview

This ST claims strict conformance to the following Protection Profile (PP):

Title	Protection Profile – Machine Readable Travel Document with ICAO Application and Basic Access Control (MRTD-PP)
CC Version	3.1 (Revision 2)

² FIA_API.1 has been added to this security target for the needs of the Chip Authentication Protocol.

³ This EAL and its augmentations correspond to an EAL5 + ALC_DVS.2 where AVA_VAN level is downgraded to AVA_VAN.3 following constraint of MRZ entropy described in [ICAO_9303].

Assurance Level	The minimum assurance level for this PP is EAL4 augmented
Version Number	1.10
Registration	BSI-CC-PP-0055

Table 9 Protection Profile conformance

This ST also addresses the Manufacturing and Personalization phases at TOE level (cf. section 1.2.3) Additional functionalities. This ST also addresses Active Authentication and Chip Authentication as additional authentication protocols.

The additional functionality of the Chip Authentication v1 (CA) and Active Authentication protocols available in operational use phase has been added to the TOE with:

- additional threats (T.Configuration, T.Counterfeit)
- additional organizational security policies (P.Activ_Auth)
- additional assumptions (A.Insp_Sys_Chip_Auth, A.Signature_PKI and A.Insp_Sys_AA)
- additional objectives for the TOE (OT.Chip_Auth_Proof, OT.Configuration, OT.AA_Proof and OT.Data_Int_AA)
- additional objectives for the environment (OE.Auth_MRTD, OE.Exam_Chip_Auth, OE.Exam_MRTD_AA, OE.Prot_Logical_MRTD_AA, OE.Activ_Auth_Verif and OE.Activ_Auth_Sign)

The additions do not contradict any of the threats, assumptions, organizational policies, objectives or SFRs stated in the [PP_BAC] that covers the advanced security methods BAC in operational use phase.

4 Security Problem Definition

4.1 Assets

4.1.1 Logical MRTD data

The following table presents the assets of the TOE and their corresponding phase(s) according to section 1.2.3

Asset	Phase 5	Phase 6	Phase 7
Personal Data	No	Yes	Yes
Biometric Data	No	Yes	Yes
EF.COM	No	Yes	Yes
EF.SOD	No	Yes	Yes
CA_PK	No	Yes	Yes
CA_SK	No	Yes	Yes
Perso_K	No	Yes	No
BAC_K	No	Yes	Yes
Session_K	Yes	Yes	Yes
LCS	Yes	Yes	Yes

Personal Data

The Personal Data are the logical MRTD standard User Data of the MRTD holder (EF.DG1, EF.DG2, EF.DG5 to EF.DG13, EF.DG16).

Biometric Data

The Biometric Data are the sensitive biometric reference data (EF.DG3, EF.DG4).

EF.COM

The EF.COM is an elementary file containing the list of the existing elementary files (EF) with the user data.

EF.SOD

The elementary file Document Security Object is used by the inspection system for Passive Authentication of the logical MRTD.

Chip Authentication Public Key (CA_PK)

The Chip Authentication Public Key (contained in EF.DG14) is used by the inspection system for the Chip Authentication.

Chip Authentication Private Key (CA_SK)

The Chip Authentication Private Key is used by the application to process Chip Authentication.

Personalization Agent keys (Perso_K)

This key set used for mutual authentication between the Personalization agent and the chip, and secure communication establishment.

BAC keys (BAC_K)

This key set used for secure communication establishment between the Terminal and the chip.

Secure Messaging session keys (Session_K)

Session keys are used to secure communication in confidentiality and authenticity.

TOE Life Cycle State (LCS)

This is the Life Cycle State related to the Prepersonalization, Personalisation and use phase of the application.

4.1.2 Miscellaneous

Authenticity of the MRTD's chip

The authenticity of the MRTD's chip personalized by the issuing State or Organization for the MRTD holder is used by the traveler to prove his possession of a genuine MRTD.

4.2 Users / Subjects

The following table presents the assets of the TOE and their corresponding phase(s) according to §1.3.6 TOE description

Subject	Phase 3	Phase 4	Phase 5	Phase 6	Phase 7
IC manufacturer(Manufacturer role)	Yes	No	No	No	No
MRTD packaging responsible(Manufacturer role)	No	Yes	No	No	No
Embedded software loading responsible(Manufacturer role)	No	Yes	No	No	No
Pre-personalization Agent(Manufacturer role)	No	No	Yes	No	No
Personalization Agent	No	No	No	Yes	No
Terminal	No	No	Yes	Yes	Yes
Inspection System	No	No	No	No	Yes
MRTD Holder	No	No	No	No	Yes
Traveler	No	No	No	No	Yes

Attacker	Yes	Yes	Yes	Yes	Yes
----------	-----	-----	-----	-----	-----

IC manufacturer

This additional subject is a refinement of the role Manufacturer as described in [PP_BAC]. It is the manufacturer of the IC.

If the IC Manufacturer loads the TOE at phase 3, this subject is responsible for the embedded software downloading in the IC. This subject does not use Flash loader, even if it is embedded in the IC.

MRTD packaging responsible

This additional subject is a refinement of the role Manufacturer as described in [PP_BAC]. This subject is responsible for the combination of the IC with hardware for the contactless and/or contact interface.

Embedded software loading responsible

This additional subject is a refinement of the role Manufacturer as described in [PP_BAC]. This subject is responsible for the embedded software loading when the TOE is loaded by the OS loader in phase 4 before TOE delivery point. This subject does not exist if the TOE is loaded by the IC Manufacturer. This subject used the Flash loader embedded in the IC.

Pre-personalization Agent

This additional subject is a refinement of the role Manufacturer as described in [PP_BAC]. This subject is responsible for the preparation of the card, i.e. creation of the MF and MRTD ADF. He also sets Personalization Agent keys.

Personalization Agent

The agent is acting on behalf of the issuing State or Organization to personalize the MRTD for the holder by some or all of the following activities (i) establishing the identity the holder for the biographic data in the MRTD, (ii) enrolling the biometric reference data of the MRTD holder i.e. the portrait, the encoded finger image(s) and/or the encoded iris image(s) (iii) writing these data on the physical and logical MRTD for the holder as defined for global, international and national interoperability, (iv) writing the initial TSF data and (v) signing the Document Security Object defined in [ICAO_9303].

Terminal

A terminal is any technical system communicating with the TOE through the contactless interface.

Note: as the TOE may also be used in contact mode, the terminal may also communicate using the contact interface

Inspection system (IS)

A technical system used by the border control officer of the receiving State (i) examining an MRTD presented by the traveler and verifying its authenticity and (ii) verifying the traveler as MRTD holder. The Basic Inspection System (BIS) (i) contains a terminal for the contactless communication with the MRTD's chip, (ii) implements the terminals part of the

Basic Access Control Mechanism and (iii) gets the authorization to read the logical MRTD under the Basic Access Control by optical reading the MRTD or other parts of the passport book providing this information. The General Inspection System (GIS) is a Basic Inspection System which implements additionally the Chip Authentication Mechanism. The Extended Inspection System (EIS) in addition to the General Inspection System (i) implements the Terminal Authentication Protocol and (ii) is authorized by the issuing State or Organization through the Document Verifier of the receiving State to read the sensitive biometric reference data. The security attributes of the EIS are defined of the Inspection System Certificates.

MRTD Holder

The rightful holder of the MRTD for whom the issuing State or Organization personalized the MRTD.

Traveler

Person presenting the MRTD to the inspection system and claiming the identity of the MRTD holder.

Attacker

A threat agent trying (i) to identify and to trace the movement of the MRTD's chip remotely (i.e. without knowing or optically reading the printed MRZ data), (ii) to read or to manipulate the logical MRTD without authorization, or (iii) to forge a genuine MRTD.

4.3 Threats

T.Chip_ID

"Identification of MRTD's chip"

Adverse action: An attacker trying to trace the movement of the MRTD by identifying remotely the MRTD's chip by establishing or listening to communications through the contactless communication interface.

Threat agent: having enhanced basic attack potential, not knowing the optically readable MRZ data printed on the MRTD data page in advance

Asset: Anonymity of user

T.Skimming

"Skimming the logical MRTD"

Adverse action: An attacker imitates an inspection system trying to establish a communication to read the logical MRTD or parts of it via the contactless communication channel of the TOE.

Threat agent: having enhanced basic attack potential, not knowing the optically readable MRZ data printed on the MRTD data page in advance.

Asset: confidentiality of logical MRTD data.

T.Eavesdropping

"Eavesdropping to the communication between TOE and inspection system"

Adverse action: An attacker is listening to an existing communication between the MRTD's chip and an inspection system to gain the logical MRTD or parts of it. The inspection system uses the MRZ data printed on the MRTD data page but the attacker does not know these data in advance.

Threat agent: having enhanced basic attack potential, not knowing the optically readable MRZ data printed on the MRTD data page in advance.

Asset: confidentiality of logical MRTD data.

T.Forgery

"Forgery of data on MRTD's chip"

Adverse action: An attacker alters fraudulently the complete stored logical MRTD or any part of it including its security related data in order to deceive on an inspection system by means of the changed MRTD holder's identity or biometric reference data. This threat comprises several attack scenarios of MRTD forgery. The attacker may alter the biographical data on the biographical data page of the passport book, in the printed MRZ and in the digital MRZ to claim another identity of the traveler. The attacker may alter the printed portrait and the digitized portrait to overcome the visual inspection of the inspection officer and the automated biometric authentication mechanism by face recognition. The attacker may alter the biometric reference data to defeat automated biometric authentication mechanism of the inspection system. The attacker may combine data groups of different logical MRTDs to create a new forged MRTD, e.g. the attacker writes the digitized portrait and optional biometric reference finger data read from the logical MRTD of a traveler into another MRTD's chip leaving their digital MRZ unchanged to claim the identity of the holder this MRTD. The attacker may also copy the complete unchanged logical MRTD to another contactless chip.

Threat agent: having enhanced basic attack potential, being in possession of one or more legitimate MRTDs.

Asset: authenticity of logical MRTD data.

T.Abuse-Func

"Abuse of Functionality"

Adverse action: An attacker may use functions of the TOE which shall not be used in the phase "Operational Use" in order (i) to manipulate User Data, (ii) to manipulate (explore, bypass, deactivate or change) security features or functions of the TOE or (iii) to disclose or to manipulate TSF Data. This threat addresses the misuse of the functions for the initialization and the personalization in the operational state after delivery to MRTD holder.

Threat agent: having enhanced basic attack potential, being in possession of a legitimate MRTD.

Asset: confidentiality and authenticity of logical MRTD and TSF data, correctness of TSF.

T.Information_Leakage

"Information Leakage from MRTD's chip"

Adverse action: An attacker may exploit information which is leaked from the TOE during its usage in order to disclose confidential TSF data. The information leakage may be inherent in the normal operation or caused by the attacker. Leakage may occur through emanations, variations in power consumption, I/O characteristics, clock frequency, or by changes in processing time requirements. This leakage may be interpreted as a covert

channel transmission but is more closely related to measurement of operating parameters, which may be derived either from measurements of the contactless interface (emanation) or direct measurements (by contact to the chip still available even for a contactless chip) and can then be related to the specific operation being performed. Examples are the Differential Electromagnetic Analysis (DEMA) and the Differential Power Analysis (DPA). Moreover the attacker may try actively to enforce information leakage by fault injection (e.g. Differential Fault Analysis).

Threat agent: having enhanced basic attack potential, being in possession of a legitimate MRTD.

Asset: confidentiality of logical MRTD and TSF data.

T.Phys-Tamper

"Physical Tampering"

Adverse action: An attacker may perform physical probing of the MRTD's chip in order (i) to disclose TSF Data or (ii) to disclose/reconstruct the MRTD's chip Embedded Software. An attacker may physically modify the MRTD's chip in order to (i) modify security features or functions of the MRTD's chip, (ii) modify security functions of the MRTD's chip Embedded Software, (iii) modify User Data or (iv) to modify TSF data. The physical tampering may be focused directly on the disclosure or manipulation of TOE User Data (e.g. the biometric reference data for the inspection system) or TSF Data (e.g. authentication key of the MRTD's chip) or indirectly by preparation of the TOE to following attack methods by modification of security features (e.g. to enable information leakage through power analysis). Physical tampering requires direct interaction with the MRTD's chip internals. Techniques commonly employed in IC failure analysis and IC reverse engineering efforts may be used. Before that, the hardware security mechanisms and layout characteristics need to be identified. Determination of software design including treatment of User Data and TSF Data may also be a pre-requisite. The modification may result in the deactivation of a security function. Changes of circuitry or data can be permanent or temporary.

Threat agent: having enhanced basic attack potential, being in possession of a legitimate MRTD.

Asset: confidentiality and authenticity of logical MRTD and TSF data, correctness of TSF.

T.Malfunction

"Malfunction due to Environmental Stress"

Adverse action: An attacker may cause a malfunction of TSF or of the MRTD's chip Embedded Software by applying environmental stress in order to (i) deactivate or modify security features or functions of the TOE or (ii) circumvent, deactivate or modify security functions of the MRTD's chip Embedded Software. This may be achieved e.g. by operating the MRTD's chip outside the normal operating conditions, exploiting errors in the MRTD's chip Embedded Software or misusing administration function. To exploit these vulnerabilities an attacker needs information about the functional operation.

Threat agent: having enhanced basic attack potential, being in possession of a legitimate MRTD.

Asset: confidentiality and authenticity of logical MRTD and TSF data, correctness of TSF.

T.Configuration

"Tampering attempt of the TOE during preparation"

Adverse action: An attacker may access to the TOE at Manufacturing and Personalization phases (phase 5 and 6) to try to (i) deactivate or modify security features or functions of the TOE or (ii) circumvent, deactivate or modify security functions of the MRTD's chip Embedded Software.

Threat agent: having high attack potential, being in possession of one or more MRTD in Pre-personalization or Personalization phases.

Asset: authenticity of logical MRTD data

T.Counterfeit

"MRTD's chip" Adverse action: An attacker with high attack potential produces an unauthorized copy or reproduction of a genuine MRTD's chip to be used as part of a counterfeit MRTD. This violates the authenticity of the MRTD's chip used for authentication of a traveler by possession of a MRTD. The attacker may generate a new data set or extract completely or partially the data from a genuine MRTD's chip and copy them on another appropriate chip to imitate this genuine MRTD's chip.

Threat agent: having high attack potential, being in possession of one or more legitimate MRTDs

Asset: authenticity of logical MRTD data

4.4 Organisational Security Policies

P.Manufact

"Manufacturing of the MRTD's chip"

The Initialization Data are written by the IC Manufacturer to identify the IC uniquely. The MRTD Manufacturer writes the Pre-personalization Data which contains at least the Personalization Agent Key.

P.Personalization

"Personalization of the MRTD by issuing State or Organization only"

The issuing State or Organization guarantees the correctness of the biographical data, the printed portrait and the digitized portrait, the biometric reference data and other data of the logical MRTD with respect to the MRTD holder. The personalization of the MRTD for the holder is performed by an agent authorized by the issuing State or Organization only.

P.Personal_Data

"Personal data protection policy"

The biographical data and their summary printed in the MRZ and stored on the MRTD's chip (EF.DG1), the printed portrait and the digitized portrait (EF.DG2), the biometric reference data of finger(s) (EF.DG3), the biometric reference data of iris image(s) (EF.DG4) and data according to LDS (EF.DG5 to EF.DG13, EF.DG16) stored on the MRTD's chip are personal data of the MRTD holder. These data groups are intended to be used only with agreement of the MRTD holder by inspection systems to which the MRTD is presented. The MRTD's chip shall provide the possibility for the Basic Access Control to allow read access to these data only for terminals successfully authenticated based on knowledge of the Document Basic Access Keys as defined in [ICAO_9303].

Application Note:

Note that EF.DG3 and EF.DG4 are only readable after successful EAC authentication, not covered by this ST.

P.Activ_Auth

The terminal implements the Active Authentication protocol as described in [ICAO_9303]

4.5 Assumptions

A.MRTD_Manufact

"MRTD manufacturing on phase 4 to 6"

It is assumed that appropriate functionality testing of the MRTD is used. It is assumed that security procedures are used during all manufacturing and test operations to maintain confidentiality and integrity of the MRTD and of its manufacturing and test data (to prevent any possible copy, modification, retention, theft or unauthorized use).

A.MRTD_Delivery

"MRTD delivery during phase 4 to 6"

Procedures shall guarantee the control of the TOE delivery and storage process and conformance to its objectives:

- o Procedures shall ensure protection of TOE material/information under delivery and storage.
- o Procedures shall ensure that corrective actions are taken in case of improper operation in the delivery process and storage.
- o Procedures shall ensure that people dealing with the procedure for delivery have got the required skill.

A.Pers_Agent

"Personalization of the MRTD's chip"

The Personalization Agent ensures the correctness of (i) the logical MRTD with respect to the MRTD holder, (ii) the Document Basic Access Keys, (iii) the Chip Authentication Public Key (EF.DG14) if stored on the MRTD's chip, and (iv) the Document Signer Public Key Certificate (if stored on the MRTD's chip). The Personalization Agent signs the Document Security Object. The Personalization Agent bears the Personalization Agent Authentication to authenticate himself to the TOE by symmetric cryptographic mechanisms.

A.Insp_Sys

"Inspection Systems for global interoperability"

The Inspection System is used by the border control officer of the receiving State (i) examining an MRTD presented by the traveler and verifying its authenticity and (ii) verifying the traveler as MRTD holder. The Basic Inspection System for global interoperability (i) includes the Country Signing Public Key and the Document Signer Public Key of each issuing State or Organization, and (ii) implements the terminal part of the Basic Access Control [ICAO_9303]. The Basic Inspection System reads the logical MRTD under Basic Access Control and performs the Passive Authentication to verify the logical MRTD.

A.BAC-Keys

"Cryptographic quality of Basic Access Control Keys"

The Document Basic Access Control Keys being generated and imported by the issuing State or Organization have to provide sufficient cryptographic strength. As a consequence of the [ICAO_9303], the Document Basic Access Control Keys are derived from a defined subset of the individual printed MRZ data. It has to be ensured that these data provide sufficient entropy to withstand any attack based on the decision that the inspection system has to derive Document Access Keys from the printed MRZ data with enhanced basic attack potential.

A.Insp_Sys_Chip_Auth

"Inspection Systems for global interoperability on chip authenticity"

The Inspection System implements the following protocol to authenticate the MRTD's chip: Chip Authentication v1 as defined in [TR_03110].

The Inspection System is used by the border control officer of the receiving State (i) examining an MRTD presented by the traveler and verifying its authenticity and (ii) verifying the traveler as MRTD holder. The Basic Inspection System for global interoperability (i) includes the Country Signing CA Public Key and the Document Signer Public Key of each issuing State or Organization, and (ii) implements the terminal part of the Basic Access Control [ICAO_9303]. The Basic Inspection System reads the logical MRTD under Basic Access Control and performs the Passive Authentication to verify the logical MRTD. The General Inspection System in addition to the Basic Inspection System implements the Chip Authentication Mechanism v1. The General Inspection System reads the logical travel document under BAC and performs the Chip Authentication v1 to verify the logical travel document and establishes a new secure messaging that is different from the BAC one.

A.Signature_PKI

"PKI for Passive Authentication"

The issuing and receiving States or Organizations establish a public key infrastructure for passive authentication i.e. digital signature creation and verification for the logical MRTD. The issuing State or Organization runs a Certification Authority (CA) which securely generates stores and uses the Country Signing CA Key pair. The CA keeps the Country Signing CA Private Key secret and is recommended to distribute the Country Signing CA Public Key to ICAO, all receiving States maintaining its integrity. The Document Signer (i) generates the Document Signer Key Pair, (ii) hands over the Document Signer Public Key to the CA for certification, (iii) keeps the Document Signer Private Key secret and (iv) uses securely the Document Signer Private Key for signing the Document Security Objects of the MRTDs. The CA creates the Document Signer Certificates for the Document Signer Public Keys that are distributed to the receiving States and Organizations.

A.Insp_Sys_AA

The Inspection System implements the Active Authentication Mechanism. The Inspection System verifies the authenticity of the MRTD's chip during inspection using the signature returned by the TOE during Active Authentication.

5 Security Objectives

5.1 Security Objectives for the TOE

This section describes the security objectives for the TOE addressing the aspects of identified threats to be countered by the TOE and organizational security policies to be met by the TOE.

OT.AC_Pers

"Access Control for Personalization of logical MRTD"

The TOE must ensure that the logical MRTD data in EF.DG1 to EF.DG16, the Document security object according to LDS [ICAO_9303] and the TSF data can be written by authorized Personalization Agents only. The logical MRTD data in EF.DG1 to EF.DG16 and the TSF data may be written only during and cannot be changed after its personalization. The Document security object can be updated by authorized Personalization Agents if data in the data groups EF.DG 3 to EF.DG16 are added.

OT.Data_Int

"Integrity of personal data"

The TOE must ensure the integrity of the logical MRTD stored on the MRTD's chip against physical manipulation and unauthorized writing. The TOE must ensure that the inspection system is able to detect any modification of the transmitted logical MRTD data.

OT.Data_Conf

"Confidentiality of personal data"

The TOE must ensure the confidentiality of the logical MRTD data groups EF.DG1 to EF.DG16. Read access to EF.DG1 to EF.DG16 is granted to terminals successfully authenticated as Personalization Agent. Read access to EF.DG1, EF.DG2 and EF.DG5 to EF.DG16 is granted to terminals successfully authenticated as Basic Inspection System. The Basic Inspection System shall authenticate itself by means of the Basic Access Control based on knowledge of the Document Basic Access Key. The TOE must ensure the confidentiality of the logical MRTD data during their transmission to the Basic Inspection System.

OT.Identification

"Identification and Authentication of the TOE"

The TOE must provide means to store IC Identification and Pre-Personalization Data in its non-volatile memory. The IC Identification Data must provide a unique identification of the IC during Phase 2 "Manufacturing" and Phase 3 "Personalization of the MRTD". The storage of the Pre-Personalization data includes writing of the Personalization Agent Key(s). In Phase 4 "Operational Use" the TOE shall identify itself only to a successful authenticated Basic Inspection System or Personalization Agent.

OT.Prot_Abuse-Func

"Protection against Abuse of Functionality"

After delivery of the TOE to the MRTD Holder, the TOE must prevent the abuse of test and support functions that may be maliciously used to (i) disclose critical User Data, (ii) manipulate critical User Data of the IC Embedded Software, (iii) manipulate Soft-coded IC Embedded Software or (iv) bypass, deactivate, change or explore security features or functions of the TOE.

Details of the relevant attack scenarios depend, for instance, on the capabilities of the Test Features provided by the IC Dedicated Test Software which are not specified here.

OT.Prot_Inf_Leak

"Protection against Information Leakage"

The TOE must provide protection against disclosure of confidential TSF data stored and/or processed in the MRTD's chip

- o by measurement and analysis of the shape and amplitude of signals or the time between events found by measuring signals on the electromagnetic field, power consumption, clock, or I/O lines and
- o by forcing a malfunction of the TOE and/or
- o by a physical manipulation of the TOE

OT.Prot_Phys-Tamper

"Protection against Physical Tampering"

The TOE must provide protection of the confidentiality and integrity of the User Data, the TSF Data, and the MRTD's chip Embedded Software. This includes protection against attacks with enhanced-basic attack potential by means of

- o measuring through galvanic contacts which is direct physical probing on the chips surface except on pads being bonded (using standard tools for measuring voltage and current) or
- o measuring not using galvanic contacts but other types of physical interaction between charges (using tools used in solid-state physics research and IC failure analysis)
- o manipulation of the hardware and its security features, as well as
- o controlled manipulation of memory contents (User Data, TSF Data)

with a prior

- o reverse-engineering to understand the design and its properties and functions.

OT.Prot_Malfunction

"Protection against Malfunctions"

The TOE must ensure its correct operation. The TOE must prevent its operation outside the normal operating conditions where reliability and secure operation has not been proven or tested. This is to prevent errors. The environmental conditions may include external energy (esp. electromagnetic) fields, voltage (on any contacts), clock frequency, or temperature.

OT.Chip_Auth_Proof

"Proof of MRTD's chip authenticity"

The TOE must support the Inspection Systems to verify the identity and authenticity of the MRTD's chip as issued by the identified issuing State or Organization by means of the Chip

Authentication as defined in [TR_03110] the chip is genuine and chip and data page belong to each other as defined in [ICAO_9303]. The authenticity proof provided by MRTD's chip shall be protected against attacks with high attack potential.

OT.Configuration

"Protection of the TOE preparation"

During Pre-personalization and Personalization phases, the TOE must control the access to its sensitive information and its functions and must provide the means to secure exchanges using cryptographic functions. It must also ensure secure erasing of useless keys.

OT.AA_Proof

The TOE must support the Inspection Systems to verify the identity and authenticity of MRTD's chip as issued by the identified issuing State or Organization by means of the Active Authentication as defined in [ICAO_9303]. The authenticity proof through AA provided by MRTD's chip shall be protected against attacks with high attack potential.

OT.Data_Int_AA

The TOE must ensure the integrity of the logical MRTD stored on the MRTD's chip against physical manipulation and unauthorized writing. The TOE must ensure the integrity of the logical MRTD data during their transmission to the General Inspection System after Active Authentication.

5.2 Security Objectives for the Operational Environment

5.2.1 Issuing State or Organization

The issuing State or Organization will implement the following security objectives of the TOE environment.

OE.MRTD_Manufact

"Protection of the MRTD Manufacturing"

Appropriate functionality testing of the TOE shall be used in phase 4 to 6.

During all manufacturing and test operations, security procedures shall be used through phases 4, 5 and 6 to maintain confidentiality and integrity of the TOE and its manufacturing and test data.

OE.MRTD_Delivery

"Protection of the MRTD delivery"

Procedures shall ensure protection of TOE material/information under delivery including the following objectives:

- o non-disclosure of any security relevant information,
- o identification of the element under delivery,
- o meet confidentiality rules (confidentiality level, transmittal form, reception acknowledgment),
- o physical protection to prevent external damage,

- o secure storage and handling procedures (including rejected TOE's),
- o traceability of TOE during delivery including the following parameters:
 - origin and shipment details,
 - reception, reception acknowledgement,
 - location material/information.

Procedures shall ensure that corrective actions are taken in case of improper operation in the delivery process (including if applicable any non-conformance to the confidentiality convention) and highlight all non-conformance to this process.

Procedures shall ensure that people (shipping department, carrier, reception department) dealing with the procedure for delivery have got the required skill, training and knowledge to meet the procedure requirements and be able to act fully in accordance with the above expectations.

OE.Personalization

"Personalization of logical MRTD"

The issuing State or Organization must ensure that the Personalization Agents acting on behalf of the issuing State or Organization (i) establish the correct identity of the holder and create biographical data for the MRTD, (ii) enroll the biometric reference data of the MRTD holder i.e. the portrait, the encoded finger image(s) and/or the encoded iris image(s) and (iii) personalize the MRTD for the holder together with the defined physical and logical security measures to protect the confidentiality and integrity of these data.

OE.Pass_Auth_Sign

"Authentication of logical MRTD by Signature"

The issuing State or Organization must (i) generate a cryptographic secure Country Signing CA Key Pair, (ii) ensure the secrecy of the Country Signing CA Private Key and sign Document Signer Certificates in a secure operational environment, and (iii) distribute the Certificate of the Country Signing CA Public Key to receiving States and Organizations maintaining its authenticity and integrity. The issuing State or Organization must (i) generate a cryptographic secure Document Signer Key Pair and ensure the secrecy of the Document Signer Private Keys, (ii) sign Document Security Objects of genuine MRTD in a secure operational environment only and (iii) distribute the Certificate of the Document Signer Public Key to receiving States and Organizations. The digital signature in the Document Security Object relates all data in the data in EF.DG1 to EF.DG16 if stored in the LDS according to [ICAO_9303].

OE.BAC-Keys

"Cryptographic quality of Basic Access Control Keys"

The Document Basic Access Control Keys being generated and imported by the issuing State or Organization have to provide sufficient cryptographic strength. As a consequence of the [ICAO_9303] the Document Basic Access Control Keys are derived from a defined subset of the individual printed MRZ data. It has to be ensured that these data provide sufficient entropy to withstand any attack based on the decision that the inspection system has to derive Document Basic Access Keys from the printed MRZ data with enhanced basic attack potential.

OE.Auth_MRTD

"MRTD Authentication Key"

The issuing State or Organization has to establish the necessary public key infrastructure in order to

(i) generate the MRTD's Authentication Key Pair(s), (ii) ensure the secrecy of the MRTD's Authentication Private Key(s), (iii) sign and store the Authentication Public Key(s) in the Authentication Public Key data (i.e in EF.DG14 for Chip Authentication Public Key and (iv) support inspection systems of receiving States or organizations to verify the authenticity of the MRTD's chip used for genuine MRTD by certification of the Authentication Public Key by means of the Document Security Object.

5.2.2 Receiving State or Organization

The receiving State or Organization will implement the following security objectives of the TOE environment.

OE.Exam_MRTD

"Examination of the MRTD passport book"

The inspection system of the receiving State or Organization must examine the MRTD presented by the traveler to verify its authenticity by means of the physical security measures and to detect any manipulation of the physical MRTD. The Basic Inspection System for global interoperability (i) includes the Country Signing Public Key and the Document Signer Public Key of each issuing State or Organization, and (ii) implements the terminal part of the Basic Access Control [ICAO_9303].

OE.Exam_Chip_Auth

"Examination of the chip authenticity"

Additionally to the OE.Exam_MRTD, inspection system performs the Chip Authentication to verify the Authenticity of the presented MRTD's chip.

OE.Passive_Auth_Verif

"Verification by Passive Authentication" The border control officer of the receiving State uses the inspection system to verify the traveler as MRTD holder. The inspection systems must have successfully verified the signature of Document Security Objects and the integrity data elements of the logical MRTD before they are used. The receiving States and Organizations must manage the Country Signing Public Key and the Document Signer Public Key maintaining their authenticity and availability in all inspection systems.

OE.Prot_Logical_MRTD

"Protection of data from the logical MRTD"

The inspection system of the receiving State or Organization ensures the confidentiality and integrity of the data read from the logical MRTD. The receiving State examining the logical MRTD being under Basic Access Control will use inspection systems which implement the terminal part of the Basic Access Control and use the secure messaging with fresh generated keys for the protection of the transmitted data (i.e. Basic Inspection Systems).

5.2.3 Additional Security Objectives for the Operational Environment

OE.Exam_MRTD_AA

Additionally to the OE.Exam_MRTD, the inspection systems perform the Active Authentication protocol to verify the Authenticity of the presented MRTD's chip.

OE.Prot_Logical_MRTD_AA

Additionally to the OE.Prot_Logical_MRTD, the inspection system prevents eavesdropping to their communication with the TOE before secure messaging is successfully established based on the Active Authentication Protocol.

OE.Activ_Auth_Verif

In addition to the verification by passive authentication, the inspection systems may use the verification by Active Authentication, which offers a stronger guaranty of the authenticity of the MRTD.

OE.Activ_Auth_Sign

The issuing State or Organization has to establish the necessary public key infrastructure in order to (i) generate the MRTD's Active Authentication Key Pair, (ii) ensure the secrecy of the MRTD's Active Authentication Private Key, sign and store the Active Authentication Public Key in the Active Authentication Public Key data in EF.DG15 and (iii) support inspection systems of receiving States or organizations to verify the authenticity of the MRTD's chip used for genuine MRTD by certification of the Active Authentication Public Key by means of the Document Security Object.

5.3 Security Objectives Rationale

5.3.1 Threats

T.Chip_ID The threat T.Chip_ID "Identification of MRTD's chip" addresses the trace of the MRTD movement by identifying remotely the MRTD's chip through the contactless communication interface. This threat is countered as described by the security objective OT.Identification "Identification and Authentication of the TOE" by Basic Access Control using sufficiently strong derived keys as required by the security objective for the environment OE.BAC-Keys "Cryptographic quality of Basic Access Control Keys".

T.Skimming The threat T.Skimming "Skimming the logical MRTD" addresses the reading of the logical MRTD through the contactless interface. This threat is countered by the security objective OT.Data_Conf "Confidentiality of personal data" through Basic Access Control using sufficiently strong derived keys as required by the security objective for the environment OE.BAC-Keys "Cryptographic quality of Basic Access Control Keys".

T.Eavesdropping The threat T.Eavesdropping "Eavesdropping to the communication between TOE and inspection system" addresses listening to the communication between the MRTD's chip and a terminal. This threat is countered by the security objective OT.Data_Conf "Confidentiality of personal data" through Basic Access Control using

sufficiently strong derived keys as required by the security objective for the environment OE.BAC-Keys "Cryptographic quality of Basic Access Control Keys".

T.Forgery The threat T.Forgery "Forgery of data on MRTD's chip" addresses the fraudulent alteration of the complete stored logical MRTD or any part of it. The security objective OT.AC_Pers "Access Control for Personalization of logical MRTD" requires the TOE to limit the write access for the logical MRTD to the trustworthy Personalization Agent (cf. OE.Personalization). The TOE will protect the integrity of the stored logical MRTD according to the security objective OT.Data_Int "Integrity of personal data" and OT.Prot_Phys-Tamper "Protection against Physical Tampering". The examination of the presented MRTD passport book according to OE.Exam_MRTD "Examination of the MRTD passport book" and OE.Exam_MRTD_AA shall ensure that passport book does not contain a sensitive contactless chip which may present the complete unchanged logical MRTD. The TOE environment will detect partly forged logical MRTD data by means of digital signature which will be created according to OE.Pass_Auth_Sign "Authentication of logical MRTD by Signature" and verified by the inspection system according to OE.Passive_Auth_Verif "Verification by Passive Authentication".

T.Abuse-Func The threat T.Abuse-Func "Abuse of Functionality" addresses attacks using the MRTD's chip as production material for the MRTD and misuse of the functions for personalization in the operational state after delivery to MRTD holder to disclose or to manipulate the logical MRTD. This threat is countered by OT.Prot_Abuse-Func "Protection against Abuse of Functionality". Additionally this objective is supported by the security objective for the TOE environment: OE.Personalization "Personalization of logical MRTD" ensuring that the TOE security functions for the initialization and the personalization are disabled and the security functions for the operational state after delivery to MRTD holder are enabled according to the intended use of the TOE.

T.Information_Leakage The threats T.Information_Leakage "Information Leakage from MRTD's chip" is typical for integrated circuits like smart cards under direct attack with high attack potential. The protection of the TOE against this threat is addressed by the directly related security objective OT.Prot_Inf_Leak "Protection against Information Leakage".

T.Phys-Tamper The threat T.Phys-Tamper "Physical Tampering" is typical for integrated circuits like smart cards under direct attack with high attack potential. The protection of the TOE against this threat is addressed by the directly related security objective OT.Prot_Phys-Tamper "Protection against Physical Tampering".

T.Malfunction The threat T.Malfunction "Malfunction due to Environmental Stress" is typical for integrated circuits like smart cards under direct attack with high attack potential. The protection of the TOE against this threat is addressed by the directly related security objective OT.Prot_Malfunction "Protection against Malfunctions".

T.Configuration The threat T.Configuration "Tampering attempt of the TOE during preparation" addresses attacks in Pre-personalization and Personalization phases. The attacker trying to access to unauthorized TOE functions, trying to access or to modify sensitive information exchanged between the TOE and the Personalization system.

Protection of the TOE during these two phases is directly addressed by OT.Configuration "Protection of the TOE preparation".

T.Counterfeit The threat T.Counterfeit "MRTD's chip" addresses the attack of unauthorized copy or reproduction of the genuine MRTD chip. This attack is thwarted by chip an identification and authenticity proof required by OT.Chip_Auth_Proof "Proof of MRTD's chip authenticity" using a authentication key pair to be generated by the issuing State or Organization. The Public Chip Authentication Key has to be written into EF.DG14 and signed by means of Documents Security Objects as demanded by OE.Auth_MRTD "MRTD Authentication Key". According to OE.Exam_Chip_Auth the inspection system has to perform the Chip Authentication Protocol to verify the authenticity of the MRTD's chip. This attack is also thwarted by Active Authentication proving the authenticity of the chip as required by OT.AA_Proof and OT.Data_Int_AA using a authentication key pair to be generated by the issuing State or Organization. This threat is also covered by OE.Auth_MRTD "MRTD Authentication Key" using a authentication key pair to be generated by the issuing State or Organization. OE.Activ_Auth_Verif and OE.Activ_Auth_Sign covers also this threat enabling the possibility of performing an Active Authentication which reinforce the security associated to the communication.

5.3.2 Organisational Security Policies

P.Manufact The OSP P.Manufact "Manufacturing of the MRTD's chip" requires a unique identification of the IC by means of the Initialization Data and the writing of the Pre-personalization Data as being fulfilled by OT.Identification "Identification and Authentication of the TOE".

P.Personalization The OSP P.Personalization "Personalization of the MRTD by issuing State or Organization only" addresses the (i) the enrolment of the logical MRTD by the Personalization Agent as described in the security objective for the TOE environment OE.Personalization "Personalization of logical MRTD", and (ii) the access control for the user data and TSF data as described by the security objective OT.AC_Pers "Access Control for Personalization of logical MRTD". Note the manufacturer equips the TOE with the Personalization Agent Key(s) according to OT.Identification "Identification and Authentication of the TOE". The security objective OT.AC_Pers "Access Control for Personalization of logical MRTD" limits the management of TSF data and management of TSF to the Personalization Agent.

P.Personal_Data The OSP P.Personal_Data "Personal data protection policy" requires the TOE (i) to support the protection of the confidentiality of the logical MRTD by means of the Basic Access Control and (ii) enforce the access control for reading as decided by the issuing State or Organization. This policy is implemented by the security objectives OT.Data_Int "Integrity of personal data" and OT.Data_Int_AA describing the unconditional protection of the integrity of the stored data and during transmission. The security objective

OT.Data_Conf "Confidentiality of personal data" describes the protection of the confidentiality.

P.Activ_Auth The OSP P.Activ_Auth requires the implementation of the Active Authentication protocol as enforced by OT.AA_Proof.

5.3.3 Assumptions

A.MRTD_Manufact The assumption A.MRTD_Manufact "MRTD manufacturing on phase 4 to 6" is covered by the security objective for the TOE environment OE.MRTD_Manufact "Protection of the MRTD Manufacturing" that requires to use security procedures during all manufacturing steps.

A.MRTD_Delivery The assumption A.MRTD_Delivery "MRTD delivery during phase 4 to 6" is covered by the security objective for the TOE environment OE.MRTD_Delivery "Protection of the MRTD delivery" that requires to use security procedures during delivery steps of the MRTD.

A.Pers_Agent The assumption A.Pers_Agent "Personalization of the MRTD's chip" is covered by the security objective for the TOE environment OE.Personalization "Personalization of logical MRTD" including the enrolment, the protection with digital signature and the storage of the MRTD holder personal data.

A.Insp_Sys The examination of the MRTD passport book addressed by the assumption A.Insp_Sys "Inspection Systems for global interoperability" is covered by the security objectives for the TOE environment OE.Exam_MRTD "Examination of the MRTD passport book". The security objectives for the TOE environment OE.Prot_Logical_MRTD "Protection of data from the logical MRTD will require the Basic Inspection System to implement the Basic Access Control and to protect the logical MRTD data during the transmission and the internal handling.

A.BAC-Keys The assumption is directly covered by the security objective for the TOE environment OE.BAC-Keys "Cryptographic quality of Basic Access Control Keys" ensuring the sufficient key quality to be provided by the issuing State or Organization.

A.Insp_Sys_Chip_Auth The examination of the MRTD passport book addressed by the assumption A.Insp_Sys_Chip_Auth "Inspection Systems for global interoperability on chip authenticity" is covered by the security objectives for the TOE environment OE.Exam_Chip_Auth.

A.Signature_PKI The assumption is directly covered by the security objective for the TOE environment OE.Pass_Auth_Sign "Authentication of logical MRTD by Signature" covering the necessary procedures for the Country Signing CA Key Pair and the Document Signer Key Pairs.

A.Insp_Sys_AA The examination of the MRTD passport book addressed by the assumption A.Insp_Sys_AA "Inspection Systems for global interoperability" is covered by the security

objectives for the TOE environment OE.Exam_MRTD_AA "Examination of the MRTD passport book". The security objectives for the TOE environment OE.Prot_Logical_MRTD_AA "Protection of data from the logical MRTD" will require the Basic Inspection System to implement the Active Authentication Protocol and to protect the logical MRTD data during the transmission and the internal handling.

5.3.4 SPD and Security Objectives

Threats	Security Objectives	Rationale
T.Chip_ID	OT.Identification , OE.BAC-Keys	Section 5.3.1
T.Skimming	OT.Data_Conf , OE.BAC-Keys	Section 5.3.1
T.Eavesdropping	OT.Data_Conf , OE.BAC-Keys	Section 5.3.1
T.Forgery	OT.AC_Pers , OT.Data_Int , OT.Prot_Phys-Tamper , OE.Exam_MRTD , OE.Pass_Auth_Sign , OE.Passive_Auth_Verif , OE.Personalization , OE.Exam_MRTD_AA	Section 5.3.1
T.Abuse-Func	OT.Prot_Abuse-Func , OE.Personalization	Section 5.3.1
T.Information_Leakage	OT.Prot_Inf_Leak	Section 5.3.1
T.Phys-Tamper	OT.Prot_Phys-Tamper	Section 5.3.1
T.Malfunction	OT.Prot_Malfunction	Section 5.3.1
T.Configuration	OT.Configuration	Section 5.3.1
T.Counterfeit	OT.Chip_Auth_Proof , OE.Exam_Chip_Auth , OE.Auth_MRTD , OT.AA_Proof , OT.Data_Int_AA , OE.Activ_Auth_Verif , OE.Activ_Auth_Sign	Section 5.3.1

Table 10 Threats and Security Objectives - Coverage

Security Objectives	Threats
OT.AC_Pers	T.Forgery
OT.Data_Int	T.Forgery
OT.Data_Conf	T.Skimming , T.Eavesdropping
OT.Identification	T.Chip_ID
OT.Prot_Abuse-Func	T.Abuse-Func
OT.Prot_Inf_Leak	T.Information_Leakage
OT.Prot_Phys-Tamper	T.Forgery , T.Phys-Tamper
OT.Prot_Malfunction	T.Malfunction
OT.Chip_Auth_Proof	T.Counterfeit
OT.Configuration	T.Configuration
OT.AA_Proof	T.Counterfeit

OT.Data Int AA	T.Counterfeit
OE.MRTD Manufact	
OE.MRTD Delivery	
OE.Personalization	T.Forgery , T.Abuse-Func
OE.Pass Auth Sign	T.Forgery
OE.BAC-Keys	T.Chip ID , T.Skimming , T.Eavesdropping
OE.Auth MRTD	T.Counterfeit
OE.Exam MRTD	T.Forgery
OE.Exam Chip Auth	T.Counterfeit
OE.Passive Auth Verif	T.Forgery
OE.Prot Logical MRTD	
OE.Exam MRTD AA	T.Forgery
OE.Prot Logical MRTD AA	
OE.Activ Auth Verif	T.Counterfeit
OE.Activ Auth Sign	T.Counterfeit

Table 11 Security Objectives and Threats - Coverage

Organisational Security Policies	Security Objectives	Rationale
P.Manufact	OT.Identification	Section 5.3.2
P.Personalization	OE.Personalization , OT.AC Pers , OT.Identification	Section 5.3.2
P.Personal Data	OT.Data Int , OT.Data Conf , OT.Data Int AA	Section 5.3.2
P.Activ Auth	OT.AA Proof	Section 5.3.2

Table 12 OSPs and Security Objectives - Coverage

Security Objectives	Organisational Security Policies
OT.AC Pers	P.Personalization
OT.Data Int	P.Personal Data
OT.Data Conf	P.Personal Data
OT.Identification	P.Manufact , P.Personalization
OT.Prot Abuse-Func	
OT.Prot Inf Leak	
OT.Prot Phys-Tamper	

OT.Prot_Malfunction	
OT.Chip_Auth_Proof	
OT.Configuration	
OT.AA_Proof	P.Activ_Auth
OT.Data_Int_AA	P.Personal_Data
OE.MRTD_Manufact	
OE.MRTD_Delivery	
OE.Personalization	P.Personalization
OE.Pass_Auth_Sign	
OE.BAC-Keys	
OE.Auth_MRTD	
OE.Exam_MRTD	
OE.Exam_Chip_Auth	
OE.Passive_Auth_Verif	
OE.Prot_Logical_MRTD	
OE.Exam_MRTD_AA	
OE.Prot_Logical_MRTD_AA	
OE.Activ_Auth_Verif	
OE.Activ_Auth_Sign	

Table 13 Security Objectives and OSPs - Coverage

Assumptions	Security Objectives for the Operational Environment	Rationale
A.MRTD_Manufact	OE.MRTD_Manufact	Section 5.3.3
A.MRTD_Delivery	OE.MRTD_Delivery	Section 5.3.3
A.Pers_Agent	OE.Personalization	Section 5.3.3
A.Insp_Sys	OE.Exam_MRTD , OE.Prot_Logical_MRTD	Section 5.3.3
A.BAC-Keys	OE.BAC-Keys	Section 5.3.3
A.Insp_Sys_Chip_Auth	OE.Exam_Chip_Auth	Section 5.3.3
A.Signature_PKI	OE.Pass_Auth_Sign	Section 5.3.3
A.Insp_Sys_AA	OE.Exam_MRTD_AA , OE.Prot_Logical_MRTD_AA	Section 5.3.3

Table 14 Assumptions and Security Objectives for the Operational Environment - Coverage

Security Objectives for the Operational Environment	Assumptions
---	-------------

OE.MRTD_Manufact	A.MRTD_Manufact
OE.MRTD_Delivery	A.MRTD_Delivery
OE.Personalization	A.Pers_Agent
OE.Pass_Auth_Sign	A.Signature_PKI
OE.BAC-Keys	A.BAC-Keys
OE.Auth_MRTD	
OE.Exam_MRTD	A.Insp_Sys
OE.Exam_Chip_Auth	A.Insp_Sys_Chip_Auth
OE.Passive_Auth_Verif	
OE.Prot_Logical_MRTD	A.Insp_Sys
OE.Exam_MRTD_AA	A.Insp_Sys_AA
OE.Prot_Logical_MRTD_AA	A.Insp_Sys_AA
OE.Activ_Auth_Verif	
OE.Activ_Auth_Sign	

Table 15 Security Objectives for the Operational Environment and Assumptions - Coverage

6 Extended Requirements

6.1 Extended Families

6.1.1 Extended Family FAU_SAS - Audit data storage

6.1.1.1 Description

To define the security functional requirements of the TOE a sensitive family (FAU_SAS) of the Class FAU (Security Audit) is defined here. This family describes the functional requirements for the storage of audit data. It has a more general approach than FAU_GEN, because it does not necessarily require the data to be generated by the TOE itself and because it does not give specific details of the content of the audit records.

The family "Audit data storage (FAU_SAS)" is specified as follows.

6.1.1.2 Extended Components

Extended Component FAU SAS.1

Description

Requires the TOE to the possibility to store audit data.

Definition

FAU_SAS.1 Audit storage

FAU_SAS.1.1 The TSF shall provide [assignment: authorised users] with the capability to store [assignment: list of audit information] in the audit records.

Dependencies: No dependencies.

6.1.2 Extended Family FCS_RND - Generation of random numbers

6.1.2.1 Description

This family defines quality requirements for the generation of random numbers intended to be used for cryptographic purposes.

6.1.2.2 Extended Components

Extended Component FCS RND.1

Description

Generation of random numbers requires that random numbers meet a defined quality metric.

Definition

FCS_RND.1 Quality metric for random numbers

FCS_RND.1.1 The TSF shall provide a mechanism to generate random numbers that meet [assignment: *a defined quality metric*].

Dependencies: No dependencies.

6.1.3 Extended Family FMT_LIM - Limited capabilities

6.1.3.1 Description

The family FMT_LIM describes the functional requirements for the Test Features of the TOE. The new functional requirements were defined in the class FMT because this class addresses the management of functions of the TSF. The examples of the technical mechanism used in the TOE show that no other class is appropriate to address the specific issues of preventing the abuse of functions by limiting the capabilities of the functions and by limiting their availability.

The family "Limited capabilities and availability (FMT_LIM)" is specified as follows.

6.1.3.2 Extended Components

Extended Component FMT LIM.1

Description

Limited capabilities requires that the TSF is built to provide only the capabilities (perform action, gather information) necessary for its genuine purpose.

Definition

FMT_LIM.1 Limited capabilities

FMT_LIM.1.1 The TSF shall be designed in a manner that limits their capabilities so that in conjunction with 'Limited availability (FMT_LIM.2)' the following policy is enforced [assignment: Limited capability and availability policy]

Dependencies: (FMT_LIM.2)

Extended Component FMT LIM.2

Description

Limited availability requires that the TSF restrict the use of functions (refer to Limited capabilities (FMT_LIM.1)). This can be achieved, for instance, by removing or by disabling functions in a specific phase of the TOE's life-cycle).

Definition

FMT_LIM.2 Limited availability

FMT_LIM.2.1 The TSF shall be designed in a manner that limits their availability so that in conjunction with 'Limited capabilities (FMT_LIM.1)' the following policy is enforced [assignment: Limited capability and availability policy]

Dependencies: (FMT_LIM.1)

6.1.4 Extended Family FPT_EMS - TOE Emanation

6.1.4.1 Description

The sensitive family FPT_EMS (TOE Emanation) of the Class FPT (Protection of the TSF) is defined here to describe the IT security functional requirements of the TOE. The TOE shall prevent attacks against the TOE and other secret data where the attack is based on external observable physical phenomena of the TOE. Examples of such attacks are evaluation of TOE's electromagnetic radiation, simple power analysis (SPA), differential power analysis (DPA), timing attacks, etc. This family describes the functional requirements for the limitation of intelligible emanations which are not directly addressed by any other component of [CC_2].

The family "TOE Emanation (FPT_EMS)" is specified as follows.

6.1.4.2 Extended Components

Extended Component FPT_EMS.1

Description

This family defines requirements to mitigate intelligible emanations.

FPT_EMS.1 TOE Emanation has two constituents:

- FPT_EMS.1.1 Limit of Emissions requires to not emit intelligible emissions enabling access to TSF data or user data.
- FPT_EMS.1.2 Interface Emanation requires to not emit interface emanation enabling access to TSF data or user data.

Definition

FPT_EMS.1 TOE Emanation

FPT_EMS.1.1 The TOE shall not emit [assignment: types of emissions] in excess of [assignment: specified limits] enabling access to [assignment: list of types of TSF data] and [assignment: list of types of user data].

FPT_EMS.1.2 The TSF shall ensure [assignment: type of users] are unable to use the following interface [assignment: type of connection] to gain access to [assignment: list of types of TSF data] and [assignment: list of types of user data].

Dependencies: No dependencies.

6.1.5 Extended Family FIA_API - Authentication Proof of Identity

6.1.5.1 Description

To describe the IT security functional requirements of the TOE a sensitive family (FIA_API) of the Class FIA (Identification and authentication) is defined here. This family describes the functional requirements for the proof of the claimed identity for the authentication verification by an external entity where the other families of the class FIA address the verification of the identity of an external entity.

Application note 10: The other families of the Class FIA describe only the authentication verification of users' identity performed by the TOE and do not describe the functionality of the user to prove their identity. The following paragraph defines the family FIA_API in the style of the Common Criteria part 2 (cf. [3], chapter 'Explicitly stated IT security requirements (APE_SRE)') from a TOE point of view.

6.1.5.2 Extended Components

Extended Component FIA_API.1

Description

The following actions could be considered for the management functions in FMT: Management of authentication information used to prove the claimed identity.

Definition

FIA_API.1 Authentication Proof of Identity

FIA_API.1.1 The TSF shall provide a [assignment: *authentication mechanism*] to prove the identity of the [assignment: *authorized user or role*].

Dependencies: No dependencies.

7 Security Requirements

7.1 Security Functional Requirements

This section on security functional requirements for the TOE is divided into sub-section following the main security functionality.

SFR in ST	SFR in [PP_BAC]	Before Phase 5	Phase 5	Phase 6	Phase 7
FAU_SAS.1.1	FAU_SAS.1.1	Yes	No	No	No
FCS_CKM.1.1/BAC	FCS_CKM.1.1	No	No	No	Yes
FCS_CKM.1.1/GP	Additional SFR	No	Yes	Yes	No
FCS_CKM.1.1/CA	Additional SFR	No	No	No	Yes
FCS_CKM.4.1	FCS_CKM.4.1	No	Yes	Yes	Yes
FCS_COP.1.1/BAC_SHA	FCS_COP.1.1/BAC_SHA	No	No	No	Yes
FCS_COP.1.1/BAC_ENC	FCS_COP.1.1/ENC	No	No	No	Yes
FCS_COP.1.1/AUTH	FCS_COP.1.1/AUTH	No	No	Yes	No
FCS_COP.1.1/BAC_MAC	FCS_COP.1.1/MAC	No	No	No	Yes
FCS_COP.1.1/GP_ENC	Additional SFR	No	Yes	Yes	No
FCS_COP.1.1/GP_AUTH	Additional SFR	No	Yes	No	No
FCS_COP.1.1/GP_MAC	Additional SFR	No	Yes	Yes	No
FCS_COP.1.1/GP_KEY_DEC	Additional SFR	No	Yes	Yes	No
FCS_COP.1.1/CA_SHA	Additional SFR	No	No	No	Yes
FCS_COP.1.1/CA_ENC	Additional SFR	No	No	No	Yes
FCS_COP.1.1/CA_MAC	Additional SFR	No	No	No	Yes
FCS_RND.1.1	FCS_RND.1.1	No	Yes	Yes	Yes
FIA_UID.1.1	FIA_UID.1.1	No	Yes	Yes	Yes
FIA_UID.1.2	FIA_UID.1.2	No	Yes	Yes	Yes
FIA_UAU.1.1	FIA_UAU.1.1	No	Yes	Yes	Yes
FIA_UAU.1.2	FIA_UAU.1.2	No	Yes	Yes	Yes
FIA_UAU.4.1	FIA_UAU.4.1	No	Yes	Yes	Yes
FIA_UAU.5.1/BAC	FIA_UAU.5.1	No	No	Yes	Yes
FIA_UAU.5.2/BAC	FIA_UAU.5.2	No	No	Yes	Yes
FIA_UAU.5.1/MP	Additional SFR	No	Yes	No	No
FIA_UAU.5.2/MP	Additional SFR	No	Yes	No	No

FIA_UAU.5.1/CA	Additional SFR	No	No	Yes	Yes
FIA_UAU.5.2/CA	Additional SFR	No	No	Yes	Yes
FIA_UAU.6.1/BAC	FIA_UAU.6.1	No	No	No	Yes
FIA_UAU.6.1/MP	Additional SFR	No	Yes	Yes	No
FIA_UAU.6.1/CA	Additional SFR	No	No	No	Yes
FIA_AFL.1.1/BAC	FIA_AFL.1.1	No	No	No	Yes
FIA_AFL.1.2/BAC	FIA_AFL.1.2	No	No	No	Yes
FIA_AFL.1.1/MP	Additional SFR	No	Yes	Yes	No
FIA_AFL.1.2/MP	Additional SFR	No	Yes	Yes	No
FIA_API.1.1/CA	Additional SFR	No	No	No	Yes
FDP_ACC.1.1/BAC	FDP_ACC.1.1	No	No	Yes	Yes
FDP_ACC.1.1/CA	Additional SFR	No	No	Yes	Yes
FDP_ACF.1.1/BAC	FDP_ACF.1.1	No	No	Yes	Yes
FDP_ACF.1.2/BAC	FDP_ACF.1.2	No	No	Yes	Yes
FDP_ACF.1.3/BAC	FDP_ACF.1.3	No	No	Yes	Yes
FDP_ACF.1.4/BAC	FDP_ACF.1.4	No	No	Yes	Yes
FDP_ACF.1.1/CA	Additional SFR	No	No	Yes	Yes
FDP_ACF.1.2/CA	Additional SFR	No	No	Yes	Yes
FDP_ACF.1.3/CA	Additional SFR	No	No	Yes	Yes
FDP_ACF.1.4/CA	Additional SFR	No	No	Yes	Yes
FDP_UCT.1.1/BAC	FDP_UCT.1.1	No	No	No	Yes
FDP_UCT.1.1/CA	Additional SFR	No	No	No	Yes
FDP_UIT.1.1/BAC	FDP_UIT.1.1	No	No	No	Yes
FDP_UIT.1.2/BAC	FDP_UIT.1.2	No	No	No	Yes
FDP_UIT.1.1/CA	Additional SFR	No	No	No	Yes
FDP_UIT.1.2/CA	Additional SFR	No	No	No	Yes
FMT_MOF.1.1/PROT	Additional SFR	No	Yes	Yes	No
FMT_SMF.1.1	FMT_SMF.1.1	Yes	Yes	Yes	No
FMT_SMR.1.1	FMT_SMR.1.1	No	Yes	Yes	Yes
FMT_SMR.1.2	FMT_SMR.1.2	No	Yes	Yes	Yes
FMT_LIM.1.1	FMT_LIM.1.1	No	Yes	Yes	Yes
FMT_LIM.2.1	FMT_LIM.2.1	No	Yes	Yes	Yes
FMT_MTD.1.1/INI_ENA	FMT_MTD.1.1/INI_ENA	No	Yes	Yes	Yes
FMT_MTD.1.1/INI_DIS	FMT_MTD.1.1/INI_DIS	No	Yes	Yes	Yes

FMT_MTD.1.1/KEY_WRITE	FMT_MTD.1.1/KEY_WRITE	No	Yes	Yes	Yes
FMT_MTD.1.1/KEY_READ	FMT_MTD.1.1/KEY_READ	No	Yes	Yes	Yes
FMT_MTD.1.1/CAPK	Additional SFR	No	Yes	Yes	Yes
FMT_MTD.1.1/CAPK_READ	Additional SFR	No	Yes	Yes	Yes
FMT_MTD.1.1/LCS_PERS	Additional SFR	No	Yes	Yes	Yes
FPT_EMS.1.1	FPT_EMSEC.1.1	No	Yes	Yes	Yes
FPT_EMS.1.2	FPT_EMSEC.1.2	No	Yes	Yes	Yes
FPT_FLS.1.1	FPT_FLS.1.1	No	Yes	Yes	Yes
FPT_TST.1.1	FPT_TST.1.1	No	Yes	Yes	Yes
FPT_TST.1.2	FPT_TST.1.2	No	Yes	Yes	Yes
FPT_TST.1.3	FPT_TST.1.3	No	Yes	Yes	Yes
FPT_PHP.3.1	FPT_PHP.3.1	No	Yes	Yes	Yes
FTP_ITC.1.1/MP	Additional SFR	No	Yes	Yes	No
FTP_ITC.1.2/MP	Additional SFR	No	Yes	Yes	No
FTP_ITC.1.3/MP	Additional SFR	No	Yes	Yes	No

7.1.1 Class FAU Security Audit

FAU_SAS.1 Audit storage

FAU_SAS.1.1 The TSF shall provide **the Manufacturer** with the capability to store **the IC Identification Data** in the audit records.

7.1.2 Class FCS Cryptographic Support

FCS_CKM.1/BAC Cryptographic key generation

FCS_CKM.1.1/BAC The TSF shall generate cryptographic keys in accordance with a specified cryptographic key generation algorithm **Document Basic Access Key Derivation Algorithm** and specified cryptographic key sizes **112 bit** that meet the following: **[ICAO_9303], normative appendix 5.**

FCS_CKM.1/GP Cryptographic key generation

FCS_CKM.1.1/GP The TSF shall generate cryptographic keys in accordance with a specified cryptographic key generation algorithm **[Algorithm]** and specified cryptographic key sizes **[Key Size(s)]** that meet the following: **[Standard]**

Algorithm	Key Size(s)	Standard
Triple-DES in CBC mode	112 bit	[GPC_SPE_034]; appendix E.4.1.
AES in CBC mode	128, 192 and 256 bit	[GPC_SPE_014]

FCS_CKM.1/CA Cryptographic key generation

FCS_CKM.1.1/CA The TSF shall generate cryptographic keys in accordance with a specified cryptographic key generation algorithm **based on ECDH compliant to [TR_03110]** and specified cryptographic key sizes **192 to 521 bit** that meet the following: **[ICAO-9303] Part 11.**

FCS_CKM.4 Cryptographic key destruction

FCS_CKM.4.1 The TSF shall destroy cryptographic keys in accordance with a specified cryptographic key destruction method **zeroisation** that meets the following: **none.**

FCS_COP.1/BAC_SHA Cryptographic operation

FCS_COP.1.1/BAC_SHA The TSF shall perform **hashing** in accordance with a specified cryptographic algorithm **SHA-1** and cryptographic key sizes **none** that meet the following: **[FIPS_180_3].**

FCS_COP.1/BAC_ENC Cryptographic operation

FCS_COP.1.1/BAC_ENC The TSF shall perform **secure messaging (BAC) – encryption and decryption** in accordance with a specified cryptographic algorithm **Triple-DES in CBC mode** and cryptographic key sizes **112 bit** that meet the following: **[FIPS_46_3] and [ICAO_9303]; normative appendix 5, A5.3 [ICAO_9303].**

FCS_COP.1/AUTH Cryptographic operation

FCS_COP.1.1/AUTH The TSF shall perform **symmetric authentication – encryption and decryption** in accordance with a specified cryptographic algorithm **Triple-DES** and cryptographic key sizes **112 bit** that meet the following: **[FIPS_46_3]**.

FCS_COP.1/BAC_MAC Cryptographic operation

FCS_COP.1.1/BAC_MAC The TSF shall perform **secure messaging – message authentication code** in accordance with a specified cryptographic algorithm **Retail MAC** and cryptographic key sizes **112 bit** that meet the following: **[ISO_9797_1] (MAC algorithm 3, block cipher DES, Sequence Message Counter, padding mode 2)**.

FCS_COP.1/GP_ENC Cryptographic operation

FCS_COP.1.1/GP_ENC The TSF shall perform **secure messaging (GP) – encryption and decryption** in accordance with a specified cryptographic algorithm **[Algorithm]** and cryptographic key sizes **[Key Size(s)]** that meet the following: **[Standard]**

Algorithm	Key Size(s)	Standard
Triple-DES in CBC mode	112 bit	[FIPS_46_3]
AES in CBC mode	128, 192 and 256 bit	[FIPS_197]

FCS_COP.1/GP_AUTH Cryptographic operation

FCS_COP.1.1/GP_AUTH The TSF shall perform **symmetric authentication – encryption and decryption** in accordance with a specified cryptographic algorithm **[Algorithm]** and cryptographic key sizes **[Key Size(s)]** that meet the following: **[Standard]**

Algorithm	Key Size(s)	Standard
Triple-DES	112 bit	[FIPS_46_3]
AES	128, 192 and 256 bit	[FIPS_197]

FCS_COP.1/GP_MAC Cryptographic operation

FCS_COP.1.1/GP_MAC The TSF shall perform **secure messaging – message authentication code** in accordance with a specified cryptographic algorithm **[Algorithm]** and cryptographic key sizes **[Key Size(s)]** that meet the following: **[Standard]**

Algorithm	Key Size(s)	Standard
Retail MAC	112 bit	[ISO_9797_1]
AES CMAC	128, 192 and 256 bit	[NIST_800_38B]

FCS_COP.1/GP_KEY_DEC Cryptographic operation

FCS_COP.1.1/GP_KEY_DEC The TSF shall perform **key decryption** in accordance with a specified cryptographic algorithm **[Algorithm]** and cryptographic key sizes **[Key Size(s)]** that meet the following: **[Standard]**

Algorithm	Key Size(s)	Standard
Triple-DES in CBC mode	112 bit	[FIPS_46_3]
AES in CBC mode	128, 192 and 256 bit	[FIPS_197]

FCS_COP.1/CA_SHA Cryptographic operation

FCS_COP.1.1/CA_SHA The TSF shall perform **hashing** in accordance with a specified cryptographic algorithm **SHA-1 and SHA-256** and cryptographic key sizes **none** that meet the following: **[FIPS_180_3]**.

FCS_COP.1/CA_ENC Cryptographic operation

FCS_COP.1.1/CA_ENC The TSF shall perform **secure messaging – encryption and decryption** in accordance with a specified cryptographic algorithm **[Algorithm]** and cryptographic key sizes **[Key Size(s)]** that meet the following: **[Standard]**

Algorithm	Key Size(s)	Standard
Triple-DES in CBC mode	112 bit	[FIPS_46_3]
AES in CBC mode	128, 192 and 256 bit	[FIPS_197]

FCS_COP.1/CA_MAC Cryptographic operation

FCS_COP.1.1/CA_MAC The TSF shall perform **secure messaging – message authentication code** in accordance with a specified cryptographic algorithm [**Algorithm**] and cryptographic key sizes [**Key Size(s)**] that meet the following: [**Standard**]

Algorithm	Key Size(s)	Standard
Retail MAC	112 bit	[ISO_9797_1]
AES CMAC	128, 192 and 256 bit	[NIST_800_38B]

FCS_COP.1/AA Cryptographic operation

FCS_COP.1.1/AA The TSF shall perform [**cryptographic operation**] in accordance with a specified cryptographic algorithm [**cryptographic algorithm**] and cryptographic key sizes [**cryptographic key sizes**] that meet the following: [**standard**]

cryptographic operation	cryptographic algorithm	cryptographic key sizes(bits)	standard
Digital Signature Creation	ECDSA with SHA1, 256, 384, 512	192 to 512 over prime field curves	[ISO_9796-2], [PKCS#3], [FIPS_180_2] and [X.92]
Digital Signature Creation	RSA signature (CRT) with SHA1, 256, 384, 512	1024, 1536 and 2048	[ISO_9796-2]

FCS_RND.1 Quality metric for random numbers

FCS_RND.1.1 The TSF shall provide a mechanism to generate random numbers that meet **the average Shannon entropy per internal random bit exceeds 0.999.**

7.1.3 Class FIA Identification and Authentication

FIA_UID.1 Timing of identification

FIA_UID.1.1 The TSF shall allow

- o to read the Initialization Data in Stage 2 "Production",
- o to read the random identifier in Stage 3 "Preparation",

- o **to read the random identifier in Stage 4 "Operational"**
on behalf of the user to be performed before the user is identified.

FIA_UID.1.2 The TSF shall require each user to be successfully identified before allowing any other TSF-mediated actions on behalf of that user.

FIA_UAU.1 Timing of authentication

FIA_UAU.1.1 The TSF shall allow

- o **to read the Initialization Data in Stage 2 "Production",**
- o **to read the random identifier in Stage 3 "Preparation",**
- o **to read the random identifier in Stage 4 "Operational"**
on behalf of the user to be performed before the user is authenticated.

FIA_UAU.1.2 The TSF shall require each user to be successfully authenticated before allowing any other TSF-mediated actions on behalf of that user.

FIA_UAU.4 Single-use authentication mechanisms

FIA_UAU.4.1 The TSF shall prevent reuse of authentication data related to

- o **Basic Access Control Authentication Mechanism,**
- o **Authentication Mechanisms based on:**
 - **Triple-DES**
 - **AES.**

Application Note:

The Authentication Mechanisms based on Triple-DES or AES is the authentication process performed in phases 5 and 6.

FIA_UAU.5/BAC Multiple authentication mechanisms

FIA_UAU.5.1/BAC The TSF shall provide

- o **Basic Access Control Authentication Mechanism,**
- o **Symmetric Authentication Mechanism based on Triple-DES and AES**
to support user authentication.

FIA_UAU.5.2/BAC The TSF shall authenticate any user's claimed identity according to the following rules:

- **The TOE accepts the authentication attempt as Personalization Agent by one of the following mechanism(s) the Symmetric Authentication Mechanism with the Personalization Agent Key,**
- **The TOE accepts the authentication attempt as Basic Inspection System only by means of the Basic Access Control Authentication Mechanism with the Document Basic Access Keys.**

FIA_UAU.5/MP Multiple authentication mechanisms

FIA_UAU.5.1/MP The TSF shall provide **Authentication Mechanism based on Triple-DES and AES** to support user authentication.

FIA_UAU.5.2/MP The TSF shall authenticate any user's claimed identity according to the following rules:

- **The TOE accepts the authentication attempt as Manufacturer by the Symmetric Authentication Mechanism with Personalization Agent Key.**

FIA_UAU.5/CA Multiple authentication mechanisms

FIA_UAU.5.1/CA The TSF shall provide

- **Secure messaging in MAC-ENC mode,**
- **Key agreement protocol Diffie-Hellman during Chip Authentication Protocol v.1 according to [TR_03110]**

to support user authentication.

FIA_UAU.5.2/CA The TSF shall authenticate any user's claimed identity according to the following rules:

- **After run of the Chip Authentication Protocol Version 1 the TOE accepts only received commands with correct message authentication code sent by means of secure messaging with key agreed with the terminal by means of the Chip Authentication Mechanism v1.**

FIA_UAU.6/BAC Re-authenticating

FIA_UAU.6.1/BAC The TSF shall re-authenticate the user under the conditions **each command sent to the TOE during a BAC mechanism based communication after successful authentication of the terminal with Basic Access Control Authentication Mechanism.**

FIA_UAU.6/MP Re-authenticating

FIA_UAU.6.1/MP The TSF shall re-authenticate the user under the conditions **each command sent to the TOE after successful authentication of the terminal with the Symmetric Authentication Mechanism shall be verified as being sent by the authenticated terminal.**

Application Note:

This requirement applies to the authentication protocol used by (1) the Manufacturer and (2) the Personalization Agent

FIA_UAU.6/CA Re-authenticating

FIA_UAU.6.1/CA The TSF shall re-authenticate the user under the conditions **each command sent to the TOE after successful run of the Chip Authentication Protocol shall be verified as being sent by the inspection system (GIS).**

FIA_AFL.1/BAC Authentication failure handling

FIA_AFL.1.1/BAC The TSF shall detect when **an administrator configurable positive integer within range of acceptable values 0 to 255 consecutive** unsuccessful authentication attempts occur related to **BAC authentication protocol.**

FIA_AFL.1.2/BAC When the defined number of unsuccessful authentication attempts has been **met and surpassed**, the TSF shall **wait for an increasing time between receiving of the terminal challenge and sending of the TSF response during the BAC authentication attempts.**

FIA_AFL.1/MP Authentication failure handling

FIA_AFL.1.1/MP The TSF shall detect when **1** unsuccessful authentication attempts occur related to **authentication of the Manufacturer and the Personalization Agent.**

FIA_AFL.1.2/MP When the defined number of unsuccessful authentication attempts has been **met**, the TSF shall **slow down exponentially the next authentication.**

FIA_API.1/CA Authentication Proof of Identity

FIA_API.1.1/CA The TSF shall provide a **Chip Authentication protocol according to [TR_03110]** to prove the identity of the **TOE**.

7.1.4 Class FDP User Data Protection

FDP_ACC.1/BAC Subset access control

FDP_ACC.1.1/BAC The TSF shall enforce the **Basic Access Control SFP** on **terminals gaining write, read and modification access to data in the EF.COM, EF.SOD, EF.DG1 to EF.DG16 of the logical MRTD**.

FDP_ACC.1/CA Subset access control

FDP_ACC.1.1/CA The TSF shall enforce the **CA Access Control SFP** on **terminals gaining read and modify access to data in the EF.COM, EF.SOD, EF.DG1 to EF.DG16 of the logical MRTD**.

FDP_ACF.1/BAC Security attribute based access control

FDP_ACF.1.1/BAC The TSF shall enforce the **Basic Access Control SFP** to objects based on the following:

- o **Subjects:**
 - **Personalization Agent,**
 - **Basic Inspection System,**
 - **Terminal,**
- o **Objects:**
 - **data EF.DG1 to EF.DG16 of the logical MRTD,**
 - **data in EF.COM,**
 - **data in EF.SOD,**
- o **Security attributes:**
 - **authentication status of terminals.**

FDP_ACF.1.2/BAC The TSF shall enforce the following rules to determine if an operation among controlled subjects and controlled objects is allowed:

- o **the successfully authenticated Personalization Agent is allowed to write and read the data of the EF.COM, EF.SOD, EF.DG1 to EF.DG16 of the logical MRTD,**

- **the successfully authenticated Basic Inspection System is allowed to read the data in EF.COM, EF.SOD, EF.DG1, EF.DG2 and EF.DG5 to EF.DG16 of the logical MRTD.**

FDP_ACF.1.3/BAC The TSF shall explicitly authorise access of subjects to objects based on the following additional rules: **none**.

FDP_ACF.1.4/BAC The TSF shall explicitly deny access of subjects to objects based on the following additional rules:

- **Any terminal is not allowed to modify any of the EF.DG1 to EF.DG16 of the logical MRTD,**
- **Any terminal is not allowed to read any of the EF.DG1 to EF.DG16 of the logical MRTD,**
- **The Basic Inspection System is not allowed to read the data in EF.DG3 and EF.DG4.**

FDP_ACF.1/CA Security attribute based access control

FDP_ACF.1.1/CA The TSF shall enforce the **CA Control SFP** to objects based on the following:

- **Subjects:**
 - **General Inspection System,**
 - **Terminal,**
- **Objects:**
 - **data EF.DG1 to EF.DG16 of the logical MRTD,**
 - **data in EF.COM,**
 - **data in EF.SOD,**
- **Security attributes**
 - **authentication status of terminals.**

FDP_ACF.1.2/CA The TSF shall enforce the following rules to determine if an operation among controlled subjects and controlled objects is allowed:

- **the successfully authenticated General Inspection System is allowed to read the data in EF.COM, EF.SOD, EF.DG1, EF.DG2 and EF.DG5 to EF.DG16 of the logical MRTD..**

FDP_ACF.1.3/CA The TSF shall explicitly authorise access of subjects to objects based on the following additional rules: **none**.

FDP_ACF.1.4/CA The TSF shall explicitly deny access of subjects to objects based on the following additional rules:

- **Any terminal is not allowed to modify any of the EF.DG1 to EF.DG16 of the logical MRTD,**

- **Any terminal is not allowed to read any of the EF.DG1 to EF.DG16 of the logical MRTD,**
- **The General Inspection System is not allowed to read the data in EF.DG3 and EF.DG4.**

FDP_UCT.1/BAC Basic data exchange confidentiality

FDP_UCT.1.1/BAC The TSF shall enforce the **Basic Access Control SFP** to **transmit and receive** user data in a manner protected from unauthorised disclosure.

FDP_UCT.1/CA Basic data exchange confidentiality

FDP_UCT.1.1/CA [Editorially Refined] The TSF shall enforce the **CA Access Control SFP** to **transmit and receive** user data in a manner protected from unauthorised disclosure **after Chip Authentication**.

FDP_UIT.1/BAC Data exchange integrity

FDP_UIT.1.1/BAC The TSF shall enforce the **Basic Access Control SFP** to **transmit and receive** user data in a manner protected from **modification, deletion, insertion and replay** errors.

FDP_UIT.1.2/BAC The TSF shall be able to determine on receipt of user data, whether **modification, deletion, insertion and replay** has occurred.

FDP_UIT.1/CA Data exchange integrity

FDP_UIT.1.1/CA [Editorially Refined] The TSF shall enforce the **CA Access Control SFP** to **transmit and receive** user data in a manner protected from **modification, deletion, insertion and replay** errors **after Chip Authentication protocol**.

FDP_UIT.1.2/CA [Editorially Refined] The TSF shall be able to determine on receipt of user data, whether **modification, deletion, insertion and replay** has occurred **after Chip Authentication protocol**.

FDP_DAU.1/AA Basic Data Authentication

FDP_DAU.1.1/AA The TSF shall provide a capability to generate evidence that can be used as a guarantee of the validity of **the TOE itself**.

FDP_DAU.1.2/AA The TSF shall provide **any users** with the ability to verify evidence of the validity of the indicated information.

Refinement:

Evidence generation and ability of verifying it constitute the Active Authentication protocol.

FDP_ITC.1/AA Import of user data without security attributes

FDP_ITC.1.1/AA The TSF shall enforce the **Active Authentication Access Control SFP** when importing user data, controlled under the SFP, from outside of the TOE.

FDP_ITC.1.2/AA The TSF shall ignore any security attributes associated with the user data when imported from outside the TOE.

FDP_ITC.1.3/AA The TSF shall enforce the following rules when importing user data controlled under the SFP from outside the TOE: **none**.

7.1.5 Class FMT Security Management

FMT_MOF.1/PROT Management of security functions behaviour

FMT_MOF.1.1/PROT The TSF shall restrict the ability to **enable** the functions

- o **Chip Authentication,**

to **the Manufacturer**.

FMT_MOF.1/AA Management of security functions behaviour

FMT_MOF.1.1/AA The TSF shall restrict the ability to **disable and enable** the functions **TSF Active Authentication** to **Personalization Agent**.

FMT_SMF.1 Specification of Management Functions

FMT_SMF.1.1 The TSF shall be capable of performing the following management functions:

- o **Initialization**

- **Personalization**
- **Chip Authentication protocol.**

FMT_SMR.1 Security roles

FMT_SMR.1.1 The TSF shall maintain the roles

- **Manufacturer**
- **Personalization Agent**
- **Basic Inspection System.**

FMT_SMR.1.2 The TSF shall be able to associate users with roles.

Application Note:

This SFR also applies to the refinement of the role Manufacturer.

FMT_LIM.1 Limited capabilities

FMT_LIM.1.1 The TSF shall be designed in a manner that limits their capabilities so that in conjunction with 'Limited availability (FMT_LIM.2)' the following policy is enforced

Deploying Test Features after TOE Delivery does not allow

- **User Data to be disclosed or manipulated,**
- **TSF data to be disclosed or manipulated,**
- **software to be reconstructed and,**
- **substantial information about construction of TSF to be gathered which may enable other attacks**

FMT_LIM.2 Limited availability

FMT_LIM.2.1 The TSF shall be designed in a manner that limits their availability so that in conjunction with 'Limited capabilities (FMT_LIM.1)' the following policy is enforced

Deploying Test Features after TOE Delivery does not allow

- **User Data to be disclosed or manipulated,**
- **TSF data to be disclosed or manipulated,**
- **software to be reconstructed and,**
- **substantial information about construction of TSF to be gathered which may enable other attacks**

FMT_MTD.1/INI_ENA Management of TSF data

FMT_MTD.1.1/INI_ENA The TSF shall restrict the ability to **write** the **Initialization Data and Pre-personalization Data** to **the Manufacturer**.

Application Note:

Please refer to F.ACW for details of the data written by the manufacturer.

FMT_MTD.1/INI_DIS Management of TSF data

FMT_MTD.1.1/INI_DIS The TSF shall restrict the ability to **disable read access for users** to the **Initialization Data** to **the Personalization Agent**.

FMT_MTD.1/KEY_WRITE Management of TSF data

FMT_MTD.1.1/KEY_WRITE The TSF shall restrict the ability to **write** the **Document Basic Access Keys** to **the Personalization Agent**.

FMT_MTD.1/KEY_READ Management of TSF data

FMT_MTD.1.1/KEY_READ The TSF shall restrict the ability to **read** the **Document Basic Access Keys and Personalization Agent Keys** to **none**.

FMT_MTD.1/CAPK Management of TSF data

FMT_MTD.1.1/CAPK The TSF shall restrict the ability to **write** the **Chip Authentication Keys** to **the Personalization Agent**.

FMT_MTD.1/CAPK_READ Management of TSF data

FMT_MTD.1.1/CAPK_READ The TSF shall restrict the ability to **read** the **Chip Authentication Private Key** to **none**.

FMT_MTD.1/LCS_PERS Management of TSF data

FMT_MTD.1.1/LCS_PERS The TSF shall restrict the ability to **switch** the **LCS** from **phase 6** to **phase 7** to **the Personalization Agent**.

FMT_MTD.1/AA_KEY_READ Management of TSF data

FMT_MTD.1.1/AA_KEY_READ The TSF shall restrict the ability to **read** the **AAK** to **none**.

FMT_MTD.1/AA_KEY_WRITE Management of TSF data

FMT_MTD.1.1/AA_KEY_WRITE The TSF shall restrict the ability to **write** the **AAK** to **Personalization Agent**.

7.1.6 Class FPT Protection of the Security Functions

FPT_EMS.1 TOE Emanation

FPT_EMS.1.1 The TOE shall not emit **power variations, timing variations during command execution** in excess of **non useful information** enabling access to **Personalization Agent Keys** and

- **Chip Authentication Private Key,**
- **Personalization Agent Keys,**
- **BAC Keys,**
- **Active Authentication: Private Key (AAK).**

FPT_EMS.1.2 The TSF shall ensure **unauthorized users** are unable to use the following interface **smart card circuit contacts** to gain access to **Personalization Agent Keys** and

- **Chip Authentication Private Key,**
- **BAC Keys**
- **Active Authentication: Private Key (AAK).**

FPT_FLS.1 Failure with preservation of secure state

FPT_FLS.1.1 The TSF shall preserve a secure state when the following types of failures occur:

- **Exposure to out-of-range operating conditions where therefore a malfunction could occur,**
- **failure detected by TSF according to FPT_TST.1.**

FPT_TST.1 TSF testing

FPT_TST.1.1 The TSF shall run a suite of self tests **at the conditions**

- o **At reset**

to demonstrate the correct operation of **the TSF**.

FPT_TST.1.2 The TSF shall provide authorised users with the capability to verify the integrity of **TSF data**.

FPT_TST.1.3 The TSF shall provide authorised users with the capability to verify the integrity of **stored TSF executable code**.

FPT_PHP.3 Resistance to physical attack

FPT_PHP.3.1 The TSF shall resist **physical manipulation and physical probing** to the **TSF** by responding automatically such that the SFRs are always enforced.

7.1.7 Class FTP Trusted path/channels

FTP_ITC.1/MP Inter-TSF trusted channel

FTP_ITC.1.1/MP The TSF shall provide a communication channel between itself and another trusted IT product that is logically distinct from other communication channels and provides assured identification of its end points and protection of the channel data from modification or disclosure.

FTP_ITC.1.2/MP The TSF shall permit **another trusted IT product** to initiate communication via the trusted channel.

FTP_ITC.1.3/MP The TSF shall initiate communication via the trusted channel for **loading sensitive data (Perso_K, CA_SK) shall be encrypted**.

7.2 Security Assurance Requirements

The assurance components for the evaluation of the TOE and its development and operating environment are those taken from the Evaluation Assurance Level 4 (EAL4) and augmented by taking the following component: ADV_FSP.5, ADV_INT.2, ADV_TDS.4, ALC_CMS.5, ALC_DVS.2, ALC_TAT.2, and ATE_DPT.3.

7.2.1 ADV Development

7.2.1.1 ADV_ARC Security Architecture

ADV_ARC.1 Security architecture description
--

ADV_ARC.1.1D The developer shall design and implement the TOE so that the security features of the TSF cannot be bypassed.

ADV_ARC.1.2D The developer shall design and implement the TSF so that it is able to protect itself from tampering by untrusted active entities.

ADV_ARC.1.3D The developer shall provide a security architecture description of the TSF.

ADV_ARC.1.1C The security architecture description shall be at a level of detail commensurate with the description of the SFR-enforcing abstractions described in the TOE design document.

ADV_ARC.1.2C The security architecture description shall describe the security domains maintained by the TSF consistently with the SFRs.

ADV_ARC.1.3C The security architecture description shall describe how the TSF initialisation process is secure.

ADV_ARC.1.4C The security architecture description shall demonstrate that the TSF protects itself from tampering.

ADV_ARC.1.5C The security architecture description shall demonstrate that the TSF prevents bypass of the SFR-enforcing functionality.

ADV_ARC.1.1E The evaluator shall confirm that the information provided meets all requirements for content and presentation of evidence.

7.2.1.2 ADV_FSP Functional specification

ADV_FSP.5 Complete semi-formal functional specification with additional error information
--

ADV_FSP.5.1D The developer shall provide a functional specification.

ADV_FSP.5.2D The developer shall provide a tracing from the functional specification to the SFRs.

ADV_FSP.5.1C The functional specification shall completely represent the TSF.

ADV_FSP.5.2C The functional specification shall describe the TSFI using a semi-formal style.

ADV_FSP.5.3C The functional specification shall describe the purpose and method of use for all TSFI.

ADV_FSP.5.4C The functional specification shall identify and describe all parameters associated with each TSFI.

ADV_FSP.5.5C The functional specification shall describe all actions associated with each TSFI.

ADV_FSP.5.6C The functional specification shall describe all direct error messages that may result from an invocation of each TSFI.

ADV_FSP.5.7C The functional specification shall describe all error messages that do not result from an invocation of a TSFI.

ADV_FSP.5.8C The functional specification shall provide a rationale for each error message contained in the TSF implementation yet does not result from an invocation of a TSFI.

ADV_FSP.5.9C The tracing shall demonstrate that the SFRs trace to TSFIs in the functional specification.

ADV_FSP.5.1E The evaluator shall confirm that the information provided meets all requirements for content and presentation of evidence.

ADV_FSP.5.2E The evaluator shall determine that the functional specification is an accurate and complete instantiation of the SFRs.

7.2.1.3 ADV_IMP Implementation representation

ADV_IMP.1 Implementation representation of the TSF

ADV_IMP.1.1D The developer shall make available the implementation representation for the entire TSF.

ADV_IMP.1.2D The developer shall provide a mapping between the TOE design description and the sample of the implementation representation.

ADV_IMP.1.1C The implementation representation shall define the TSF to a level of detail such that the TSF can be generated without further design decisions.

ADV_IMP.1.2C The implementation representation shall be in the form used by the development personnel.

ADV_IMP.1.3C The mapping between the TOE design description and the sample of the implementation representation shall demonstrate their correspondence.

ADV_IMP.1.1E The evaluator shall confirm that, for the selected sample of the implementation representation, the information provided meets all requirements for content and presentation of evidence.

7.2.1.4 ADV_TDS TOE design

ADV_TDS.4 Semiformal modular design

ADV_TDS.4.1D The developer shall provide the design of the TOE.

ADV_TDS.4.2D The developer shall provide a mapping from the TSFI of the functional specification to the lowest level of decomposition available in the TOE design.

ADV_TDS.4.1C The design shall describe the structure of the TOE in terms of subsystems.

ADV_TDS.4.2C The design shall describe the TSF in terms of modules, designating each module as SFR-enforcing, SFR-supporting, or SFR-non-interfering.

ADV_TDS.4.3C The design shall identify all subsystems of the TSF.

ADV_TDS.4.4C The design shall provide a semiformal description of each subsystem of the TSF, supported by informal, explanatory text where appropriate.

ADV_TDS.4.5C The design shall provide a description of the interactions among all subsystems of the TSF.

ADV_TDS.4.6C The design shall provide a mapping from the subsystems of the TSF to the modules of the TSF.

ADV_TDS.4.7C The design shall describe each SFR-enforcing and SFR-supporting module in terms of its purpose and relationship with other modules.

ADV_TDS.4.8C The design shall describe each SFR-enforcing and SFR-supporting module in terms of its SFR-related interfaces, return values from those interfaces, interaction with other modules and called SFR-related interfaces to other SFR-enforcing or SFR-supporting modules.

ADV_TDS.4.9C The design shall describe each SFR-non-interfering module in terms of its purpose and interaction with other modules.

ADV_TDS.4.10C The mapping shall demonstrate that all TSFIs trace to the behaviour described in the TOE design that they invoke.

ADV_TDS.4.1E The evaluator shall confirm that the information provided meets all requirements for content and presentation of evidence.

ADV_TDS.4.2E The evaluator shall determine that the design is an accurate and complete instantiation of all security functional requirements.

7.2.1.5 ADV_INT TSF internals

ADV_INT.2 Well-structured internals

ADV_INT.2.1D The developer shall design and implement the entire TSF such that it has well-structured internals.

ADV_INT.2.2D The developer shall provide an internals description and justification.

ADV_INT.2.1C The justification shall describe the characteristics used to judge the meaning of "well-structured".

ADV_INT.2.2C The TSF internals description shall demonstrate that the entire TSF is well-structured.

ADV_INT.2.1E The evaluator shall confirm that the information provided meets all requirements for content and presentation of evidence.

ADV_INT.2.2E The evaluator shall perform an internals analysis on the TSF.

7.2.2 AGD Guidance documents

7.2.2.1 AGD_OPE Operational user guidance

AGD_OPE.1 Operational user guidance

AGD_OPE.1.1D The developer shall provide operational user guidance.

AGD_OPE.1.1C The operational user guidance shall describe, for each user role, the user-accessible functions and privileges that should be controlled in a secure processing environment, including appropriate warnings.

AGD_OPE.1.2C The operational user guidance shall describe, for each user role, how to use the available interfaces provided by the TOE in a secure manner.

AGD_OPE.1.3C The operational user guidance shall describe, for each user role, the available functions and interfaces, in particular all security parameters under the control of the user, indicating secure values as appropriate.

AGD_OPE.1.4C The operational user guidance shall, for each user role, clearly present each type of security-relevant event relative to the user-accessible functions that need to be

performed, including changing the security characteristics of entities under the control of the TSF.

AGD_OPE.1.5C The operational user guidance shall identify all possible modes of operation of the TOE (including operation following failure or operational error), their consequences and implications for maintaining secure operation.

AGD_OPE.1.6C The operational user guidance shall, for each user role, describe the security measures to be followed in order to fulfil the security objectives for the operational environment as described in the ST.

AGD_OPE.1.7C The operational user guidance shall be clear and reasonable.

AGD_OPE.1.1E The evaluator shall confirm that the information provided meets all requirements for content and presentation of evidence.

7.2.2.2 AGD_PRE Preparative procedures

AGD_PRE.1 Preparative procedures

AGD_PRE.1.1D The developer shall provide the TOE including its preparative procedures.

AGD_PRE.1.1C The preparative procedures shall describe all the steps necessary for secure acceptance of the delivered TOE in accordance with the developer's delivery procedures.

AGD_PRE.1.2C The preparative procedures shall describe all the steps necessary for secure installation of the TOE and for the secure preparation of the operational environment in accordance with the security objectives for the operational environment as described in the ST.

AGD_PRE.1.1E The evaluator shall confirm that the information provided meets all requirements for content and presentation of evidence.

AGD_PRE.1.2E The evaluator shall apply the preparative procedures to confirm that the TOE can be prepared securely for operation.

7.2.3 *ALC Life-cycle support*

7.2.3.1 ALC_CMC CM capabilities

ALC_CMC.4 Production support, acceptance procedures and automation

ALC_CMC.4.1D The developer shall provide the TOE and a reference for the TOE.

ALC_CMC.4.2D The developer shall provide the CM documentation.

ALC_CMC.4.3D The developer shall use a CM system.

ALC_CMC.4.1C The TOE shall be labelled with its unique reference.

ALC_CMC.4.2C The CM documentation shall describe the method used to uniquely identify the configuration items.

ALC_CMC.4.3C The CM system shall uniquely identify all configuration items.

ALC_CMC.4.4C The CM system shall provide automated measures such that only authorised changes are made to the configuration items.

ALC_CMC.4.5C The CM system shall support the production of the TOE by automated means.

ALC_CMC.4.6C The CM documentation shall include a CM plan.

ALC_CMC.4.7C The CM plan shall describe how the CM system is used for the development of the TOE.

ALC_CMC.4.8C The CM plan shall describe the procedures used to accept modified or newly created configuration items as part of the TOE.

ALC_CMC.4.9C The evidence shall demonstrate that all configuration items are being maintained under the CM system.

ALC_CMC.4.10C The evidence shall demonstrate that the CM system is being operated in accordance with the CM plan.

ALC_CMC.4.1E The evaluator shall confirm that the information provided meets all requirements for content and presentation of evidence.

7.2.3.2 ALC_CMS CM scope

ALC_CMS.5 Development tools CM coverage

ALC_CMS.5.1D The developer shall provide a configuration list for the TOE.

ALC_CMS.5.1C The configuration list shall include the following: the TOE itself; the evaluation evidence required by the SARs; the parts that comprise the TOE; the implementation representation; security flaw reports and resolution status; and development tools and related information.

ALC_CMS.5.2C The configuration list shall uniquely identify the configuration items.

ALC_CMS.5.3C For each TSF relevant configuration item, the configuration list shall indicate the developer of the item.

ALC_CMS.5.1E The evaluator shall confirm that the information provided meets all requirements for content and presentation of evidence.

7.2.3.3 ALC_DEL Delivery

ALC_DEL.1 Delivery procedures

ALC_DEL.1.1D The developer shall document and provide procedures for delivery of the TOE or parts of it to the consumer.

ALC_DEL.1.2D The developer shall use the delivery procedures.

ALC_DEL.1.1C The delivery documentation shall describe all procedures that are necessary to maintain security when distributing versions of the TOE to the consumer.

ALC_DEL.1.1E The evaluator shall confirm that the information provided meets all requirements for content and presentation of evidence.

7.2.3.4 ALC_DVS Development security

ALC_DVS.2 Sufficiency of security measures

ALC_DVS.2.1D The developer shall produce and provide development security documentation.

ALC_DVS.2.1C The development security documentation shall describe all the physical, procedural, personnel, and other security measures that are necessary to protect the

confidentiality and integrity of the TOE design and implementation in its development environment.

ALC_DVS.2.2C The development security documentation shall justify that the security measures provide the necessary level of protection to maintain the confidentiality and integrity of the TOE.

ALC_DVS.2.1E The evaluator shall confirm that the information provided meets all requirements for content and presentation of evidence.

ALC_DVS.2.2E The evaluator shall confirm that the security measures are being applied.

7.2.3.5 ALC_LCD Life-cycle definition

ALC_LCD.1 Developer defined life-cycle model

ALC_LCD.1.1D The developer shall establish a life-cycle model to be used in the development and maintenance of the TOE.

ALC_LCD.1.2D The developer shall provide life-cycle definition documentation.

ALC_LCD.1.1C The life-cycle definition documentation shall describe the model used to develop and maintain the TOE.

ALC_LCD.1.2C The life-cycle model shall provide for the necessary control over the development and maintenance of the TOE.

ALC_LCD.1.1E The evaluator shall confirm that the information provided meets all requirements for content and presentation of evidence.

7.2.3.6 ALC_TAT Tools and techniques

ALC_TAT.2 Compliance with implementation standards

ALC_TAT.2.1D The developer shall provide the documentation identifying each development tool being used for the TOE.

ALC_TAT.2.2D The developer shall document and provide the selected implementation-dependent options of each development tool.

ALC_TAT.2.3D The developer shall describe and provide the implementation standards that are being applied by the developer.

ALC_TAT.2.1C Each development tool used for implementation shall be well-defined.

ALC_TAT.2.2C The documentation of each development tool shall unambiguously define the meaning of all statements as well as all conventions and directives used in the implementation.

ALC_TAT.2.3C The documentation of each development tool shall unambiguously define the meaning of all implementation-dependent options.

ALC_TAT.2.1E The evaluator shall confirm that the information provided meets all requirements for content and presentation of evidence.

ALC_TAT.2.2E The evaluator shall confirm that the implementation standards have been applied.

7.2.4 ASE Security Target evaluation

7.2.4.1 ASE_CCL Conformance claims

ASE_CCL.1 Conformance claims

ASE_CCL.1.1D The developer shall provide a conformance claim.

ASE_CCL.1.2D The developer shall provide a conformance claim rationale.

ASE_CCL.1.1C The conformance claim shall contain a CC conformance claim that identifies the version of the CC to which the ST and the TOE claim conformance.

ASE_CCL.1.2C The CC conformance claim shall describe the conformance of the ST to CC Part 2 as either CC Part 2 conformant or CC Part 2 extended.

ASE_CCL.1.3C The CC conformance claim shall describe the conformance of the ST to CC Part 3 as either CC Part 3 conformant or CC Part 3 extended.

ASE_CCL.1.4C The CC conformance claim shall be consistent with the extended components definition.

ASE_CCL.1.5C The conformance claim shall identify all PPs and security requirement packages to which the ST claims conformance.

ASE_CCL.1.6C The conformance claim shall describe any conformance of the ST to a package as either package-conformant or package-augmented.

ASE_CCL.1.7C The conformance claim rationale shall demonstrate that the TOE type is consistent with the TOE type in the PPs for which conformance is being claimed.

ASE_CCL.1.8C The conformance claim rationale shall demonstrate that the statement of the security problem definition is consistent with the statement of the security problem definition in the PPs for which conformance is being claimed.

ASE_CCL.1.9C The conformance claim rationale shall demonstrate that the statement of security objectives is consistent with the statement of security objectives in the PPs for which conformance is being claimed.

ASE_CCL.1.10C The conformance claim rationale shall demonstrate that the statement of security requirements is consistent with the statement of security requirements in the PPs for which conformance is being claimed.

ASE_CCL.1.1E The evaluator shall confirm that the information provided meets all requirements for content and presentation of evidence.

7.2.4.2 ASE_ECD Extended components definition

ASE_ECD.1 Extended components definition

ASE_ECD.1.1D The developer shall provide a statement of security requirements.

ASE_ECD.1.2D The developer shall provide an extended components definition.

ASE_ECD.1.1C The statement of security requirements shall identify all extended security requirements.

ASE_ECD.1.2C The extended components definition shall define an extended component for each extended security requirement.

ASE_ECD.1.3C The extended components definition shall describe how each extended component is related to the existing CC components, families, and classes.

ASE_ECD.1.4C The extended components definition shall use the existing CC components, families, classes, and methodology as a model for presentation.

ASE_ECD.1.5C The extended components shall consist of measurable and objective elements such that conformance or nonconformance to these elements can be demonstrated.

ASE_ECD.1.1E The evaluator shall confirm that the information provided meets all requirements for content and presentation of evidence.

ASE_ECD.1.2E The evaluator shall confirm that no extended component can be clearly expressed using existing components.

7.2.4.3 ASE_INT ST introduction

ASE_INT.1 ST introduction

ASE_INT.1.1D The developer shall provide an ST introduction.

ASE_INT.1.1C The ST introduction shall contain an ST reference, a TOE reference, a TOE overview and a TOE description.

ASE_INT.1.2C The ST reference shall uniquely identify the ST.

ASE_INT.1.3C The TOE reference shall identify the TOE.

ASE_INT.1.4C The TOE overview shall summarise the usage and major security features of the TOE.

ASE_INT.1.5C The TOE overview shall identify the TOE type.

ASE_INT.1.6C The TOE overview shall identify any non-TOE hardware/software/firmware required by the TOE.

ASE_INT.1.7C The TOE description shall describe the physical scope of the TOE.

ASE_INT.1.8C The TOE description shall describe the logical scope of the TOE.

ASE_INT.1.1E The evaluator shall confirm that the information provided meets all requirements for content and presentation of evidence.

ASE_INT.1.2E The evaluator shall confirm that the TOE reference, the TOE overview, and the TOE description are consistent with each other.

7.2.4.4 ASE_OBJ Security objectives

ASE_OBJ.2 Security objectives

ASE_OBJ.2.1D The developer shall provide a statement of security objectives.

ASE_OBJ.2.2D The developer shall provide a security objectives rationale.

ASE_OBJ.2.1C The statement of security objectives shall describe the security objectives for the TOE and the security objectives for the operational environment.

ASE_OBJ.2.2C The security objectives rationale shall trace each security objective for the TOE back to threats countered by that security objective and OSPs enforced by that security objective.

ASE_OBJ.2.3C The security objectives rationale shall trace each security objective for the operational environment back to threats countered by that security objective, OSPs enforced by that security objective, and assumptions upheld by that security objective.

ASE_OBJ.2.4C The security objectives rationale shall demonstrate that the security objectives counter all threats.

ASE_OBJ.2.5C The security objectives rationale shall demonstrate that the security objectives enforce all OSPs.

ASE_OBJ.2.6C The security objectives rationale shall demonstrate that the security objectives for the operational environment uphold all assumptions.

ASE_OBJ.2.1E The evaluator shall confirm that the information provided meets all requirements for content and presentation of evidence.

7.2.4.5 ASE_REQ Security requirements

ASE_REQ.2 Derived security requirements

ASE_REQ.2.1D The developer shall provide a statement of security requirements.

ASE_REQ.2.2D The developer shall provide a security requirements rationale.

ASE_REQ.2.1C The statement of security requirements shall describe the SFRs and the SARs.

ASE_REQ.2.2C All subjects, objects, operations, security attributes, external entities and other terms that are used in the SFRs and the SARs shall be defined.

ASE_REQ.2.3C The statement of security requirements shall identify all operations on the security requirements.

ASE_REQ.2.4C All operations shall be performed correctly.

ASE_REQ.2.5C Each dependency of the security requirements shall either be satisfied, or the security requirements rationale shall justify the dependency not being satisfied.

ASE_REQ.2.6C The security requirements rationale shall trace each SFR back to the security objectives for the TOE.

ASE_REQ.2.7C The security requirements rationale shall demonstrate that the SFRs meet all security objectives for the TOE.

ASE_REQ.2.8C The security requirements rationale shall explain why the SARs were chosen.

ASE_REQ.2.9C The statement of security requirements shall be internally consistent.

ASE_REQ.2.1E The evaluator shall confirm that the information provided meets all requirements for content and presentation of evidence.

7.2.4.6 ASE_SPD Security problem definition

ASE_SPD.1 Security problem definition

ASE_APD.1.1D The developer shall provide a security problem definition.

ASE_SPD.1.1C The security problem definition shall describe the threats.

ASE_SPD.1.2C All threats shall be described in terms of a threat agent, an asset, and an adverse action.

ASE_SPD.1.3C The security problem definition shall describe the OSPs.

ASE_SPD.1.4C The security problem definition shall describe the assumptions about the operational environment of the TOE.

ASE_SPD.1.1E The evaluator shall confirm that the information provided meets all requirements for content and presentation of evidence.

7.2.4.7 ASE_TSS TOE summary specification

ASE_TSS.1 TOE summary specification

ASE_TSS.1.1D The developer shall provide a TOE summary specification.

ASE_TSS.1.1C The TOE summary specification shall describe how the TOE meets each SFR.

ASE_TSS.1.1E The evaluator shall confirm that the information provided meets all requirements for content and presentation of evidence.

ASE_TSS.1.2E The evaluator shall confirm that the TOE summary specification is consistent with the TOE overview and the TOE description.

7.2.5 ATE Tests

7.2.5.1 ATE_COV Coverage

ATE_COV.2 Analysis of coverage

ATE_COV.2.1D The developer shall provide an analysis of the test coverage.

ATE_COV.2.1C The analysis of the test coverage shall demonstrate the correspondence between the tests in the test documentation and the TSFIs in the functional specification.

ATE_COV.2.2C The analysis of the test coverage shall demonstrate that all TSFIs in the functional specification have been tested.

ATE_COV.2.1E The evaluator shall confirm that the information provided meets all requirements for content and presentation of evidence.

7.2.5.2 ATE_DPT Depth

ATE_DPT.3 Testing: modular design

ATE_DPT.3.1D The developer shall provide the analysis of the depth of testing.

ATE_DPT.3.1C The analysis of the depth of testing shall demonstrate the correspondence between the tests in the test documentation and the TSF subsystems and modules in the TOE design.

ATE_DPT.3.2C The analysis of the depth of testing shall demonstrate that all TSF subsystems in the TOE design have been tested.

ATE_DPT.3.3C The analysis of the depth of testing shall demonstrate that all TSF modules in the TOE design have been tested.

ATE_DPT.3.1E The evaluator shall confirm that the information provided meets all requirements for content and presentation of evidence.

7.2.5.3 ATE_FUN Functional tests

ATE_FUN.1 Functional testing

ATE_FUN.1.1D The developer shall test the TSF and document the results.

ATE_FUN.1.2D The developer shall provide test documentation.

ATE_FUN.1.1C The test documentation shall consist of test plans, expected test results and actual test results.

ATE_FUN.1.2C The test plans shall identify the tests to be performed and describe the scenarios for performing each test. These scenarios shall include any ordering dependencies on the results of other tests.

ATE_FUN.1.3C The expected test results shall show the anticipated outputs from a successful execution of the tests.

ATE_FUN.1.4C The actual test results shall be consistent with the expected test results.

ATE_FUN.1.1E The evaluator shall confirm that the information provided meets all requirements for content and presentation of evidence.

7.2.5.4 ATE_IND Independent testing

ATE_IND.2 Independent testing - sample

ATE_IND.2.1D The developer shall provide the TOE for testing.

ATE_IND.2.1C The TOE shall be suitable for testing.

ATE_IND.2.2C The developer shall provide an equivalent set of resources to those that were used in the developer's functional testing of the TSF.

ATE_IND.2.1E The evaluator shall confirm that the information provided meets all requirements for content and presentation of evidence.

ATE_IND.2.2E The evaluator shall execute a sample of tests in the test documentation to verify the developer test results.

ATE_IND.2.3E The evaluator shall test a subset of the TSF to confirm that the TSF operates as specified.

7.2.6 AVA Vulnerability assessment

7.2.6.1 AVA_VAN Vulnerability analysis

AVA_VAN.3 Focused vulnerability analysis

AVA_VAN.3.1D The developer shall provide the TOE for testing.

AVA_VAN.3.1C The TOE shall be suitable for testing.

AVA_VAN.3.1E The evaluator shall confirm that the information provided meets all requirements for content and presentation of evidence.

AVA_VAN.3.2E The evaluator shall perform a search of public domain sources to identify potential vulnerabilities in the TOE.

AVA_VAN.3.3E The evaluator shall perform an independent, focused vulnerability analysis of the TOE using the guidance documentation, functional specification, TOE design, security

architecture description and implementation representation to identify potential vulnerabilities in the TOE.

AVA_VAN.3.4E The evaluator shall conduct penetration testing, based on the identified potential vulnerabilities, to determine that the TOE is resistant to attacks performed by an attacker possessing Enhanced-Basic attack potential.

7.3 Security Requirements Rationale

7.3.1 Objectives

7.3.1.1 Security Objectives for the TOE

OT.AC_Pers The security objective OT.AC_Pers "Access Control for Personalization of logical MRTD" addresses the access control of the writing the logical MRTD. The write access to the logical MRTD data are defined by the SFR FDP_ACC.1/BAC and FDP_ACF.1/BAC as follows: only the successfully authenticated Personalization Agent is allowed to write the data of the groups EF.DG1 to EF.DG16 of the logical MRTD. FMT_MTD.1/LCS_PERS controls transition from lifecycle phase 6 to phase 7. The following paragraph is extracted from [PP_BAC] and has been refined according to the technical characteristics of this TOE. The refinement is right after.

The authentication of the terminal as Personalization Agent shall be performed by TSF according to SFR FIA_UAU.4 and FIA_UAU.5/MP. The Personalization Agent can be authenticated either by using the BAC mechanism (FCS_CKM.1/BAC, FCS_COP.1/BAC_SHA, FCS_RND.1 (for key generation), and FCS_COP.1/BAC_ENC as well as FCS_COP.1/BAC_MAC) with the personalization key or for reasons of interoperability with the [PP_EAC] by using the symmetric authentication mechanism (FCS_COP.1/ AUTH)6.

In case of using the BAC mechanism the SFR FIA_UAU.6/BAC describes the re-authentication and FDP_UCT.1/BAC and FDP_UIT.1/BAC the protection of the transmitted data by means of secure messaging implemented by the cryptographic functions according to FCS_CKM.1/BAC, FCS_COP.1/BAC_SHA, FCS_RND.1 (for key generation), and FCS_COP.1/BAC_ENC as well as FCS_COP.1/BAC_MAC for the ENC_MAC_Mode.

Note: As BAC mechanism is not supported for the authentication of the terminal as Personalization Agent, the following two paragraphs have been added to demonstrate that symmetric authentication used in Personalization phase fulfills the OT.AC_Pers.

The authentication of the terminal as Personalization Agent is performed by TSF according to SFR FIA_UAU.4 and FIA_UAU.5/BAC. The Personalization Agent can be authenticated by using the symmetric authentication mechanism (FCS_COP.1/AUTH) with the personalization key. FIA_UAU.6/MP describes the re-authentication. In case of failed authentication attempts FIA_AFL.1/MP enforces additional waiting time prolonging the necessary amount of time for facilitating a brute force attack.

As the symmetric authentication is used in Personalization phase, the SFR FIA_UAU.6/MP describes the re-authentication and the protection of the transmitted data is assumed by means of secure messaging implemented by the cryptographic functions according to FCS_CKM.1/GP, FCS_RND.1 (for key generation), and FCS_COP.1/GP_ENC as well as FCS_COP.1/GP_MAC for the ENC_MAC_Mode. The SFR FCS_CKM.4 enforces the destruction of Secure Messaging session keys.

The SFR FMT_SMR.1 lists the roles (including Personalization Agent) and the SFR FMT_SMF.1 lists the TSF management functions (including Personalization) setting the Document Basic Access Keys according to the SFR FMT_MTD.1/KEY_WRITE as authentication reference data. The SFR FMT_MTD.1/KEY_READ prevents read access to the secret key of the Personalization Agent Keys and ensure together with the SFR FCS_CKM.4, FPT_EMS.1, FPT_FLS.1 and FPT_PHP.3 the confidentiality of these keys.

The following parts are added to integrate the personalization of the different keys in the OT.AC_Pers.

Only the Personalization Agent is allowed to set the Document Basic Access Keys according to the SFR FMT_MTD.1/KEY_WRITE. The SFR FMT_MTD.1/KEY_READ prevents read access to the Document Basic Access Keys and ensure together with the SFR FCS_CKM.4, FPT_EMS.1, FPT_FLS.1 and FPT_PHP.3 the confidentiality of these keys.

Only the Personalization Agent is allowed to set the Chip Authentication Private Key according to the SFR FMT_MTD.1/CAPK. The SFR FMT_MTD.1/CAPK_READ prevents read access to the Chip Authentication Private Key and ensure together with the SFR FCS_CKM.4, FPT_EMS.1, FPT_FLS.1 and FPT_PHP.3 the confidentiality of these keys.

The Personalization Agent is the only subject allowed to ends Personalization of logical MRTD, setting the TOE Life Cycle State in Operational Use state according to FMT_MTD.1.1/LCS_PERS. Since then it is no more possible to return in Personalization state.

OT.Data_Int The security objective OT.Data_Int "Integrity of personal data" requires the TOE to protect the integrity of the logical MRTD stored on the MRTD's chip against physical manipulation and unauthorized writing. The write access to the logical MRTD data is defined by the SFRs (FDP_ACC.1/BAC, FDP_ACC.1/CA) and (FDP_ACF.1/BAC, FDP_ACF.1/CA) in the same way: only the Personalization Agent is allowed to write the data of the groups EF.DG1 to EF.DG16 of the logical MRTD (FDP_ACF.1.2/BAC, rule 1) and terminals are not allowed to modify any of the data groups EF.DG1 to EF.DG16 of the logical MRTD (cf. FDP_ACF.1.4/BAC). The SFR FMT_SMR.1 lists the roles (including Personalization Agent) and the SFR FMT_SMF.1 lists the TSF management functions (including Personalization). The authentication of the terminal as Personalization Agent shall be performed by TSF according to SFR FIA_UAU.4, FIA_UAU.5/BAC and FIA_UAU.6/BAC using FCS_COP.1/AUTH.

The security objective OT.Data_Int "Integrity of personal data" requires the TOE to ensure that the inspection system is able to detect any modification of the transmitted logical MRTD data by means of the BAC mechanism. The SFR FIA_UAU.6/BAC, FDP_UCT.1/BAC and FDP_UIT.1/BAC requires the protection of the transmitted data by means of secure messaging implemented by the cryptographic functions according to FCS_CKM.1/BAC, FCS_COP.1/BAC_SHA, FCS_RND.1 (for key generation), and FCS_COP.1/BAC_ENC and FCS_COP.1/BAC_MAC for the ENC_MAC_Mode. The SFR FMT_MTD.1/KEY_WRITE requires the Personalization Agent to establish the Document Basic Access Keys in a way that they cannot be read by anyone in accordance to FMT_MTD.1/KEY_READ.

The following part is added to integrate the Manufacturing and Personalization phases in the OT_Data_Int.

Manufacturer and Personalization Agent are also able to detect any modification of the transmitted logical MRTD data by means of the Symmetric Authentication mechanism. The SFR FIA_UAU.6/MP requires the re-authentication and the protection of the transmitted data is assumed by means of secure messaging implemented by the cryptographic functions according to FCS_CKM.1/GP, FCS_RND.1 (for key generation), and FCS_COP.1/GP_ENC and FCS_COP.1/GP_MAC for the ENC_MAC_Mode.

The following part is added to integrate the Chip Authentication mechanism in the coverage of the OT.Data_Int.

The inspection system is also able to detect any modification of the transmitted logical MRTD data by means of the Chip Authentication mechanism. The SFR FIA_UAU.6/CA, FDP_UCT.1/CA and FDP_UIT.1/CA requires the protection of the transmitted data by means of secure messaging implemented by the cryptographic functions according to FCS_CKM.1/CA FCS_COP.1/CA_SHA, FCS_RND.1 (for key generation), and FCS_COP.1/CA_ENC and FCS_COP.1/CA_MAC for the ENC_MAC_Mode. The SFR FMT_MTD.1/CAPK requires the Personalization Agent to establish the Chip Authentication Private Key in a way that it cannot be read by anyone in accordance to FMT_MTD.1/CAPK_READ. FCS_CKM.4 enforces the destruction of Secure Messaging session keys.

OT.Data_Conf The security objective OT.Data_Conf “Confidentiality of personal data” requires the TOE to ensure the confidentiality of the logical MRTD data groups EF.DG1 to EF.DG16. The SFR FIA_UID.1 and FIA_UAU.1 allow only those actions before identification respective authentication which do not violate OT.Data_Conf. In case of failed authentication attempts FIA_AFL.1/BAC enforces additional waiting time prolonging the necessary amount of time for facilitating a brute force attack. The read access to the logical MRTD data is defined by the FDP_ACC.1/BAC and FDP_ACF.1/BAC: the successful authenticated Personalization Agent is allowed to read the data of the logical MRTD (EF.DG1 to EF.DG16). The successful authenticated Basic Inspection System is allowed to read the data of the logical MRTD (EF.DG1, EF.DG2 and EF.DG5 to EF.DG16). The SFR FMT_SMR.1 lists the roles (including Personalization Agent and Basic Inspection System) and the SFR FMT_SMF.1 lists the TSF management functions (including Personalization for the key management for the Document Basic Access Keys).

The SFR FIA_UAU.4 prevents reuse of authentication data to strengthen the authentication of the user. The SFR FIA_UAU.5/BAC enforces the TOE to accept the authentication attempt as Basic Inspection System only by means of the Basic Access Control Authentication Mechanism with the Document Basic Access Keys. Moreover, the SFR FIA_UAU.6/BAC requests secure messaging after successful authentication of the terminal with Basic Access Control Authentication Mechanism which includes the protection of the transmitted data in ENC_MAC_Mode by means of the cryptographic functions according to FCS_COP.1/BAC_ENC and FCS_COP.1/BAC_MAC (cf. the SFR FDP_UCT.1/BAC and FDP_UIT.1/BAC). (for key generation), and FCS_COP.1/BAC_ENC and FCS_COP.1/BAC_MAC for the ENC_MAC_Mode. The SFR FCS_CKM.1/BAC, FCS_CKM.4, FCS_COP.1/BAC_SHA and FCS_RND.1 establish the key management for the secure messaging keys. The SFR FMT_MTD.1/KEY_WRITE addresses the key management and FMT_MTD.1/KEY_READ prevents reading of the Document Basic Access Keys.

The following part is added to integrate the Manufacturing and Personalization phases in the OT_Data_Conf.

Manufacturer and Personalization Agent are also able to detect any modification of the transmitted logical MRTD data by means of the Symmetric Authentication mechanism. The SFR FIA_UAU.6/MP requires the protection of the transmitted data by means of secure messaging implemented by the cryptographic functions according to FCS_CKM.1/GP, FCS_RND.1 (for key generation), and FCS_COP.1/GP_ENC and FCS_COP.1/GP_MAC for the ENC_MAC_Mode.

The following parts are added to integrate the Chip Authentication mechanism and the Symmetric Authentication mechanism used in Personalization phase in the coverage of the OT.Data_Conf.

The SFR FIA_UAU.5/CA enforces the TOE to accept only received commands with correct message authentication code sent by means of secure messaging with key agreed with the terminal by means of the Chip Authentication Mechanism. Moreover, the SFR FIA_UAU.6/CA requests secure messaging after successful authentication of the chip which includes the protection of the transmitted data in ENC_MAC_Mode by means of the cryptographic functions according to FCS_COP.1/CA_ENC and FCS_COP.1/CA_MAC (cf. the SFR FDP_UCT.1/CA and FDP_UIT.1/CA). (for key generation), and FCS_COP.1/CA_ENC and FCS_COP.1/CA_MAC for the ENC_MAC_Mode. The SFR FCS_CKM.1/CA, FCS_CKM.4, FCS_COP.1/CA_SHA and FCS_RND.1 establish the key management for the secure messaging keys. The SFR FMT_MTD.1/CAPK addresses the key management and FMT_MTD.1/CAPK_READ prevents reading of the Chip Authentication Private Key. During Personalization of logical MRTD, the Chip Authentication Private Key is transmitted ciphered and the TSF deciphers these keys according to SFR FCS_COP.1/GP_KEY_DEC (FCS_CKM.1/GP and FCS_RND.1 for decryption session key generation; FCS_CKM.4 for decryption session key destruction).

OT.Identification The security objective OT.Identification "Identification and Authentication of the TOE" address the storage of the IC Identification Data uniquely identifying the MRTD's chip in its non-volatile memory. This will be ensured by TSF according to SFR FAU_SAS.1.

Furthermore, the TOE shall identify itself only to a successful authenticated Basic Inspection System in Phase 4 "Operational Use". The SFR FMT_MTD.1/INI_ENA allows only the Manufacturer to write Initialization Data and Pre-personalization Data (including the Personalization Agent key). The SFR FMT_MTD.1/INI_DIS allows the Personalization Agent to disable Initialization Data if their usage in the phase 4 "Operational Use" violates the security objective OT.Identification. The SFR FIA_UID.1 and FIA_UAU.1 do not allow reading of any data uniquely identifying the MRTD's chip before successful authentication of the Basic Inspection Terminal and will stop communication after unsuccessful authentication attempt. In case of failed authentication attempts FIA_AFL.1/BAC enforces additional waiting time prolonging the necessary amount of time for facilitating a brute force attack.

OT.Prot_Abuse-Func The security objective OT.Prot_Abuse-Func "Protection against Abuse of Functionality" is ensured by the SFR FMT_LIM.1 and FMT_LIM.2 which prevent misuse of test functionality of the TOE or other features which may not be used after TOE Delivery.

OT.Prot_Inf_Leak The security objective OT.Prot_Inf_Leak "Protection against Information Leakage" requires the TOE to protect confidential TSF data stored and/or processed in the MRTD's chip against disclosure

- o by measurement and analysis of the shape and amplitude of signals or the time between events found by measuring signals on the electromagnetic field, power consumption, clock, or I/O lines, which is addressed by the SFR FPT_EMS.1,
- o by forcing a malfunction of the TOE, which is addressed by the SFR FPT_FLS.1 and FPT_TST.1, and/or
- o by a physical manipulation of the TOE, which is addressed by the SFR FPT_PHP.3.

OT.Prot_Phys-Tamper The security objective OT.Prot_Phys-Tamper “Protection against Physical Tampering” is covered by the SFR FPT_PHP.3.

OT.Prot_Malfunction The security objective OT.Prot_Malfunction “Protection against Malfunctions” is covered by (i) the SFR FPT_TST.1 which requires self tests to demonstrate the correct operation and tests of authorized users to verify the integrity of TSF data and TSF code, and (ii) the SFR FPT_FLS.1 which requires a secure state in case of detected failure or operating conditions possibly causing a malfunction.

OT.Chip_Auth_Proof The security objective OT.Chip_Auth_Proof “Proof of MRTD’s chip authenticity” is ensured by the Chip Authentication Protocol activated by FMT_MOF.1/PROT and provided by FIA_API.1/CA proving the genuineness of the TOE. The Chip Authentication Protocol defined by FCS_CKM.1/CA is performed using a TOE internally stored confidential private key. Confidentiality of this key is ensured by FMT_MTD.1/CAPK and FMT_MTD.1/CAPK_READ. The Chip Authentication Protocol [TR_03110] requires additional TSF according to FCS_COP.1/CA_SHA (for the derivation of the session keys) using FCS_RND.1, FCS_COP.1/CA_ENC and FCS_COP.1/CA_MAC (for the ENC_MAC_Mode secure messaging).

OT.Configuration The security objective OT.Configuration “Protection of the TOE preparation” addresses management of the Data Configuration, Pre-personalization Agent keys, Personalization Agent keys and the Life Cycle State of the TOE.

The authentication of the terminal as Manufacturer is performed by TSF according to SFR FIA_UAU.4 and FIA_UAU.5/MP. The Manufacturer can be authenticated by using the symmetric authentication mechanism (FCS_COP.1/GP_AUTH) with the Pre-personalization key. FIA_UAU.6/MP describes the re-authentication. In case of failed authentication attempts FIA_AFL.1/MP enforces additional waiting time prolonging the necessary amount of time for facilitating a brute force attack. The SFR FTP_ITC.1/MP allows the Manufacturer to communicate with the OS.

Once phase 4 is done, the MRTD packaging responsible is allowed to set the Pre-personalization Agent keys according to the SFR and FCS_COP.1/GP_KEY_DEC.

In phase 5, the authentication of the terminal as Manufacturer shall be performed by TSF according to SFR FIA_UAU.4 and FIA_UAU.5/MP. The Manufacturer shall be authenticated by using the symmetric authentication mechanism (FCS_COP.1/GP_AUTH).

In case of failed authentication attempts FIA_AFL.1/MP enforces additional waiting time prolonging the necessary amount of time for facilitating a brute force attack

The SFR FIA_UAU.6/MP describes the re-authentication and the protection of the transmitted data is assumed by means of secure messaging implemented by the cryptographic functions according to FCS_CKM.1/GP, FCS_RND.1 (for key generation), and FCS_COP.1/GP_ENC as well as FCS_COP.1/GP_MAC for the ENC_MAC_Mode. The SFR FCS_CKM.4 enforces the destruction of Secure Messaging session keys.

The Manufacturer can enable Chip Authentication functionalities following FMT_MOF.1/PROT.

FPT_PHP.3 deals with the physical protection of the TOE and FPT_FLS.1 ensures safety of the TOE in case of a failure. FPT_EMS.1 ensures no emissions allow access to data stored on the TOE.

FMT_SMF.1 controls the management functions along with FMT_SMR.1.

OT.AA_Proof The security objective OT.AA_Proof is ensured by the Active Authentication Protocol activated by FMT_MOF.1/AA and provided by FDP_DAU.1/AA, FDP_ITC.1/AA proving the identity and authenticity of the TOE. The Active Authentication relies on FCS_COP.1/AA and FCS_RND.1. It is performed using a TOE internally stored confidential private key as required by FMT_MTD.1/AA_KEY_WRITE and FMT_MTD.1/AA_KEY_READ.

OT.Data_Int_AA The security objective OT.AA_Proof is ensured by the Active Authentication Protocol activated by FMT_MOF.1/AA and provided by FDP_DAU.1/AA and FDP_ITC.1/AA proving the identity and authenticity of the TOE.

7.3.2 Rationale tables of Security Objectives and SFRs

Security Objectives	Security Functional Requirements	Rationale
OT.AC Pers	FCS_CKM.1/GP , FCS_CKM.4 , FCS_COP.1/AUTH , FCS_COP.1/GP_ENC , FCS_COP.1/GP_MAC , FCS_RND.1 , FIA_UAU.4 , FIA_UAU.5/BAC , FIA_UAU.6/MP , FIA_AFL.1/MP , FDP_ACC.1/BAC , FDP_ACF.1/BAC , FMT_SMF.1 , FMT_SMR.1 , FMT_MTD.1/KEY_WRITE , FMT_MTD.1/KEY_READ , FMT_MTD.1/CAPK , FMT_MTD.1/CAPK_READ , FMT_MTD.1/LCS_PERS , FPT_EMS.1 , FPT_FLS.1 , FPT_PHP.3 , FCS_COP.1/BAC_SHA , FCS_CKM.1/BAC , FIA_UAU.5/MP , FIA_UAU.6/BAC , FDP_UCT.1/BAC , FDP_UIT.1/BAC , FCS_COP.1/BAC_ENC , FCS_COP.1/BAC_MAC	Section 7.3.1
OT.Data Int	FCS_CKM.1/BAC , FCS_CKM.1/GP , FCS_CKM.1/CA , FCS_CKM.4 , FCS_COP.1/BAC_SHA , FCS_COP.1/BAC_ENC , FCS_COP.1/AUTH , FCS_COP.1/BAC_MAC , FCS_COP.1/GP_ENC , FCS_COP.1/GP_MAC , FCS_COP.1/CA_SHA , FCS_COP.1/CA_ENC , FCS_COP.1/CA_MAC , FIA_UAU.4 , FIA_UAU.5/BAC , FIA_UAU.6/BAC , FIA_UAU.6/MP , FIA_UAU.6/CA , FDP_ACC.1/BAC , FDP_ACF.1/BAC , FDP_UCT.1/BAC , FDP_UCT.1/CA , FDP_UIT.1/BAC , FDP_UIT.1/CA , FMT_SMF.1 , FMT_SMR.1 , FMT_MTD.1/KEY_WRITE , FMT_MTD.1/KEY_READ , FMT_MTD.1/CAPK , FMT_MTD.1/CAPK_READ , FDP_ACC.1/CA , FDP_ACF.1/CA , FCS_RND.1	Section 7.3.1
OT.Data Conf	FCS_CKM.1/BAC , FCS_CKM.1/GP , FCS_CKM.1/CA , FCS_CKM.4 , FCS_COP.1/BAC_SHA , FCS_COP.1/BAC_ENC , FCS_COP.1/BAC_MAC , FCS_COP.1/GP_ENC , FCS_COP.1/GP_MAC , FCS_COP.1/GP_KEY_DEC , FCS_COP.1/CA_SHA , FCS_COP.1/CA_ENC , FCS_COP.1/CA_MAC , FCS_RND.1 , FIA_UID.1 , FIA_UAU.1 , FIA_UAU.4 , FIA_UAU.5/BAC , FIA_UAU.5/CA , FIA_UAU.6/BAC , FIA_UAU.6/MP , FIA_UAU.6/CA , FIA_AFL.1/BAC ,	Section 7.3.1

	FDP ACC.1/BAC , FDP ACF.1/BAC , FDP UCT.1/BAC , FDP UCT.1/CA , FDP UIT.1/BAC , FDP UIT.1/CA , FMT SMF.1 , FMT SMR.1 , FMT MTD.1/KEY WRITE , FMT MTD.1/KEY READ , FMT MTD.1/CAPK , FMT MTD.1/CAPK READ	
OT.Identification	FAU SAS.1 , FIA UID.1 , FIA UAU.1 , FIA AFL.1/BAC , FMT MTD.1/INI ENA , FMT MTD.1/INI DIS	Section 7.3.1
OT.Prot Abuse-Func	FMT LIM.1 , FMT LIM.2	Section 7.3.1
OT.Prot Inf Leak	FPT EMS.1 , FPT FLS.1 , FPT TST.1 , FPT PHP.3	Section 7.3.1
OT.Prot Phys-Tamper	FPT PHP.3	Section 7.3.1
OT.Prot Malfunction	FPT FLS.1 , FPT TST.1	Section 7.3.1
OT.Chip Auth Proof	FCS CKM.1/CA , FCS COP.1/CA SHA , FCS COP.1/CA ENC , FCS COP.1/CA MAC , FCS RND.1 , FIA API.1/CA , FMT MOF.1/PROT , FMT MTD.1/CAPK , FMT MTD.1/CAPK READ	Section 7.3.1
OT.Configuration	FCS CKM.1/GP , FCS CKM.4 , FCS COP.1/GP ENC , FCS COP.1/GP AUTH , FCS COP.1/GP MAC , FCS COP.1/GP KEY DEC , FCS RND.1 , FIA UAU.4 , FIA UAU.5/MP , FIA UAU.6/MP , FIA AFL.1/MP , FMT MOF.1/PROT , FMT SMF.1 , FMT SMR.1 , FPT EMS.1 , FPT FLS.1 , FPT PHP.3 , FPT ITC.1/MP	Section 7.3.1
OT.AA Proof	FCS COP.1/AA , FDP DAU.1/AA , FDP ITC.1/AA , FMT MTD.1/AA KEY READ , FMT MTD.1/AA KEY WRITE , FMT MOF.1/AA , FCS RND.1	Section 7.3.1
OT.Data Int AA	FDP DAU.1/AA , FDP ITC.1/AA , FMT MOF.1/AA	Section 7.3.1

Table 16 Security Objectives and SFRs - Coverage

Security Functional Requirements	Security Objectives
FAU SAS.1	OT.Identification
FCS CKM.1/BAC	OT.AC Pers , OT.Data Int , OT.Data Conf
FCS CKM.1/GP	OT.AC Pers , OT.Data Int , OT.Data Conf , OT.Configuration
FCS CKM.1/CA	OT.Data Int , OT.Data Conf , OT.Chip Auth Proof
FCS CKM.4	OT.AC Pers , OT.Data Int , OT.Data Conf , OT.Configuration
FCS COP.1/BAC SHA	OT.AC Pers , OT.Data Int , OT.Data Conf
FCS COP.1/BAC ENC	OT.AC Pers , OT.Data Int , OT.Data Conf

FCS COP.1/AUTH	OT.AC Pers , OT.Data Int
FCS COP.1/BAC MAC	OT.AC Pers , OT.Data Int , OT.Data Conf
FCS COP.1/GP ENC	OT.AC Pers , OT.Data Int , OT.Data Conf , OT.Configuration
FCS COP.1/GP AUTH	OT.Configuration
FCS COP.1/GP MAC	OT.AC Pers , OT.Data Int , OT.Data Conf , OT.Configuration
FCS COP.1/GP KEY DEC	OT.Data Conf , OT.Configuration
FCS COP.1/CA SHA	OT.Data Int , OT.Data Conf , OT.Chip Auth Proof
FCS COP.1/CA ENC	OT.Data Int , OT.Data Conf , OT.Chip Auth Proof
FCS COP.1/CA MAC	OT.Data Int , OT.Data Conf , OT.Chip Auth Proof
FCS COP.1/AA	OT.AA Proof
FCS RND.1	OT.AC Pers , OT.Data Int , OT.Data Conf , OT.Chip Auth Proof , OT.Configuration , OT.AA Proof
FIA UID.1	OT.Data Conf , OT.Identification
FIA UAU.1	OT.Data Conf , OT.Identification
FIA UAU.4	OT.AC Pers , OT.Data Int , OT.Data Conf , OT.Configuration
FIA UAU.5/BAC	OT.AC Pers , OT.Data Int , OT.Data Conf
FIA UAU.5/MP	OT.AC Pers , OT.Configuration
FIA UAU.5/CA	OT.Data Conf
FIA UAU.6/BAC	OT.AC Pers , OT.Data Int , OT.Data Conf
FIA UAU.6/MP	OT.AC Pers , OT.Data Int , OT.Data Conf , OT.Configuration
FIA UAU.6/CA	OT.Data Int , OT.Data Conf
FIA AFL.1/BAC	OT.Data Conf , OT.Identification
FIA AFL.1/MP	OT.AC Pers , OT.Configuration
FIA API.1/CA	OT.Chip Auth Proof
FDP ACC.1/BAC	OT.AC Pers , OT.Data Int , OT.Data Conf
FDP ACC.1/CA	OT.Data Int
FDP ACF.1/BAC	OT.AC Pers , OT.Data Int , OT.Data Conf
FDP ACF.1/CA	OT.Data Int
FDP UCT.1/BAC	OT.AC Pers , OT.Data Int , OT.Data Conf

FDP UCT.1/CA	OT.Data Int , OT.Data Conf
FDP UIT.1/BAC	OT.AC Pers , OT.Data Int , OT.Data Conf
FDP UIT.1/CA	OT.Data Int , OT.Data Conf
FDP DAU.1/AA	OT.AA Proof , OT.Data Int AA
FDP ITC.1/AA	OT.AA Proof , OT.Data Int AA
FMT MOF.1/PROT	OT.Chip Auth Proof , OT.Configuration
FMT MOF.1/AA	OT.AA Proof , OT.Data Int AA
FMT SMF.1	OT.AC Pers , OT.Data Int , OT.Data Conf , OT.Configuration
FMT SMR.1	OT.AC Pers , OT.Data Int , OT.Data Conf , OT.Configuration
FMT LIM.1	OT.Prot Abuse-Func
FMT LIM.2	OT.Prot Abuse-Func
FMT MTD.1/INI ENA	OT.Identification
FMT MTD.1/INI DIS	OT.Identification
FMT MTD.1/KEY WRITE	OT.AC Pers , OT.Data Int , OT.Data Conf
FMT MTD.1/KEY READ	OT.AC Pers , OT.Data Int , OT.Data Conf
FMT MTD.1/CAPK	OT.AC Pers , OT.Data Int , OT.Data Conf , OT.Chip Auth Proof
FMT MTD.1/CAPK READ	OT.AC Pers , OT.Data Int , OT.Data Conf , OT.Chip Auth Proof
FMT MTD.1/LCS PERS	OT.AC Pers
FMT MTD.1/AA KEY READ	OT.AA Proof
FMT MTD.1/AA KEY WRITE	OT.AA Proof
FPT EMS.1	OT.AC Pers , OT.Prot Inf Leak , OT.Configuration
FPT FLS.1	OT.AC Pers , OT.Prot Inf Leak , OT.Prot Malfunction , OT.Configuration
FPT TST.1	OT.Prot Inf Leak , OT.Prot Malfunction
FPT PHP.3	OT.AC Pers , OT.Prot Inf Leak , OT.Prot Phys-Tamper , OT.Configuration
FTP ITC.1/MP	OT.Configuration

Table 17 SFRs and Security Objectives

7.3.3 Dependencies

7.3.3.1 SFRs Dependencies

Requirements	CC Dependencies	Satisfied Dependencies
FAU_SAS.1	No Dependencies	
FCS_CKM.1/BAC	(FCS_CKM.2 or FCS_COP.1) and (FCS_CKM.4)	FCS_CKM.4 , FCS_COP.1/BAC_ENC , FCS_COP.1/BAC_MAC
FCS_CKM.1/GP	(FCS_CKM.2 or FCS_COP.1) and (FCS_CKM.4)	FCS_CKM.4 , FCS_COP.1/GP_ENC , FCS_COP.1/GP_MAC
FCS_CKM.1/CA	(FCS_CKM.2 or FCS_COP.1) and (FCS_CKM.4)	FCS_CKM.4 , FCS_COP.1/CA_ENC , FCS_COP.1/CA_MAC
FCS_CKM.4	(FCS_CKM.1 or FDP_ITC.1 or FDP_ITC.2)	FCS_CKM.1/BAC , FCS_CKM.1/GP , FCS_CKM.1/CA
FCS_COP.1/BAC_SHA	(FCS_CKM.1 or FDP_ITC.1 or FDP_ITC.2) and (FCS_CKM.4)	FCS_CKM.4
FCS_COP.1/BAC_ENC	(FCS_CKM.1 or FDP_ITC.1 or FDP_ITC.2) and (FCS_CKM.4)	FCS_CKM.1/BAC , FCS_CKM.4
FCS_COP.1/AUTH	(FCS_CKM.1 or FDP_ITC.1 or FDP_ITC.2) and (FCS_CKM.4)	FCS_CKM.1/BAC , FCS_CKM.4
FCS_COP.1/BAC_MAC	(FCS_CKM.1 or FDP_ITC.1 or FDP_ITC.2) and (FCS_CKM.4)	FCS_CKM.1/BAC , FCS_CKM.4
FCS_COP.1/GP_ENC	(FCS_CKM.1 or FDP_ITC.1 or FDP_ITC.2) and (FCS_CKM.4)	FCS_CKM.1/GP , FCS_CKM.4
FCS_COP.1/GP_AUTH	(FCS_CKM.1 or FDP_ITC.1 or FDP_ITC.2) and (FCS_CKM.4)	FCS_CKM.1/GP , FCS_CKM.4
FCS_COP.1/GP_MAC	(FCS_CKM.1 or FDP_ITC.1 or FDP_ITC.2) and (FCS_CKM.4)	FCS_CKM.1/GP , FCS_CKM.4
FCS_COP.1/GP_KEY_DEC	(FCS_CKM.1 or FDP_ITC.1 or FDP_ITC.2) and (FCS_CKM.4)	FCS_CKM.1/GP , FCS_CKM.4

FCS COP.1/CA_SHA	(FCS_CKM.1 or FDP_ITC.1 or FDP_ITC.2) and (FCS_CKM.4)	FCS_CKM.4
FCS COP.1/CA_ENC	(FCS_CKM.1 or FDP_ITC.1 or FDP_ITC.2) and (FCS_CKM.4)	FCS_CKM.1/CA , FCS_CKM.4
FCS COP.1/CA_MAC	(FCS_CKM.1 or FDP_ITC.1 or FDP_ITC.2) and (FCS_CKM.4)	FCS_CKM.1/CA , FCS_CKM.4
FCS COP.1/AA	(FCS_CKM.1 or FDP_ITC.1 or FDP_ITC.2) and (FCS_CKM.4)	FCS_CKM.4 , FDP_ITC.1/AA
FCS_RND.1	No Dependencies	
FIA_UID.1	No Dependencies	
FIA_UAU.1	(FIA_UID.1)	FIA_UID.1
FIA_UAU.4	No Dependencies	
FIA_UAU.5/BAC	No Dependencies	
FIA_UAU.5/MP	No Dependencies	
FIA_UAU.5/CA	No Dependencies	
FIA_UAU.6/BAC	No Dependencies	
FIA_UAU.6/MP	No Dependencies	
FIA_UAU.6/CA	No Dependencies	
FIA_AFL.1/BAC	(FIA_UAU.1)	FIA_UAU.1
FIA_AFL.1/MP	(FIA_UAU.1)	FIA_UAU.1
FIA_API.1/CA	No Dependencies	
FDP_ACC.1/BAC	(FDP_ACF.1)	FDP_ACF.1/BAC
FDP_ACC.1/CA	(FDP_ACF.1)	FDP_ACF.1/CA
FDP_ACF.1/BAC	(FDP_ACC.1) and (FMT_MSA.3)	FDP_ACC.1/BAC
FDP_ACF.1/CA	(FDP_ACC.1) and (FMT_MSA.3)	FDP_ACC.1/CA
FDP_UCT.1/BAC	(FDP_ACC.1 or FDP_IFC.1) and (FTP_ITC.1 or FTP_TRP.1)	FDP_ACC.1/BAC
FDP_UCT.1/CA	(FDP_ACC.1 or FDP_IFC.1) and (FTP_ITC.1 or FTP_TRP.1)	FDP_ACC.1/CA

FDP UIT.1/BAC	(FDP_ACC.1 or FDP_IFC.1) and (FTP_ITC.1 or FTP_TRP.1)	FDP_ACC.1/BAC
FDP UIT.1/CA	(FDP_ACC.1 or FDP_IFC.1) and (FTP_ITC.1 or FTP_TRP.1)	FDP_ACC.1/CA
FDP DAU.1/AA	No Dependencies	
FDP ITC.1/AA	(FDP_ACC.1 or FDP_IFC.1) and (FMT_MSA.3)	FDP_ACC.1/BAC
FMT MOF.1/PROT	(FMT_SMF.1) and (FMT_SMR.1)	FMT SMF.1 , FMT SMR.1
FMT MOF.1/AA	(FMT_SMF.1) and (FMT_SMR.1)	FMT SMF.1 , FMT SMR.1
FMT SMF.1	No Dependencies	
FMT SMR.1	(FIA_UID.1)	FIA UID.1
FMT LIM.1	(FMT_LIM.2)	FMT LIM.2
FMT LIM.2	(FMT_LIM.1)	FMT LIM.1
FMT MTD.1/INI ENA	(FMT_SMF.1) and (FMT_SMR.1)	FMT SMF.1 , FMT SMR.1
FMT MTD.1/INI DIS	(FMT_SMF.1) and (FMT_SMR.1)	FMT SMF.1 , FMT SMR.1
FMT MTD.1/KEY WRITE	(FMT_SMF.1) and (FMT_SMR.1)	FMT SMF.1 , FMT SMR.1
FMT MTD.1/KEY READ	(FMT_SMF.1) and (FMT_SMR.1)	FMT SMF.1 , FMT SMR.1
FMT MTD.1/CAPK	(FMT_SMF.1) and (FMT_SMR.1)	FMT SMF.1 , FMT SMR.1
FMT MTD.1/CAPK READ	(FMT_SMF.1) and (FMT_SMR.1)	FMT SMF.1 , FMT SMR.1
FMT MTD.1/LCS PERS	(FMT_SMF.1) and (FMT_SMR.1)	FMT SMF.1 , FMT SMR.1
FMT MTD.1/AA KEY READ	(FMT_SMF.1) and (FMT_SMR.1)	FMT SMF.1 , FMT SMR.1
FMT MTD.1/AA KEY WRITE	(FMT_SMF.1) and (FMT_SMR.1)	FMT SMF.1 , FMT SMR.1
FPT EMS.1	No Dependencies	
FPT FLS.1	No Dependencies	
FPT TST.1	No Dependencies	

FPT_PHP.3	No Dependencies	
FTP_ITC.1/MP	No Dependencies	

Table 18 SFRs Dependencies

Rationale for the exclusion of Dependencies

The dependency FCS_CKM.1 or FDP_ITC.1 or FDP_ITC.2 of FCS_COP.1/BAC_SHA is discarded. The hash algorithm required by FCS_COP.1/BAC_SHA does not need any key material. Therefore neither a key generation (FCS_CKM.1) nor an import (FDP_ITC.1/2) is necessary.

The dependency FCS_CKM.1 or FDP_ITC.1 or FDP_ITC.2 of FCS_COP.1/CA_SHA is discarded. The hash algorithm required by FCS_COP.1/CA_SHA does not need any key material. Therefore neither a key generation (FCS_CKM.1) nor an import (FDP_ITC.1/2) is necessary.

The dependency FMT_MSA.3 of FDP_ACF.1/BAC is discarded. The access control TSF according to FDP_ACF.1/BAC uses security attributes which are defined during the personalization and are fixed over the whole life time of the TOE. No management of these security attribute (i.e. SFR FMT_MSA.1 and FMT_MSA.3) is necessary here.

The dependency FMT_MSA.3 of FDP_ACF.1/CA is discarded. The access control TSF according to FDP_ACF.1/CA uses security attributes which are defined during the personalization and are fixed over the whole life time of the TOE. No management of these security attribute (i.e. SFR FMT_MSA.1 and FMT_MSA.3) is necessary here.

The dependency FTP_ITC.1 or FTP_TRP.1 of FDP_UCT.1/BAC is discarded. The SFR FDP_UCT.1/BAC requires the use of secure messaging between the MRTD and the BIS. There is no need for SFR FTP_ITC.1, e.g. to require this communication channel to be logically distinct from other communication channels since there is only one channel. Since the TOE does not provide a direct human interface a trusted path as required by FTP_TRP.1 is not applicable here.

The dependency FTP_ITC.1 or FTP_TRP.1 of FDP_UCT.1/CA is discarded. The SFR FDP_UCT.1/CA requires the use of secure messaging between the MRTD and the BIS. There is no need for SFR FTP_ITC.1, e.g. to require this communication channel to be logically distinct from other communication channels since there is only one channel. Since the TOE does not provide a direct human interface a trusted path as required by FTP_TRP.1 is not applicable here.

The dependency FTP_ITC.1 or FTP_TRP.1 of FDP_UIT.1/BAC is discarded. The SFR FDP_UIT.1/BAC requires the use of secure messaging between the MRTD and the BIS. There is no need for SFR FTP_ITC.1, e.g. to require this communication channel to be logically distinct from other communication channels since there is only one channel. Since

the TOE does not provide a direct human interface a trusted path as required by FTP_TRP.1 is not applicable here.

The dependency FTP_ITC.1 or FTP_TRP.1 of FDP_UIT.1/CA is discarded. The SFR FDP_UIT.1/CA requires the use of secure messaging between the MRTD and the BIS. There is no need for SFR FTP_ITC.1, e.g. to require this communication channel to be logically distinct from other communication channels since there is only one channel. Since the TOE does not provide a direct human interface a trusted path as required by FTP_TRP.1 is not applicable here.

The dependency FMT_MSA.3 of FDP_ITC.1/AA is discarded. The access control TSF according to FDP_ACF.1/BAC uses security attributes which are defined during the personalization and are fixed over the whole life time of the TOE. No management of these security attribute (i.e. SFR FMT_MSA.1 and FMT_MSA.3) is necessary here.

7.3.3.2 SARs Dependencies

Requirements	CC Dependencies	Satisfied Dependencies
ADV_ARC.1	(ADV_FSP.1) and (ADV_TDS.1)	ADV_FSP.5 , ADV_TDS.4
ADV_FSP.5	(ADV_IMP.1) and (ADV_TDS.1)	ADV_IMP.1 , ADV_TDS.4
ADV_IMP.1	(ADV_TDS.3) and (ALC_TAT.1)	ADV_TDS.4 , ALC_TAT.2
ADV_TDS.4	(ADV_FSP.5)	ADV_FSP.5
ADV_INT.2	(ADV_IMP.1) and (ADV_TDS.3) and (ALC_TAT.1)	ADV_IMP.1 , ADV_TDS.4 , ALC_TAT.2
AGD_OPE.1	(ADV_FSP.1)	ADV_FSP.5
AGD_PRE.1	No Dependencies	
ALC_CMC.4	(ALC_CMS.1) and (ALC_DVS.1) and (ALC_LCD.1)	ALC_CMS.5 , ALC_DVS.2 , ALC_LCD.1
ALC_CMS.5	No Dependencies	
ALC_DEL.1	No Dependencies	
ALC_DVS.2	No Dependencies	
ALC_LCD.1	No Dependencies	
ALC_TAT.2	(ADV_IMP.1)	ADV_IMP.1
ASE_CCL.1	(ASE_ECD.1) and (ASE_INT.1) and (ASE_REQ.1)	ASE_ECD.1 , ASE_INT.1 , ASE_REQ.2
ASE_ECD.1	No Dependencies	
ASE_INT.1	No Dependencies	
ASE_OBJ.2	(ASE_SPD.1)	ASE_SPD.1
ASE_REQ.2	(ASE_ECD.1) and (ASE_OBJ.2)	ASE_ECD.1 , ASE_OBJ.2
ASE_SPD.1	No Dependencies	

ASE_TSS.1	(ADV_FSP.1) and (ASE_INT.1) and (ASE_REQ.1)	ADV_FSP.5 , ASE_INT.1 , ASE_REQ.2
ATE_COV.2	(ADV_FSP.2) and (ATE_FUN.1)	ADV_FSP.5 , ATE_FUN.1
ATE_DPT.3	(ADV_ARC.1) and (ADV_TDS.4) and (ATE_FUN.1)	ADV_ARC.1 , ADV_TDS.4 , ATE_FUN.1
ATE_FUN.1	(ATE_COV.1)	ATE_COV.2
ATE_IND.2	(ADV_FSP.2) and (AGD_OPE.1) and (AGD_PRE.1) and (ATE_COV.1) and (ATE_FUN.1)	ADV_FSP.5 , AGD_OPE.1 , AGD_PRE.1 , ATE_COV.2 , ATE_FUN.1
AVA_VAN.3	(ADV_ARC.1) and (ADV_FSP.4) and (ADV_IMP.1) and (ADV_TDS.3) and (AGD_OPE.1) and (AGD_PRE.1) and (ATE_DPT.1)	ADV_ARC.1 , ADV_FSP.5 , ADV_IMP.1 , ADV_TDS.4 , AGD_OPE.1 , AGD_PRE.1 , ATE_DPT.3

Table 19 SARs Dependencies

7.3.4 Rationale for the Security Assurance Requirements

The EAL4 was chosen to permit a developer to gain maximum assurance from positive security engineering based on good commercial development practices which, though rigorous, do not require substantial specialist knowledge, skills, and other resources. EAL4 is the highest level at which it is likely to be economically feasible to retrofit to an existing product line. EAL4 is applicable in those circumstances where developers or users require a moderate to high level of independently assured security in conventional commodity TOEs and are prepared to incur sensitive security specific engineering costs.

7.3.5 ADV_FSP.5 Complete semi-formal functional specification with additional error information

The TOE actually target an EAL5 + ALC_DVS.2 and AVA_VAN.5 and is only limited to EAL4+ due to the restriction of [PP_BAC] on AVA_VAN level.

Other MRTDs TOE are targeting the same physical scope are not affected by this limitation and provide the full EAL5+ set of SARs. This EAL5+ is required to reach a higher level of assurance due to sensitivity of ID documents.

7.3.6 ADV_INT.2 Well-structured internals

The TOE actually target an EAL5 + ALC_DVS.2 and AVA_VAN.5 and is only limited to EAL4+ due to the restriction of [PP_BAC] on AVA_VAN level.

Other MRTDs TOE are targeting the same physical scope are not affected by this limitation and provide the full EAL5+ set of SARs. This EAL5+ is required to reach a higher level of assurance due to sensitivity of ID documents.

7.3.7 ADV_TDS.4 Semiformal modular design

The TOE actually target an EAL5 + ALC_DVS.2 and AVA_VAN.5 and is only limited to EAL4+ due to the restriction of [PP_BAC] on AVA_VAN level.

Other MRTDs TOE are targeting the same physical scope are not affected by this limitation and provide the full EAL5+ set of SARs. This EAL5+ is required to reach a higher level of assurance due to sensitivity of ID documents.

7.3.8 ALC_CMS.5 Development tools CM coverage

The TOE actually target an EAL5 + ALC_DVS.2 and AVA_VAN.5 and is only limited to EAL4+ due to the restriction of [PP_BAC] on AVA_VAN level.

Other MRTDs TOE are targeting the same physical scope are not affected by this limitation and provide the full EAL5+ set of SARs. This EAL5+ is required to reach a higher level of assurance due to sensitivity of ID documents.

7.3.9 ALC_DVS.2 Sufficiency of security measures

The selection of the component ALC_DVS.2 provides a higher assurance of the security of the MRTD's development and manufacturing especially for the secure handling of the MRTD's material.

The component ALC_DVS.2 augmented to EAL4 has no dependencies to other security requirements

7.3.10 ALC_TAT.2 Compliance with implementation standards

The TOE actually target an EAL5 + ALC_DVS.2 and AVA_VAN.5 and is only limited to EAL4+ due to the restriction of [PP_BAC] on AVA_VAN level.

Other MRTDs TOE are targeting the same physical scope are not affected by this limitation and provide the full EAL5+ set of SARs. This EAL5+ is required to reach a higher level of assurance due to sensitivity of ID documents.

7.3.11 ATE_DPT.3 Testing: modular design

The TOE actually target an EAL5 + ALC_DVS.2 and AVA_VAN.5 and is only limited to EAL4+ due to the restriction of [PP_BAC] on AVA_VAN level.

Other MRTDs TOE are targeting the same physical scope are not affected by this limitation and provide the full EAL5+ set of SARs. This EAL5+ is required to reach a higher level of assurance due to sensitivity of ID documents.

8 TOE Summary Specification

8.1 TOE Summary Specification

The TOE provides the following Security Functions (TSF):

TSF	Acronym	Phase 5	Phase 6	Phase 7
Access Control in Reading	F.ACR	Yes	Yes	Yes
Access Control in Writing	F.ACW	Yes	Yes	Yes
Basic Access Control	F.BAC	No	No	Yes
Chip Authentication	F.CA	Yes	No	Yes
MRTD Personalization	F.PERS	No	Yes	No
Physical Protection	F.PHY	Yes	Yes	Yes
MRTD Pre-personalization	F.PREP	Yes	No	No
Secure Messaging	F.SM	Yes	Yes	Yes
Self Tests	F.STST	Yes	Yes	Yes

Access Control in Reading

This function controls access to read functions and enforces the security policy for data retrieval. Prior to any data retrieval, it authenticates the actor trying to access the data, and checks the access conditions are fulfilled as well as the life cycle state. It ensures that at any time, the following keys are never readable:

- o Pre-personalization Agent keys and Personalization Agent keys,
- o BAC keys,
- o CA private key
- o AAK (Active Authentication Keys)

It ensures the access control to specific data as defined in FAU_SAS.1.

Regarding the file structure: In the Operational Use phase:

The terminal can read user data, the Document Security Object, (EF.COM, EF.SOD, EF.DG1 to EF.DG16) only after BAC or CA respectively authentication and through a valid secure channel.

In the Production and preparation stage: The Manufacturer can read the Initialization Data in Stage 2 "Production". The pre-personalization agent and the Personalization Agent can read only the random identifier in Stage 3 "Preparation" stored in the TOE. Other data-elements can only be read after they are authenticated by the TOE (using their authentication keys).

It ensures as well that no other part of the memory can be accessed at any time.

The implementation contributes to:

- o FIA_UID.1, FIA_UAU.1

- o FMT_MTD.1/LCS_PERS, FMT_MTD.1/INI_DIS, FMT_MTD.1/KEY_READ, FMT_MTD.1/CAPK_READ, FMT_MTD.1/AA_KEY_READ
- o FDP_ACF.1/BAC, FDP_ACC.1/BAC

Access Control in Writing

This function controls access to write functions (in NVM) and enforces the security policy for data writing. Prior to any data update, it authenticates the actor, and checks the access conditions are fulfilled as well as the life cycle state.

Regarding the file structure:

In the Production and preparation stage: The Manufacturer can write all the Initialization and data for the Pre-personalization. The Personalization Agent can write through a valid secure channel all the data Document Basic Access Keys and Active Authentication Keys after it is authenticated by the TOE (using its authentication keys). The Pre-Personalization Agent can write through a valid secure channel data to be used by the personalization agent (after it is authenticated by the TOE using its authentication keys). The Pre-personalization agent is only active after delivery. The key that is written in the TOE for authentication purposes during manufacturing is meant for the pre-personalization agent. The Pre-personalization agent (which is seen as a sub-role of the Personalization agent) will refresh this key.

In the Operational Use phase: It is not possible to create any files (system or data files). Furthermore, it is not possible to update any files (system or data files).

The implementation contributes to:

- o FDP_ACC.1/BAC and FDP_ACF.1/BAC
- o FDP_ACC.1/CA and FDP_ACF.1/CA
- o FMT_MTD.1/LCS_PERS
- o FMT_MTD.1/INI_DIS
- o FMT_MTD.1/KEY_WRITE
- o FMT_MTD.1/INI_ENA
- o FMT_MTD.1/AA_KEY_WRITE
- o FDP_ITC.1/AA

Active Authentication

This security functionality ensures the Active Authentication is performed as described in [ICAO_9303] (if it is activated by the personalizer).

The implementation contributes to:

- o FCS_COP.1/AA
- o FDP_DAU.1/AA
- o FDP_ITC.1/AA

Basic Access Control

This TSF provides the Basic Access Control, authentication and session keys generation to be used by F.SM, as described in [ICAO_9303].

The BAC Session Keys are derived from the MRZ of the MRTD's chip: this is done using SHA-1 (FCS_COP.1/BAC_SHA). The authentication initialization requires that the MRTD's chip generate 8 bytes challenge (nonce rPICC) that is read by the Basic Inspection System

(FIA_UAU.1), and 16 bytes Key (KPICC) (FCS_RND.1). The MRTD BAC authentication stages also require TDES encryption of 32 bytes of concatenated data and a Retail MAC computation over the 32 bytes of encryption output (FCS_COP.1/BAC_MAC). The Basic Inspection System also generated a pair (KPCD, rPCD). The use of challenges enforces a protection against replay (FIA_UAU.4). Completion of the BAC Authentication protocol means that a Secure Messaging session, in ENC_MAC_Mode (FCS_COP.1/BAC_ENC), is started with the session keys (KENC and KMAC) derived according to [ICAO_9303] from the common master secret KMaster = KPICC?KPCD and a Send Sequence Counter SSC derived from rPICC and rPCD (FCS_CKM.1/BAC). All further communication with the TOE is handled by F.SM, enforcing confidentiality and integrity over transferred data (FIA_UAU.5/BAC). In case the BAC authentication protocol fails (the TOE being unable to identify the Terminal as being a legitimate Basic Inspection System) the TOE records one authentication failure. If the Terminal reaches a pre-defined amount of successive authentication failures, the BAC Authentication Key is blocked (FIA_AFL.1/BAC). The implementation contributes also to FDP_ACC.1/BAC and by FDP_ACF.1/BAC for read and write access control management and FMT_SMR.1 for security roles.

Chip Authentication

This TSF provides the Chip Authentication, authentication and session keys generation to be used by F.SM, as described in [TR_03110]. The session keys are obtained using SHA-1 or SHA-256 (FCS_COP.1/CA_SHA).

It also handles key generation based on ECDH (FCS_CKM.1/CA).

It also provides management of this function in phase 5. The implementation contributes to:

- o FIA_UAU.5.2/CA
- o FIA_UAU.6.1/CA
- o FIA_API.1.1/CA
- o FDP_UCT.1.1/CA
- o FDP_UIT.1.1/CA
- o FDP_UIT.1.2/CA
- o FMT_MOF.1.1/PROT
- o FDP_ACC.1.1/CA
- o FDP_ACF.1.1/CA

MRTD Personalization

This security functionality ensures that the TOE, when delivered to the Personalization Agent, provides and requires authentication for data exchange. This authentication is based on a Triple DES and AES authentication mechanism. This function allows to:

- o Manage symmetric authentication using Personalization Agent keys,
- o Compute session keys to be used by F.SM to establish secure channel according to [GPC_SPE_034] and SCP02/SCP03,
- o Enable and disable Active Authentication,
- o Write Active Authentication Keys,
- o Load user data,
- o Load Chip Authentication keys in encrypted mode,

- o Set TOE life cycle to Operational Use phase.

The implementation contributes to:

- o FCS_CKM.1/GP, FCS_RND.1, FCS_COP.1/AUTH, FCS_COP.1/GP_KEY_DEC,
- o FIA_UAU.5/BAC, FIA_AFL.1/MP,
- o FDP_ACC.1/BAC, FDP_ACF.1/BAC
- o FMT_SMF.1, FMT_SMR.1, FMT_MTD.1/INI_DIS, FMT_MTD.1/KEY_WRITE, FMT_MTD.1/CAPK, FMT_MTD.1/LCS_PERS
- o FTP_ITC.1/MP
- o FIA_UAU.4
- o FMT_MOF.1/AA
- o FMT_MTD.1/AA_KEY_WRITE

Physical Protection

This Security Function protects the TOE against physical attacks, so that the integrity and confidentiality of the TOE is ensured, including keys, user data and TOE life cycle. It detects physical tampering, responds automatically, and also controls the emanations sent out by the TOE. It furthermore prevents deploying test features after TOE delivery. This SF also preserve a secure state when any failure is detected or a malfunction occurs.

The implementation contributes to: FPT_EMS.1, FPT_FLS.1, FPT_PHP.3, FMT_LIM.1 and FMT_LIM.2.

MRTD Pre-personalization

This security functionality ensures that the TOE, when delivered to the Manufacturer, provides and requires an authentication mechanism for data exchange. This authentication is based on Triple DES symmetric authentication mechanism. This function allows to:

- o Manage symmetric authentication using Pre-personalization Agent keys,
- o Compute session keys to be used by F.SM to establish secure channel according to [GPC_SPE_034] and SCP02/SCP03
- o Load Personalization Agent keys in encrypted mode.

The implementation contributes to:

- o FCS_CKM.1/GP, FCS_COP.1/GP_AUTH, FCS_COP.1/GP_KEY_DEC, FCS_RND.1
- o FIA_UAU.5/MP, FIA_AFL.1/MP,
- o FMT_SMF.1, FMT_SMR.1, FMT_MTD.1/INI_ENA, - FTP_ITC.1/MP

Secure Messaging

This security functionality ensures the confidentiality, authenticity and integrity of the communication between the TOE and the interface device. In the operational phase, after a successful Authentication Procedure (i.e. BAC or CA), a secure channel is established, based on Triple DES algorithm in case of BAC and based on Triple DES/AES algorithms in case of CA (according to FCS_COP.1/CA_ENC and FCS_COP.1/CA_MAC), such that the TOE is able to verify the integrity and authenticity of exchanged data. This security functionality also provides a Secure Messaging (SCP02 or SCP03) for the Pre-personalization and Personalization phases. The protocols can be configured to protect the exchanges integrity and/or confidentiality. If an error occurs in the secure messaging layer, the session keys are destroyed.

The implementation contributes to:

- o FIA_UAU.1, FIA_UAU.6/BAC, FIA_UAU.6/MP, FIA_UAU.6/CA, FIA_UAU.5/CA
- o FCS_CKM.4, FCS_COP.1/BAC_ENC, FCS_COP.1/BAC_MAC, FCS_COP.1/GP_ENC, FCS_COP.1/GP_MAC, FCS_COP.1/CA_ENC, FCS_COP.1/CA_MAC, and FCS_RND.1
- o FDP_UCT.1/BAC, FDP_UCT.1/CA,
- o FTP_ITC.1/MP
- o FDP_UIT.1/BAC, FDP_UIT.1/CA
- o FIA_UAU.4

Self Tests

The TOE performs self-tests to verify the integrity of the TSF data:

- o At Reset. The implementation contributes to FPT_TST.1

8.2 SFRs and TSS

8.2.1 SFRs and TSS - Rationale

8.2.2 Association tables of SFRs and TSS

Security Functional Requirements	TOE Summary Specification
FAU_SAS.1	Access Control in Reading
FCS_CKM.1/BAC	Basic Access Control
FCS_CKM.1/GP	MRTD Personalization , MRTD Pre-personalization
FCS_CKM.1/CA	Chip Authentication
FCS_CKM.4	Secure Messaging
FCS_COP.1/BAC_SHA	Basic Access Control
FCS_COP.1/BAC_ENC	Basic Access Control , Secure Messaging
FCS_COP.1/AUTH	MRTD Personalization
FCS_COP.1/BAC_MAC	Basic Access Control , Secure Messaging
FCS_COP.1/GP_ENC	Secure Messaging
FCS_COP.1/GP_AUTH	MRTD Pre-personalization
FCS_COP.1/GP_MAC	Secure Messaging
FCS_COP.1/GP_KEY_DEC	MRTD Personalization , MRTD Pre-personalization
FCS_COP.1/CA_SHA	Chip Authentication
FCS_COP.1/CA_ENC	Secure Messaging
FCS_COP.1/CA_MAC	Secure Messaging
FCS_COP.1/AA	Active Authentication

FCS_RND.1	Basic Access Control , MRTD Personalization , MRTD Pre-personalization , Secure Messaging
FIA_UID.1	Access Control in Reading
FIA_UAU.1	Access Control in Reading
FIA_UAU.4	Basic Access Control , MRTD Personalization , Secure Messaging
FIA_UAU.5/BAC	Basic Access Control , MRTD Personalization
FIA_UAU.5/MP	MRTD Pre-personalization
FIA_UAU.5/CA	Secure Messaging
FIA_UAU.6/BAC	Secure Messaging
FIA_UAU.6/MP	Secure Messaging
FIA_UAU.6/CA	Secure Messaging
FIA_AFL.1/BAC	Basic Access Control
FIA_AFL.1/MP	MRTD Personalization , MRTD Pre-personalization
FIA_API.1/CA	Chip Authentication
FDP_ACC.1/BAC	Access Control in Reading , Access Control in Writing , Basic Access Control , MRTD Personalization
FDP_ACC.1/CA	Access Control in Writing , Chip Authentication , Secure Messaging
FDP_ACF.1/BAC	Access Control in Reading , Access Control in Writing , Basic Access Control , MRTD Personalization
FDP_ACF.1/CA	Access Control in Writing , Chip Authentication , Secure Messaging
FDP_UCT.1/BAC	Secure Messaging
FDP_UCT.1/CA	Secure Messaging
FDP_UIT.1/BAC	Secure Messaging
FDP_UIT.1/CA	Secure Messaging
FDP_DAU.1/AA	Active Authentication
FDP_ITC.1/AA	Access Control in Writing , Active Authentication
FMT_MOF.1/PROT	Chip Authentication
FMT_MOF.1/AA	MRTD Personalization
FMT_SMF.1	Chip Authentication , MRTD Personalization , MRTD Pre-personalization
FMT_SMR.1	Basic Access Control , MRTD Personalization , MRTD Pre-personalization
FMT_LIM.1	Physical Protection

FMT LIM.2	Physical Protection
FMT MTD.1/INI_ENA	Access Control in Writing, MRTD Pre-personalization
FMT MTD.1/INI_DIS	Access Control in Reading, Access Control in Writing, MRTD Personalization
FMT MTD.1/KEY_WRITE	Access Control in Writing, MRTD Personalization
FMT MTD.1/KEY_READ	Access Control in Reading
FMT MTD.1/CAPK	Access Control in Writing, MRTD Personalization
FMT MTD.1/CAPK_READ	Access Control in Reading
FMT MTD.1/LCS_PERS	Access Control in Writing, MRTD Personalization
FMT MTD.1/AA_KEY_READ	Access Control in Reading
FMT MTD.1/AA_KEY_WRITE	Access Control in Writing, MRTD Personalization
FPT EMS.1	Physical Protection
FPT FLS.1	Physical Protection
FPT TST.1	Self Tests
FPT PHP.3	Physical Protection
FTP ITC.1/MP	MRTD Personalization, MRTD Pre-personalization, Secure Messaging

Table 20 SFRs and TSS - Coverage

TOE Summary Specification	Security Functional Requirements
Access Control in Reading	FAU SAS.1, FIA UID.1, FIA UAU.1, FDP ACC.1/BAC, FDP ACF.1/BAC, FMT MTD.1/INI_DIS, FMT MTD.1/KEY_READ, FMT MTD.1/CAPK_READ, FMT MTD.1/AA_KEY_READ
Access Control in Writing	FDP ACC.1/BAC, FDP ACC.1/CA, FDP ACF.1/BAC, FDP ACF.1/CA, FDP ITC.1/AA, FMT MTD.1/INI_ENA, FMT MTD.1/INI_DIS, FMT MTD.1/KEY_WRITE, FMT MTD.1/CAPK, FMT MTD.1/LCS_PERS, FMT MTD.1/AA_KEY_WRITE
Active Authentication	FCS COP.1/AA, FDP DAU.1/AA, FDP ITC.1/AA
Basic Access Control	FCS CKM.1/BAC, FCS COP.1/BAC_SHA, FCS COP.1/BAC_ENC, FCS COP.1/BAC_MAC, FCS RND.1, FIA UAU.4, FIA UAU.5/BAC, FIA AFL.1/BAC, FDP ACC.1/BAC, FDP ACF.1/BAC, FMT SMR.1
Chip Authentication	FCS CKM.1/CA, FCS COP.1/CA_SHA, FIA API.1/CA, FDP ACC.1/CA, FDP ACF.1/CA, FMT MOF.1/PROT, FMT SMF.1
MRTD Personalization	FCS CKM.1/GP, FCS COP.1/AUTH, FCS COP.1/GP_KEY_DEC, FCS RND.1, FIA UAU.4, FIA UAU.5/BAC, FIA AFL.1/MP, FDP ACC.1/BAC, FDP ACF.1/BAC, FMT MOF.1/AA, FMT SMF.1, FMT SMR.1, FMT MTD.1/INI_DIS, FMT MTD.1/KEY_WRITE,

	FMT_MTD.1/CAPK , FMT_MTD.1/LCS_PERS , FMT_MTD.1/AA_KEY_WRITE , FTP_ITC.1/MP
Physical Protection	FMT_LIM.1 , FMT_LIM.2 , FPT_EMS.1 , FPT_FLS.1 , FPT_PHP.3
MRTD Pre-personalization	FCS_CKM.1/GP , FCS_COP.1/GP_AUTH , FCS_COP.1/GP_KEY_DEC , FCS_RND.1 , FIA_UAU.5/MP , FIA_AFL.1/MP , FMT_SMF.1 , FMT_SMR.1 , FMT_MTD.1/INI_ENA , FTP_ITC.1/MP
Secure Messaging	FCS_CKM.4 , FCS_COP.1/BAC_ENC , FCS_COP.1/BAC_MAC , FCS_COP.1/GP_ENC , FCS_COP.1/GP_MAC , FCS_COP.1/CA_ENC , FCS_COP.1/CA_MAC , FCS_RND.1 , FIA_UAU.4 , FIA_UAU.5/CA , FIA_UAU.6/BAC , FIA_UAU.6/MP , FIA_UAU.6/CA , FDP_ACC.1/CA , FDP_ACF.1/CA , FDP_UCT.1/BAC , FDP_UCT.1/CA , FDP_UIT.1/BAC , FDP_UIT.1/CA , FTP_ITC.1/MP
Self Tests	FPT_TST.1

Table 21 TSS and SFRs - Coverage

9 GLOSSARY AND ACRONYMS

9.1 Glossary

Term	Definition
Active Authentication	Security mechanism defined in [ICAO_9303] option by which means the MRTD's chip proves and the inspection system verifies the identity and authenticity of the MRTD's chip as part of a genuine MRTD issued by a known State or Organization.
Audit records	Write-only-once non-volatile memory area of the MRTDs chip to store the Initialization Data and Pre-personalization Data.
Authenticity	Ability to confirm the MRTD and its data elements on the MRTD's chip were created by the issuing State or Organization.
Basic Access Control (BAC)	Security mechanism defined in [6] by which means the MRTD's chip proves and the inspection system protects their communication by means of secure messaging with Document Basic Access Keys (see there).
Basic Inspection System (BIS)	An inspection system which implements the terminals part of the Basic Access Control Mechanism and authenticates itself to the MRTD's chip using the Document Basic Access Keys derived from the printed MRZ data for reading the logical MRTD.
Biographical data (biodata)	The personalized details of the MRTD holder of the document appearing as text in the visual and machine readable zones on the biographical data page of a passport book or on a travel card or visa. [ICAO_9303]
Biometric reference data	Data stored for biometric authentication of the MRTD holder in the MRTD's chip as (i) digital portrait and (ii) optional biometric reference data.
Counterfeit	An unauthorized copy or reproduction of a genuine security document made by whatever means. [ICAO_9303]
Country Signing CA Certificate (Ccsca)	Self-signed certificate of the Country Signing CA Public Key (KPUcSCA) issued by CSCA stored in the inspection system.
Document Basic Access Keys	Pair of symmetric (two-key) Triple-DES keys used for secure messaging with encryption (key KENC) and message authentication (key KMAC) of data transmitted between the MRTD's chip and the inspection system [ICAO_9303]. It is drawn from the printed MRZ of the passport book to authenticate an entity able to read the printed MRZ of the passport book.
Document Security Object (SOD)	A RFC3369 CMS Signed Data Structure, signed by the Document Signer (DS). Carries the hash values of the LDS Data Groups. It is stored in the MRTD's chip. It may carry the Document Signer Certificate (CDS). [ICAO_9303]
Eavesdropper	A threat agent with Enhanced-Basic attack potential reading the communication between the MRTD's chip and the inspection system to gain the data on the MRTD's chip.
Enrolment	The process of collecting biometric samples from a person and the subsequent preparation and storage of biometric reference templates representing that person's identity. [ICAO_9303]
Extended Access Control (EAC)	Security mechanism identified in [ICAO_9303] by which means the MRTD's chip (i) verifies the authentication of the inspection systems authorized to read the optional biometric reference data, (ii) controls the access to the optional biometric reference data and (iii) protects the confidentiality and integrity of the optional biometric reference data during their transmission to the inspection system by secure messaging. The Personalization Agent may use the same mechanism to authenticate themselves with Personalization Agent Private Key and to get write and read access to the logical MRTD and TSF data.

Term	Definition
Extended Inspection System (EIS)	A role of a terminal as part of an inspection system which is in addition to Basic Inspection System authorized by the issuing State or Organization to read the optional biometric reference data and supports the terminals part of the Extended Access Control Authentication Mechanism.
Forgery	Fraudulent alteration of any part of the genuine document, e.g. changes to the biographical data or the portrait. [ICAO_9303]
Global Interoperability	The capability of inspection systems (either manual or automated) in different States throughout the world to exchange data, to process data received from systems in other States, and to utilize that data in inspection operations in their respective States. Global interoperability is a major objective of the standardized specifications for placement of both eye-readable and machine readable data in all MRTDs. [ICAO_9303]
IC Dedicated Support Software	That part of the IC Dedicated Software (refer to above) which provides functions after TOE Delivery. The usage of parts of the IC Dedicated Software might be restricted to certain phases.
IC Dedicated Test Software	That part of the IC Dedicated Software (refer to above) which is used to test the TOE before TOE Delivery but which does not provide any functionality thereafter.
IC Identification Data	The IC manufacturer writes a unique IC identifier to the chip to control the IC as MRTD material during the IC manufacturing and the delivery process to the MRTD manufacturer (i.e MRTD packaging responsible).
Impostor	A person who applies for and obtains a document by assuming a false name and identity, or a person who alters his or her physical appearance to represent himself or herself as another person for the purpose of using that person's document. [ICAO_9303]
Improperly document person	A person who travels, or attempts to travel with: (a) an expired travel document or an invalid visa; (b) a counterfeit, forged or altered travel document or visa; (c) someone else's travel document or visa; or (d) no travel document or visa, if required. [ICAO_9303]
Initialisation	Process of writing Initialisation Data (see below) to the TOE
Initialization Data	Any data defined by the TOE Manufacturer and injected into the non-volatile memory by the Integrated Circuits manufacturer (Phase 2). These data are for instance used for traceability and for IC identification as MRTD's material (IC identification data).
Inspection	The act of a State examining an MRTD presented to it by a traveler (the MRTD holder) and verifying its authenticity. [ICAO_9303]
Inspection System (IS)	A technical system used by the border control officer of the receiving State (i) examining an MRTD presented by the traveler and verifying its authenticity and (ii) verifying the traveler as MRTD holder.
Integrated Circuit (IC)	Electronic component(s) designed to perform processing and/or memory functions. The MRTD's chip is a integrated circuit.
Integrity	Ability to confirm the MRTD and its data elements on the MRTD's chip have not been altered from that created by the issuing State or Organization
Issuing Organization	Organization authorized to issue an official travel document (e.g. the United Nations Organization, issuer of the Laissez-passer). [ICAO_9303]
Issuing State	The Country issuing the MRTD. [ICAO_9303]
Logical Data Structure (LDS)	The collection of groupings of Data Elements stored in the optional capacity expansion technology [ICAO_9303]. The capacity expansion technology used is the MRTD's chip.

Term	Definition
Logical MRTD	Data of the MRTD holder stored according to the Logical Data Structure [ICAO_9303] as specified by ICAO on the contactless integrated circuit. It presents contactless readable data including (but not limited to) <ol style="list-style-type: none"> (1) personal data of the MRTD holder, (2) the digital Machine Readable Zone Data (digital MRZ data, EF.DG1), (3) the digitized portraits (EF.DG2), (4) the biometric reference data of finger(s) (EF.DG3) or iris image(s) (EF.DG4) or both and (5) the other data according to LDS (EF.DG5 to EF.DG16). (6) EF.COM and EF.SOD
Logical travel document	Data stored according to the Logical Data Structure as specified by ICAO in the contactless integrated circuit including (but not limited to) <ol style="list-style-type: none"> (1) data contained in the machine-readable zone (mandatory), (2) digitized photographic image (mandatory) and (3) fingerprint image(s) and/or iris image(s) (optional).
Machine Readable Travel Document (MRTD)	Official document issued by a State or Organization which is used by the holder for international travel (e.g. passport, visa, official document of identity) and which contains mandatory visual (eye readable) data and a separate mandatory data summary, intended for global use, reflecting essential data elements capable of being machine read. [ICAO_9303]
Machine Readable Visa (MRV)	A visa or, where appropriate, an entry clearance (hereinafter collectively referred to as visas) conforming to the specifications contained herein, formulated to improve facilitation and enhance security for the visa holder. Contains mandatory visual (eye readable) data and a separate mandatory data summary capable of being machine read. The MRV is normally a label which is attached to a visa page in a passport. [ICAO_9303]
Machine Readable Zone (MRZ)	Fixed dimensional area located on the front of the MRTD or MRP Data Page or, in the case of the TD1, the back of the MRTD, containing mandatory and optional data for machine reading using OCR methods. [ICAO_9303]
Machine-verifiable biometrics feature	A unique physical personal identification feature (e.g. an iris pattern, fingerprint or facial characteristics) stored on a travel document in a form that can be read and verified by machine. [ICAO_9303]
MRTD application	Non-executable data defining the functionality of the operating system on the IC as the MRTD's chip. It includes <ul style="list-style-type: none"> - the file structure implementing the LDS [ICAO_9303], - the definition of the User Data, but does not include the User Data itself (i.e. content of EF.DG1 to EF.DG14, EF.DG 16, EF.COM and EF.SOD) and - the TSF Data including the definition the authentication data but except the authentication data itself.
MRTD Basic Access Control	Mutual authentication protocol followed by secure messaging between the inspection system and the MRTD's chip based on MRZ information as key seed and access condition to data stored on MRTD's chip according to LDS.
MRTD holder	The rightful holder of the MRTD for whom the issuing State or Organization personalized the MRTD.
MRTD's Chip	A contactless integrated circuit chip complying with ISO/IEC 14443 and programmed according to the Logical Data Structure as specified by ICAOT, [ICAOT], p. 14.
MRTD's chip Embedded Software	Software embedded in a MRTD's chip and not being developed by the IC Designer. The MRTD's chip Embedded Software is designed in Phase 1 and embedded into the MRTD's chip in Phase 2 of the TOE life-cycle.
Optional biometric reference data	Data stored for biometric authentication of the MRTD holder in the MRTD's chip as (i) encoded finger image(s) (EF.DG3) or (ii) encoded iris image(s) (EF.DG4) or (iii) both. Note that the European commission decided to use only finger print and not to use iris images as optional biometric reference data.

Term	Definition
Passive authentication	(i) verification of the digital signature of the Document Security Object and (ii) comparing the hash values of the read LDS data fields with the hash values contained in the Document Security Object.
Personalization	The process by which the portrait, signature and biographical data are applied to the document. This may also include the optional biometric data collected during the "Enrolment".
Personalization Agent	The agent acting on the behalf of the issuing State or Organization to personalize the MRTD for the holder by (i) establishing the identity the holder for the biographic data in the MRTD, (ii) enrolling the biometric reference data of the MRTD holder i.e. the portrait, the encoded finger image(s) or (ii) the encoded iris image(s) and (iii) writing these data on the physical and logical MRTD for the holder.
Personalization Agent Authentication Information	TSF data used for authentication proof and verification of the Personalization Agent.
Personalization Agent Key	Symmetric cryptographic authentication key used (i) by the Personalization Agent to prove their identity and get access to the logical MRTD and (ii) by the MRTD's chip to verify the authentication attempt of a terminal as Personalization Agent according to the SFR FIA_UAU.4/BAC, FIA_UAU.5/BAC and FIA_UAU.6/BAC.
Physical travel document	Travel document in form of paper, plastic and chip using secure printing to present data including (but not limited to) <ul style="list-style-type: none"> (1) biographical data, (2) data of the machine-readable zone, (3) photographic image and (4) other data.
Pre-Personalisation	Process of writing Pre-Personalisation Data (see below) to the TOE including the creation of the MRTD Application.
Pre-personalization Data	Any data that is injected into the non-volatile memory of the TOE by the MRTD Manufacturer (i.e IC manufacturer) (Phase 2) for traceability of non-personalized MRTD's and/or to secure shipment within or between life cycle phases 2 and 3. It contains (but is not limited to) the Personalization Agent Key Pair.
Pre-personalized MRTD's chip	MRTD's chip equipped with a unique identifier.
Primary Inspection System (PIS)	An inspection system that contains a terminal for the contactless communication with the MRTD's chip and does not implement the terminals part of the Basic Access Control Mechanism.
random identifier	Random identifier used to establish a communication to the TOE in Phase 3 and 4 preventing the unique identification of the MRTD and thus participates in the prevention of traceability.
Receiving State	The Country to which the Traveler is applying for entry. [ICAO_9303]
reference data	Data enrolled for a known identity and used by the verifier to check the verification data provided by an entity to prove this identity in an authentication attempt.
secondary image	A repeat image of the holder's portrait reproduced elsewhere in the document by whatever means. [ICAO_9303]
Secure messaging in encrypted mode	Secure messaging using encryption and message authentication code according to ISO/IEC 7816-4
Skimming	Imitation of the inspection system to read the logical MRTD or parts of it via the contactless communication channel of the TOE without knowledge of the printed MRZ data.
Travel document	A passport or other official document of identity issued by a State or Organization, which may be used by the rightful holder for international travel. [ICAO_9303]
Traveler	Person presenting the MRTD to the inspection system and claiming the identity of the MRTD holder.

Term	Definition
TSF data	Data created by and for the TOE, that might affect the operation of the TOE (CC_1).
Unpersonalized MRTD	The MRTD that contains the MRTD Chip holding only Initialization Data and Pre-personalization Data as delivered to the Personalisation Agent from the Manufacturer.
User data	Data created by and for the user, that does not affect the operation of the TSF (CC_1).
Verification	The process of comparing a submitted biometric sample against the biometric reference template of a single 112nrolee whose identity is being claimed, to determine whether it matches the 112nrolee's template.
Verification data	Data provided by an entity in an authentication attempt to prove their identity to the verifier. The verifier checks whether the verification data match the reference data known for the claimed identity.

9.2 Acronyms

Acronym	Term
BIS	Basic Inspection System
CC	Common Criteria
EF	Elementary File
GIS	General Inspection System
ICCSN	Integrated Circuit Card Serial Number
ISK	Issuer Secret Key
MF	Master File
n.a. or N/A	Not applicable
OSP	Organizational Security Policy
PT	Personalization Terminal
SAR	Security Assurance Requirements
SFR	Security Functional Requirement
TOE	Target Of Evaluation
TSF	TOE Security Functions

10 References

Common Criteria

[CC_1]	Common Criteria for information Technology Security Evaluation, Part 1: Introduction and general model", April 2017, Version 3.1 revision 5.
[CC_2]	"Common Criteria for information Technology Security Evaluation, Part 2: Security Functional component", April 2017, Version 3.1 revision 5.
[CC_3]	"Common Criteria for information Technology Security Evaluation, Part 3: Security Assurance components", April 2017, Version 3.1 revision 5.
[CC_EM]	Common Methodology for Information Technology Security Evaluation, Evaluation Methodology; CCMB-2017-04-004, Version 3.1, Revision 5, April 2017

Protection Profiles

[PP_0002]	PP conformant to Smartcard IC Platform Protection Profile, Version 1.0, July 2001; registered and certified by Bundesamt für Sicherheit in der Informationstechnik (BSI) under the reference BSI-PP-0002-2001 Smartcard Integrated Circuit Platform Augmentations, Version 1.00, March 8th, 2002
[PP_IC]	Security IC Platform Protection Profile, Version 1.0, June 2007; registered and certified by BSI (Bundesamt für Sicherheit in der Informationstechnik) under the reference BSI-PP-0035-2007
[PP_BAC]	Machine readable travel documents with "ICAO Application", Basic Access control – BSI-PP-0055 v1.10 25th march 2009
[PP_EAC]	Common Criteria Protection Profile Machine Readable Travel Document with „ICAO Application", Extended Access Control, BSI-PP-0056, Version 1.10, 25th March 2009
[PP_EACwPAC E]	Common Criteria Protection Profile Machine Readable Travel Document with "ICAO Application", Extended Application Control with PACE (EAC PP), BSI-CC-PP-0056-V2-2012, Version 1.3.2, 5th December 2012

Platform

[PTF_CERT]	ANSSI-CC-2020/07-R01
[ST_PTF]	FQR 110 9395 Ed9 Public Security Target Cosmo v9.1
[PTF_AGD1]	ID-One COSMO V9.1 Application Loading Protection Guidance, FQR 110 9238 Ed 1
[PTF_AGD2]	ID-One COSMO V9.1 Security Recommendations,

	FQR 110 9237 Ed 3
[PTF_AGD3]	ID-One Cosmo V9.1 platform - Javadoc, FQR 110 9242 Ed 1
[PTF_AGD4]	JCVM Patch FQR 110 8805 Ed 2
[PTF_AGD5]	Platform Flash Generation FQR 110 9402 Ed 1– 27/11/2019
[PTF_AGD_OPE]	ID-One COSMO V9.1, Reference Guide FQR 110 9200 Ed 8
[PTF_AGD_PRE]	ID-One COSMO V9.1 Pre-Perso Guide, FQR 110 9208 Ed 9
[PTF_AGD_SEC_AC]	Secure acceptance and delivery of sensitive elements FQR 110 8921 Ed 1 – 24/09/2018
[Applet_Perso_Guide]	CombICA0 Applet v2.1 and v2;2 – Perso Guide, FQR 220 1455 Ed 8
[Applet_User_Guide]	CombICA0 Applet v2.1 and v2.2– User Guide, FQR 220 1456 Ed 7

ICAO

[ICAO_9303]	ICAO Doc 9303, Machine Readable Travel Documents, Seventh Edition, 2015 – Security Mechanisms for MRTDs
[ICAOT]	INTERNATIONAL CIVIL AVIATION ORGANIZATION FACILITATION (FAL) DIVISION, twelfth session (Cairo, Egypt, 22 March – 1 April 2004)
[ICAO_TR_SA C]	ICAO MACHINE READABLE TRAVEL DOCUMENTS, TECHNICAL REPORT, Supplemental Access Control for Machine Readable Travel Documents, Version 1.00, November 2010

ISO

[ISO_9797_1]	ISO/IEC 9797-1 Information technology – Security techniques – Message Authentication codes (MACs) – part 1: Mechanisms using a block cipher, Second edition 2011-03-01
[ISO_9796-2]	The terminal implements the Chip Authentication protocol as described in [PP_EAC] OSP for AA
[ISO_15946-3]	ISO/IEC 15946: Information technology – Security techniques – Cryptographic techniques based on elliptic curves – Part 3: Key establishment, 2002

Internal

[ALC_KM]	Key management for Flash code, I CRD13 2 CRD 512 03, January 2016
[ALC_SCT]	ID division: sensitive code transfer, I/R&D/2/SQA 515 01, March 2010
[ALC_STM]	Secure transfer of masks, I CRD13 2 CRD 507 04, January 2012

Other

[TR_03110]	Technical Guideline Advanced Security Mechanisms for Machine Readable Travel Documents – Extended Access Control (EAC), Version 1.11, TR-03110, Bundesamt für Sicherheit in der Informationstechnik (BSI)
[FIPS_180_3]	"FIPS PUB 180-3, Secure Hash Standard" October 2008 , National Institute of Standards and Technology
[FIPS_180_2]	FIPS Publication 180-2 Secure Hash Standard (+ Change Notice to include SHA-224), U.S. DEPARTMENT OF COMMERCE/National Institute of Standards and Technology, 2002 August 1
[FIPS_46_3]	FIPS 46-3, Federal Information Processing Standards Publication (FIPS PUB) 46-3, Data Encryption Standard (DES), 1999 October 25
[FIPS_186_3]	FIPS 186-3, Federal Information Processing Standards Publication (FIPS PUB) 186-3, Digital Signature Standard (DSS), June 2009
[FIPS_197]	FIPS 197, Federal Information Processing Standards Publication (FIPS PUB 197), Advanced Encryption Standard (AES)
[NIST_800_38 B]	NIST Special Publication 800-38B: 2005, <i>Recommendation for Block Cipher Modes of Operation: The CMAC Mode for Authentication</i> , May 2005
[GPC_SPE_03 4]	"GlobalPlatform Card Specification" Version 2.3 Public Release - October 2015 Document Reference: GPC_SPE_034
[GPC_SPE_01 4]	GlobalPlatform Card Technology - Secure Channel Protocol '03', Card Specification v2.2 – Amendment D Version 1.1.1 - Public Release July 2014
[RGS2_B1]	Référentiel Général de Sécurité version 2.0 – Annexe B1 – Mécanismes cryptographiques – Règles et recommandations concernant le choix et le dimensionnement des mécanismes cryptographiques, Version 2.03 du 21 février 2014.
[PKCS#3]	PKCS #3: Diffie-Hellman Key-Agreement Standard, An RSA Laboratories Technical Note, Version 1.4 Revised November 1, 1993
[X9.62]	AMERICAN NATIONAL STANDARD X9.62-1998: Public Key Cryptography For The Financial Services Industry (rDSA), 9 september 1998