

Security Target Lite of Security Chip MH1701

V04_02 with IC Dedicated Software

Version V1.1



兆讯恒达科技股份有限公司

Megahunt Technologies Inc.

Revision Record

DATE	Revision	Description	Author
2022-9-30	1.0	Draft completed	Zhouna
2022-10-11	1.1	Modified	Zhouna

List of Abbreviations

List of abbreviations: Explain the abbreviations used in this article, and ask for the full English name.

Abbreviations	Full Spelling
CBC	Cipher Block Chaining
CC	Common Criteria
CPU	Central Processing Unit
CRC	Checksum module
DES/TDES	Data Encryption Standard/Triple Data Encryption
DFA	Differential Fault Analysis
DPA	Differential Power Analysis
ECB	Electronic Codebook
EDC	Error Data Check
MPU	Memory Protection Unit
FA	Fault Attack
IFD	Internal Frequency Detector
GPIO	General Purpose IO
IC	Integrated Circuit
OTP	One-Time-Programmable memory
PP	Protection Profile
RAM	Random Access Memory
ROM	Read-Only Memory
RSA	Rivest-Shamir-Adleman
SFR	Security Functional Requirements
SPA	Simple Power Analysis
ST	Security Target
TOE	Target of Evaluation
TSF	TOE Security Function
TRNG	True Random Number Generator
CL	Cryptographic libraries
DRNG	Deterministic Random Number Generator
GSM	Global System for Mobile Communication
UMTS	Universal Mobile Telecommunications System
PKE	Public Key Engine
SCP	Symmetric Co-processor
DIF	Dual Interface
ECDSA	Elliptic Curve DSA
CGU	Clock Unit
RGU	Reset Unit
T&W	Timers and Watchdog
FSMPU	Finite State Machine Power-up Unit
DMA	Direct Memory Access Controller
MEDU	Memory Encryption/Decryption Unit
EDU	Error Detection Unit
NVIC	Nested Vectored Interrupt Controller
CRAM	Cryptographic RAM
EC	Elliptic Curve
ECC	Error Correction Code
SBL	Security Boot Loader

Abbreviations	Full Spelling
SFs	Security Functions
SF	Security Feature
SF_PM	SF_PM: Protection against Malfunction
SF_PP	SF_PP: Physical Protection
SF_PF	SF_PF: Prevent abuse of Functionality
SF_RNG	SF_RNG: Random Number Generator
SF_CS	SF_CS: Cryptographic Support
SF_MAC	SF_MAC: Memory Access Control
SF_PL	SF_PL: Protection against Leakage

Table of Content

Security Target Lite of Security Chip MH1701 V04_02 with IC Dedicated Software	1
List of Abbreviations.....	3
Table of Content.....	1
1 ST INTRODUCTION.....	1
1.1 ST Reference and TOE Reference	1
1.1.1 ST Reference.....	1
1.1.2 TOE Reference	1
1.2 TOE Overview	1
1.2.1 TOE Introduction	1
1.2.2 TOE Application Scenario	2
1.2.3 TOE Security Functionality	2
2 TOE Description.....	3
2.1 Physical Scope of TOE.....	3
2.2 Logical Scope of the TOE	5
2.2.1 Hardware Description	5
2.2.2 Firmware Description	10
2.2.3 Software Library Description.....	11
2.3 Interfaces of the TOE.....	13
2.3.1 Physical interface	13
2.3.2 Software interface.....	13
2.4 Forms of delivery.....	14
2.5 TOE Life Cycle	15
2.6 TOE Configuration	17
2.7 TOE initialization with Customer Software	17
2.8 Non-TOE Hardware/ Software/ Firmware	18
3 Conformance Claim	18
3.1 CC Conformance Claim.....	18
3.2 PP Claim.....	19
3.3 Package Claim.....	19
3.4 Conformance Claim Rationale.....	20
4 Security Problem Definition	20
4.1 Description of Assets.....	20
4.2 Threats.....	20
4.3 Organizational Security Policies	21
4.4 Assumptions	22
5 Security Objectives	23
5.1 Security Objectives for the TOE.....	23
5.2 Security Objectives for the Security IC Embedded Software	25
5.3 Security Objectives for the Operational Environment.....	25
5.4 Security Objectives Rational.....	25
6 Extended Components Definition	27
7 Security Requirements	27

7.1 TOE Security Functional Requirements.....	28
7.1.1 Extended Components	30
7.1.2 Data Integrity.....	32
7.1.3 Data Confidentiality.....	32
7.1.4 Malfunctions	33
7.1.5 Memory Access Control	33
7.1.6 Memory Access Control Policy.....	34
7.1.7 Cryptographic Support	37
7.1.8 Packages for Loader	41
7.2 TOE Security Assurance Requirements	42
7.3 Security Requirements Rationale.....	44
7.3.1 Rationale for the Security Functional Requirements.....	44
7.3.2 Dependencies of Security Functional Requirements	46
7.3.3 Rationale of the Assurance Requirements.....	49
7.3.4 Security Requirements are internally Consistent	50
8 TOE summary specification	51
8.1 SF_PM: Protection against Malfunction	52
8.2 SF_PP: Physical Protection	53
8.3 SF_PF: Prevent abuse of Functionality.....	54
8.4 SF_RNG: Random Number Generator	56
8.5 SF_CS: Cryptographic Support.....	56
8.5.1 TDES Function.....	57
8.5.2 AES Function.....	58
8.5.3 RSA Function	58
8.5.4 Elliptic Curves	59
8.5.4.1 Signature Generation and Verification	59
8.5.4.2 Asymmetric Key Generation	60
8.5.4.3 Asymmetric Key Agreement.....	60
8.5.4.4 Encryption and Decryption	61
8.6 SF_MAC: Memory Access Control.....	61
8.7 SF_PL: Protection against Leakage.....	62
8.8 Assignment of Security Functional Requirements to TOE's Security Functionality...	63
9 Bibliography.....	64
10 Glossary	66
10.1 End-user	66
10.2 IC Dedicated Software.....	66
10.3 NVR.....	66
10.4 Security IC.....	66
10.5 Security IC Embedded Software.....	66
10.6 Security IC Product	67
10.7 TOE Delivery	67

1 ST INTRODUCTION

1.1 ST Reference and TOE Reference

1.1.1 ST Reference

“Security Target Lite of Security Chip MH1701 V04_02 with IC Dedicated Software, Version 1.1, October 11, 2022”.

The Security Target claims a strict conformance to Eurosmart Security IC Platform Protection Profile with Augmentation Packages, Version 1.0, 13th Jan. 2014, BSI-CC-PP-0084-2014.

The Protection Profile and the Security Target are built on Common Criteria version 3.1.

Common Criteria version:

- Common Criteria for Information Technology Security Evaluation, Part 1: Introduction and General Model; Version 3.1, Revision 5, April 2017
- Common Criteria for Information Technology Security Evaluation, Part 2: Security Functional Requirements; Version 3.1, Revision 5, April 2017
- Common Criteria for Information Technology Security Evaluation, Part 3: Security Assurance Requirements; Version 3.1, Revision 5, April 2017

1.1.2 TOE Reference

The TOE is named “Security Chip MH1701 with IC Dedicated Software, V04_02”.

In this document the TOE is abbreviated to "Security Chip MH1701".

1.2 TOE Overview

1.2.1 TOE Introduction

The TOE implements a dedicated security 32-bit RISC CPU. The controller combines the

features of integrated peripheral, enhanced performance and optimized power consumption to make it ideal for chip card applications. The TOE offer a wide range of peripherals, including ISO interface, two timers, one watchdog, a CRC module, a true random number generator (TRNG) and a deterministic random number generator (DRNG), coprocessors for symmetric and asymmetric cryptographic algorithms. Additionally, a range of communication interfaces, such as GPIO, NFC.

The TOE comprises the MEGAHUNT security chip MH1701 and IC dedicated software which includes the firmware SBL stored in ROM and software such as Cryptographic libraries (CL).

1.2.2 TOE Application Scenario

The TOE offer all functions that are both required and useful in security systems, and integrated peripherals that are typically needed in chip card applications, such as information security, identification, access control, electronic banking, digital signature and multi-application cards, ID cards, transportation and e-purse applications.

1.2.3 TOE Security Functionality

The TOE is a powerful smart card IC with a large amount of memory and special peripheral devices with improved performance, optimized power consumption, at minimal chip size while implementing high security. The TOE with its integrated security features meets the security requirements of all smart card applications such as information integrity protection, access control, (U)SIM of the mobile telephone and identification card, as well as electronic funds transfer and healthcare systems. The security functionality is described as follows:

- The major components of the core system are the 32-bit CPU with security mechanisms supporting two modes: unprivileged and privilege
- Bus polarity switching
- The TOE provides a robust set of sensors for the purpose of monitoring proper chip operating conditions and detecting fault attacks. Including temperature sensor, internal frequency sensor, voltage sensor, glitch sensor and light sensor

- AES with countermeasures against SPA, DPA, EMA, DEMA and DFA attacks
- Triple-DES with countermeasures against SPA, DPA, EMA, DEMA and DFA attacks
- RSA cryptography with countermeasures against SPA, DPA, EMA, DEMA and DFA attacks
- Elliptic Curve (EC) cryptography with countermeasures against SPA, DPA, EMA, DEMA and DFA attacks
- The TOE provides True Random Number Generator (TRNG) specially designed for smart card applications are implemented. The TRNG fulfills the requirements from the functionality class PTG.2 of AIS31
- Memory access control and the enhanced Memory Protection Unit (eMPU)
- Specific active shielding that against probing and physical manipulation attacks
- Memory Encryption/Decryption Unit provides encryption of all memories inside the chip (RAM, CRAM, NVM and OTP)
- Parity check for RAM, CRAM and some critical registers
- ECC error correction for NVM/OTP
- Test mode protection
- Downloader disabling and protection

2 TOE Description

2.1 Physical Scope of TOE

The scope of the TOE includes the IC hardware, firmware, cryptographic library and API library.

Table 1 Components of the TOE scope

Type	Name	Release Version	Form of delivery
IC Hardware	Security chip MH1701	V04	Dual Interface (DIF)Module
Security	(overall version)	02	-
IC Dedicated	Security Boot Loader	V2.4	In ROM

Software	(SBL)		
	Cryptographic library and head files	V2.0	.Lib file .a file .h file
	Security API library and head files	V2.0	.Lib file .a file .h file
Document	MH1701 Security Chip V04_02 Cryptographic Library Interface Manual	V1.0	.PDF file
	MH1701 Security Chip V04_02 Security API Library Interface Manual	V1.0	.PDF file
	MH1701 Security Chip V04_02 Bootloader User Guidance specification	V1.0	.PDF file
	The datasheet of MH1701 Security Chip V04_02	V1.0	.PDF file
	MH1701 Security Chip V04_02 User Operational Guidance	V1.0	.PDF file
	MH1701 Security Chip V04_02 Preparative Procedures	V1.0	.PDF file

2.2 Logical Scope of the TOE

The logical scope of TOE hardware is the functionality of the hardware components described in the section 2.2.1. The logical scope of the IC dedicated software is described in this the section 2.2.2 and 2.2.3. The IC dedicated software includes firmware and software library two parts.

2.2.1 Hardware Description

The hardware part of the TOE (see Figure 1) as defined in this ST is comprised of:

- CPU
 - 32-bit RISC CPU
 - Enhanced Memory Protection Unit (eMPU)
- Memories
 - Read-Only Memory (ROM, for internal firmware)
 - Random Access Memory (RAM)
 - Cryptographic RAM (CRAM)
 - NVM memory (NVM)
 - One-Time-Programmable memory (OTP)
- Peripherals
 - ISO/IEC 7816 Interface
 - ISO/IEC 14443 Interface
 - SPI Interface
 - I2C Interface
 - General Purpose Input Output (GPIO)
 - Timers and Watchdog (T&W)
 - Clock Unit (CGU)
 - Reset Unit (RGU)
 - Direct Memory Access Controller (DMA)
 - Finite State Machine Power-up Unit (FSMPU)

- Coprocessors and Security module
 - Public Key Engine named PKE for asymmetric algorithms like RSA and EC
 - Symmetric Crypto co-processor for DES/TDES and AES Standards
 - Hash Functions: SHA-1, SHA-2
 - True Random Number Generator (TRNG)
 - Deterministic Random Number Generator (DRNG)
 - Checksum module (CRC)
- SECMU (including Security Sensor and shield)
 - Glitch Sensor
 - Temperature Sensor
 - Light Sensor
 - Voltage Sensor
 - Internal Frequency Sensor
 - Active Shield
- Buses
 - AHB Bus
 - APB Bus
 - DMA Bus

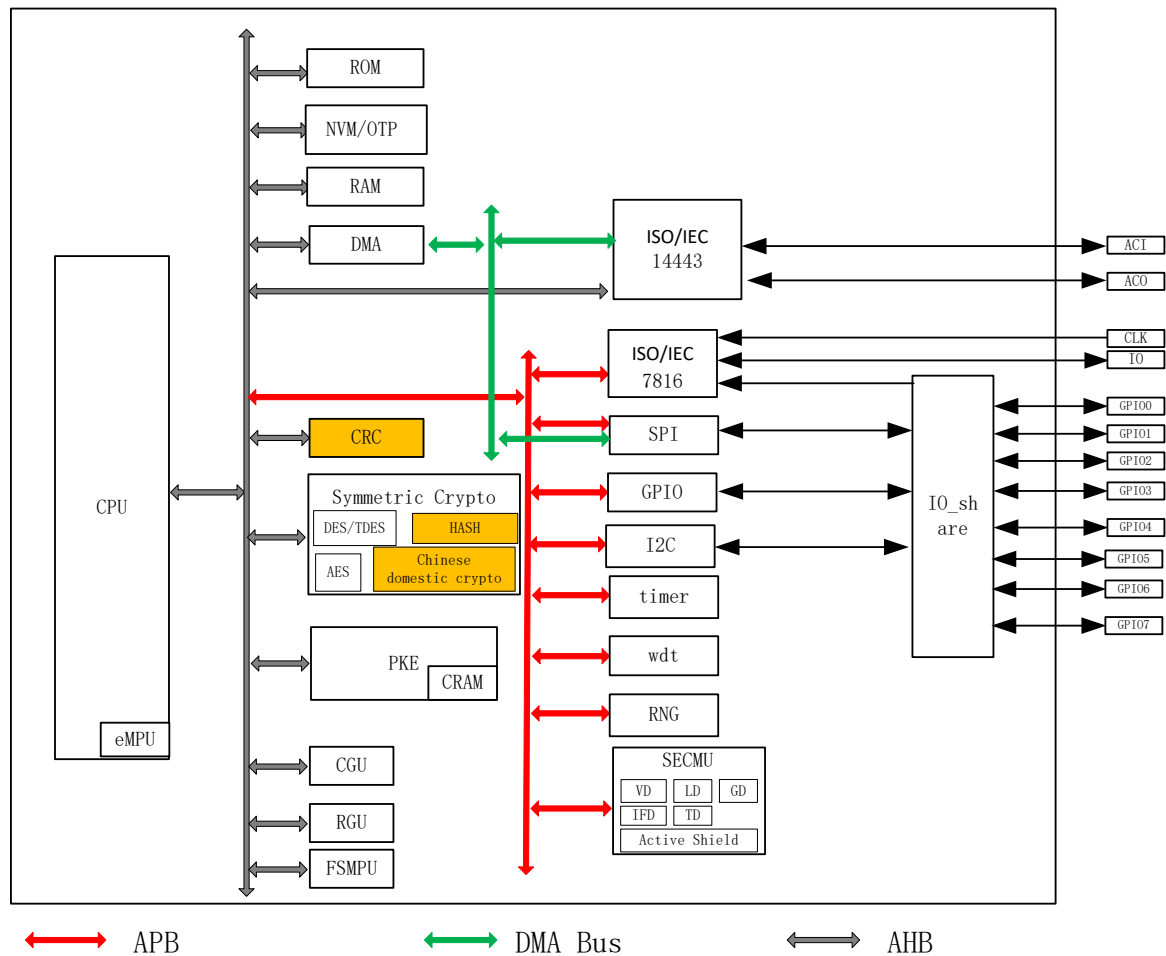


Figure 1 Hardware Boundary

The TOE contains the following functions, but these security functions are not claimed.

- Chinese domestic cryptographic function
- Single DES cryptographic function
- Hash functions for the SHA-1 and SHA-2 family
- Checksum module (CRC)
- Deterministic Random Number Generator (DRNG)

The TOE consists of smart card ICs (Security Controllers) meeting high requirements in terms of performance and security. This TOE is intended to be used in smart cards for particularly security-relevant applications and for the smart card operating system. The TOE consists of a core system, memories, co-processors, security peripherals, control logic and peripherals.

1) The major components of the CPU (Central Processing Unit) are the 32-bit RISC CPU, the

eMPU (Memory Protection Unit).

The memory model of the TOE provides two distinct, independent levels. Additionally, up to eight regions can be defined with different access rights controlled by the enhanced Memory Protection Unit (eMPU).

2) The major components of the memories are ROM, RAM, NVM and OTP.

ROM is used to store chip firmware programs. RAM is used to store temporary data for executing programs. NVM is used to store the program and data such as the cryptographic library, OS, user applications. The chip one time programmable (OTP) memory is used to store unchangeable data, such as public key, SN, chip parameters, etc.

The CPU accesses the memory via the integrated Memory Encryption and Decryption unit (MED). All user data of the memory is encrypted, RAM, CRAM are equipped with an error detection code (EDC) and the NVM, OTP is equipped in addition with an error correction code (ECC).

3) The TOE contains two co-processors PKE and SCP.

The PKE for calculation of asymmetric algorithms like RSA 512 to 4096-bits key length and scalar multiplication for Elliptic Curve (EC) cryptography with scalar length of 192, 224, 256, 384 and 521 bits and the SCP for DES, dual-key or triple-key TDES and AES (with key length of 128, 192 and 256 bits) calculations. These co-processors are especially designed for smart card applications with respect to the security and power consumption. The SCP module computes the complete AES/DES/TDES algorithm within a few clock cycles and AES algorithm is especially designed to counter attacks like SPA, DPA, EMA, DEMA and DFA. The PKE provides basic functions for the implementation of RSA and EC cryptographic libraries. The TOE also provides Chinese domestic cryptographic function and the hash functions for the SHA-1 and SHA-2 family, But, these function are not in evaluation scope.

4) The security peripherals include Security Sensor Modules, a CRC module and random number generators.

The Security Sensor Modules serve for operation within the specified range. A set of sensors (temperature sensor, backside light detector, VD, IFD, GD sensor) is used to detect excessive deviations from the specified operational range and serve for robustness of the TOE by

generating alarms. The alarms can be configured as resetting the TOE or generating the interrupts. In addition, the alarm signals of the sensors are self-tested during the power on process.

The cyclic redundancy check (CRC) module is a 16/32-bit checksum generator. It is not claimed as the security function.

Random Number Generators (TRNG/DRNG) specially designed for a smart card application is implemented. The TRNG fulfills the requirements from the functionality class PTG.2 of the AIS31 and produces true random numbers. The DRNG is not claimed as a security function.

5) The control logic unit includes Clock Unit (CGU), Reset Unit (RGU) and Finite State Machine Power-up Unit (FSMPU).

The Clock Unit (CGU) supplies the clocks for all components of the TOE. The system clock is based on the internal oscillator clock.

The Reset Unit (RGU) supplies the resets for all components of the TOE. It generates the system reset and resets for all the subsystems and modules.

The Finite State Machine Power-up Unit (FSMPU) manage the power up procedure (including sensors self-test) of the TOE.

6) TOE has three timer modules and one WDT (WDT and TIMER)

The TOE includes three 32-bit general purpose timers.

The Timer unit is used for timer operation when clocked by the oscillator/system clock or counter operation depending on the clock source configured. The unit can be programmed for particular applications, such as measuring the time behavior of an event or outputting a clock signal at the external pin. Note also the timer events can generate interrupt requests used for interrupt service routines or peripheral event channel data transfers.

The WDT timer is a circuit that monitors controller operation by automatically initiating a reset if a specified period without an adequate response elapses after the occurrence of a hardware or software irregularity. In normal operation, the timer register or software regularity cleared by software so that no alarm occurs. However, in the situation of a hardware or software irregularity which prevents the software from clearing the timer, a security alarm is triggered upon expiry of the WDT.

7) TOE has multiple interfaces such as ISO/IEC 14443, ISO/IEC 7816, SPI, I2C, GPIO

ISO/IEC 14443 interface and ISO/IEC 7816 interface are the interfaces available for the user.

SPI, GPIO and I2C interfaces are not valid for the TOE in the DIF module format.

ISO/IEC 14443 protocol is contactless card standards protocol. The ISO/IEC 14443 module supports the contactless card ISO/IEC 14443 Type A, Type B and Mifare protocol. The Mifare protocol can not be used for security purpose. In addition, the interface also supports multiple baud rates and supports automatic calculation of the CRC.

The ISO/IEC 7816 interface provides the physical layer and data link layer processing capabilities for character frame transmission in the ISO/IEC 7816-3 protocol, and implements asynchronous serial communication character frame transmission as defined by ISO/IEC 7816-3, while providing hardware support for T0 and T1 user programs.

The serial peripheral interface (SPI) allows the chip to communicate with external devices in a half/full duplex, synchronous, serial manner. This interface can be configured in master mode and provides a communication clock for external devices. The interface can also work in a variety of master configurations.

The serial peripheral interface (I2C) allows the chip to communicate with external devices. This interface can be configured in master mode or slave mode.

The GPIO interface consists of 8 pads which can be individually configured and combined in various ways. (SPI interface, I2C interface and reset of ISO/IEC 7816 are multiplexed with 5 of GPIO pads).

8) DMA

Direct Memory Access (DMA) refers to the interface technology that external devices directly exchange data with system memory without going through the CPU. The CPU and DMA access SPI and ISO/IEC 14443 interface through arbitration mechanism

2.2.2 Firmware Description

The entire firmware of the TOE is the Security Boot Loader (SBL).

The Security Boot Loader (SBL) is the part of the IC dedicated software of the TOE which is stored in the ROM. All mandatory functions for start-up, downloading and life cycle

protection are protected by a dedicated hardware firewall.

2.2.2.1 The chip Life cycle stage management

Security Boot Loader divides the chip life cycle into several stages. (Once the stage of the chip is upgraded, it will not be able to fall back to the previous stage): When the chip is delivered to customers, it is in the stages of Debug stage. Loader function dedicated for usage in Secured Environment only, and the loader function must be blocked after download. No one can access the sensitive operations of the chip again.

2.2.2.2 Security Boot

When the chip is powered on, SBL firstly checks the chip status, when it finds abnormal, the chip will not start. If there is no abnormality, SBL will continue to check whether there is valid Embedded Software in NVM. If there is no valid Embedded Software, the chip will not start. Otherwise, SBL configures the chip to the startup state and start the embedded software.

2.2.2.3 Security download

The Security Boot Loader can receive the image of the ES and download it into the NVM memory. The downloader must be used in a secure environment. This downloader function has to be disabled permanently by the ES developer after the completion of ES download.

2.2.3 Software Library Description

The software library of the TOE consists of the cryptographic libraries including DES, AES, RSA and EC and security API library.

1) Cryptographic Libraries

The RSA Cryptographic library (CL) is used to provide a high-level interface to RSA (Rivest, Shamir, Adleman) cryptography implemented on the hardware component PKE and includes countermeasures against SPA, DPA, EMA, DEMA and DFA attacks. The routines are used for

the generation of RSA key, the RSA encryption, the RSA decryption, RSA signature verification, RSA signature generation and RSA key completion. RSA key generation and RSA key completion interface are not claimed as a security function. The hardware PKE Cryptographic IP unit provides the basic long number calculations (add, subtract, multiply, power with 2048 bit numbers) with high performance. The RSA library is delivered as object code. The RSA library can perform RSA operations from 512 to 4096 bits. Following the BS12 recommendations, key lengths below 1976 bits are not included in the certificate.

The EC Crypto library (CL) is used to provide a high-level interface to Elliptic Curve cryptography implemented on the hardware component PKE and includes countermeasures against SPA, DPA, EMA, DEMA and DFA attacks. The routines are used for ECDSA signature generation, ECDSA signature verification, ECIES encryption, ECIES decryption, EC key generation and Elliptic Curve Diffie-Hellman key agreement. The EC library is delivered as lib files. The certification covers the standard NIST [12] and Brain pool [13] Elliptic Curves with key lengths of 192, 224, 256, 384 and 521 Bits, according to the national AIS32 regulations by the BSI.

The DES/TDES/AES Crypto library (CL) is also used to provide a high level interface to DES/TDES and AES symmetric cryptographic operations. It uses the SCP of the underlying hardware but implements also countermeasures against SPA, DPA, EMA, DEMA and DFA attacks on all known weaknesses of the SCP. The DES Crypto library is not claimed as a security function.

2) Security API Library

The security API library provides three functions: Cryptographic supporting, data security copy and security comparison, random number generation APIs (TRNG and DRNG), the TRNG is compliant with PTG.2.

The Cryptographic supporting function includes big number calculation and Cryptographic security configuration. The big number calculation function does not provide cryptographic function or additional security functionality as it provides only the following basic big number arithmetic and modular functions in software. The big number calculation function is deemed for software developers as support for simplified implementation of big number

and modular arithmetic operations.

2.3 Interfaces of the TOE

The external interfaces of the TOE are divided into two main categories. The first category comprises the physical interfaces of the TOE and the second category comprises the interfaces of the TOE to the IC embedded software.

2.3.1 Physical interface

The TOE has the following physical interfaces to external entities in the TOE environment:

- The physical interface of the TOE to the external environment is the entire surface of the IC: Wires for Active Shield, Front side, Back side.
- The electrical interface of the TOE to the external environment is constituted by the pads of the chip:
 - The five ISO/IEC 7816 pads consist particularly of the contacted Reset, I/O, CLK lines and supply lines VCC and GND. The contact based communication is according to ISO/IEC 7816/EMV.
 - ISO/IEC 14443 interface has two pins: ANT1 and ANT2.
 - The GPIO interface consists of 8 pads which can be individually configured and combined in various ways (SPI interface, I2C interface and reset of ISO/IEC 7816 are multiplexed with 5 of GPIO pads). These interfaces only exist on the TOE in the form of bare dies, but the TOE in the form of DIF Module does not provide.
- Sensor interface: Temperature sensor, Voltage sensor, Glitch sensor, Light sensor.

2.3.2 Software interface

The TOE has the following software interfaces to the embedded software developer:

- API interface:

- The interface to the RSA calculations is defined by the RSA Cryptographic library.
- The interface to the EC calculations is defined by the EC Cryptographic library.
- The interface to the DES/TDES calculations is defined by the DES/TDES Cryptographic library.
- The interface to the AES calculations is defined by the AES Cryptographic library.
- The interface to the true random number generation (TRNG) and deterministic random number generation (DRNG) are defined by the Security API library.
- APDU
 - The interface is a set of commands which communicated with the SBL.
- Register
 - The registers of the CPU, Co-processors and peripherals.
- CPU instruction set

2.4 Forms of delivery

The TOE can be delivered in form of complete DIF modules. The form of delivery does not affect the TOE security and it can be delivered in any form, as long as the processes applied and sites involved have been subject of the appropriate audit.

The delivery is after the end of phase4 (after module packaging) which can also include pre-personalization steps according to PP [1]. Nevertheless, in this case the TOE is finished and the extended test features are removed.

The software delivered is Cryptographic libraries and Security API Library. The following table shows the delivery methods for the TOE components.

Table 2 TOE deliveries: form and methods

TOE Component	Delivered Format	Delivery Method	Comment
MH1701	DIF modules	Postal transfer in	All materials are

		cages	delivered to distribution centers in cages, locked.
All Firmware	-	-	Stored on the delivered hardware
All software/libraries	Cryptographic libraries (object code)	Encrypted with the user's public key and emailed to the designated person	-
	Security API Library(object code)	Encrypted with the user's public key and emailed to the designated person	-
All User Guidance documents	Personalized PDF	Encrypted with the user's public key and emailed to the designated person	-

2.5 TOE Life Cycle

The complex development and manufacturing processes can be separated into seven distinct phases. The phases 2 and 3 of the life cycle cover the IC development and production:

- IC Development (Phase 2)
 - IC design
 - IC Dedicated Software development
- The IC Manufacturing (Phase 3)
 - Integration and photo mask fabrication
 - IC production
 - IC testing
 - Preparation and pre-personalization if necessary

The life cycle phase 4 is included in the evaluation of the IC:

- The IC Packaging (Phase 4)
 - Dicing
 - Security IC packaging (and testing)
 - Pre-personalization if necessary

In addition, four important stages have to be considered in the Composite Product life cycle:

- Security IC Embedded Software Development (Phase 1)
- The Composite Product finishing process, preparation and shipping to the personalization line for the Composite Product (Composite Product Integration Phase 5)
- The Composite Product personalization and testing stage where the User Data is loaded into the Security IC's memory (Personalization Phase 6)
- The Composite Product usage by its issuers and consumers (Operational Usage Phase 7) which may include loading and other management of applications in the field

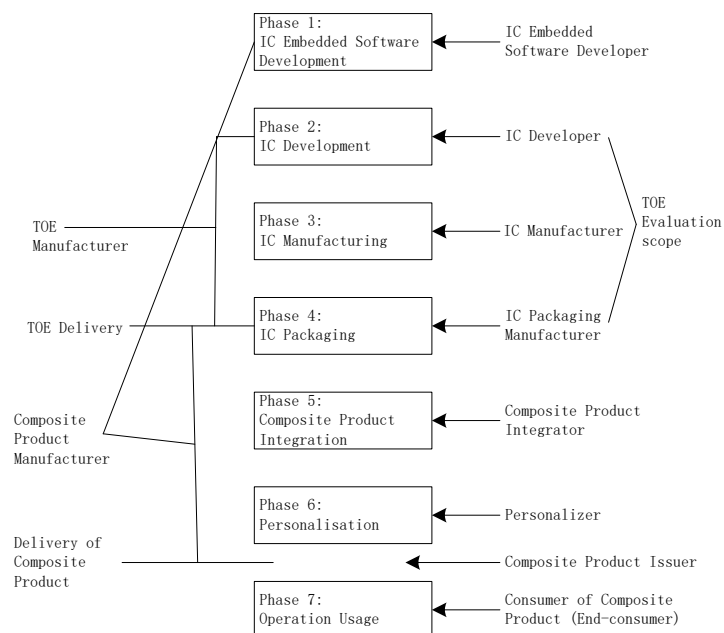


Figure 2 Definition of "TOE Delivery" and responsible Parties

The Security IC Embedded Software is developed outside the TOE development in Phase 1. The TOE is developed in Phase 2 and produced in Phase 3. After Phase 4 (module packaging), the TOE is delivered in form of DIF modules. The TOE evaluation scope is from Phase 2 to Phase 4.

2.6 TOE Configuration

The TOE offers different configuration options, which a customer can configure. After adding the clock adaptive mode, the clock frequency can be configured as 72MHz*4/32, 72 MHz *5/32, ..., 72MHz 32/32. Users can configure different clock frequencies according to their needs. There are two kinds of memory size available, RAM and NVM. The RAM and NVM size is configurable by MEGAHUNT and the ES developer can order the TOE of different RAM and NVM size. However, the memory size is determined before delivery to the ES developer. The size of the RAM is 16KB and 10KB. The size of the NVM is 512KB, 384KB and 256KB. The TOE provides the following configurations:

Table 3: TOE configuration

Number	Configuration option	Configuration value	Configurable in the field
1.	Clock Frequency	<ul style="list-style-type: none"> ● 72 MHz ● 69.75 MHz ● ... ● 11.25 MHz ● 9MHz 	Yes
2.	Memory size	RAM:	No
		<ul style="list-style-type: none"> ● 16KB ● 10KB 	
		NVM:	No
		<ul style="list-style-type: none"> ● 512KB ● 384KB ● 256KB 	

2.7 TOE initialization with Customer Software

Please refer to the following Table 4 for how to download the Customer's software on the TOE:

Table 4: How to download user software

1	The user downloads the software into the NVM memory on his own in the secured environment, and MEGAHUNT has not received user software and there are no user data in the ROM.	The software can be downloaded in the NVM memory by the user in the secured environment. After the software is downloaded into the NVM, the user must block the download function.
2	The user provides software for the download into the NVM memory to MEGAHUNT. The software is downloaded to the NVM memory during chip production. There are no user data in the ROM.	The Loader function is blocked by MEGAHUNT after downloading the user software into the NVM memory.

2.8 Non-TOE Hardware/ Software/ Firmware

The non-TOE hardware/ software/ firmware required by the TOE is the embedded software.

3 Conformance Claim

This chapter is divided into the following sections:

3.1 CC Conformance Claim

This Security Target (ST) and the TOE claim conformance to Common Criteria version v3.1 part 1 [2], part 2 [3] and part 3 [4].

- Common Criteria for Information Technology Security Evaluation Part 1: Introduction and general model, Version 3.1, Revision 5, April 2017, CCMB-2017-04-001
- Common Criteria for Information Technology Security Evaluation Part 2: Security functional components, Version 3.1, Revision 5, April 2017, CCMB-2017-04-002

- Common Criteria for Information Technology Security Evaluation Part 3: Security assurance components, Version 3.1, Revision 5, April 2017, CCMB-2017-04-003

Conformance of this ST is claimed for:

Common Criteria part 2 extended and Common Criteria part 3 conformant.

3.2 PP Claim

This Security Target is strict compliant to the Protection Profile:

Security IC Platform Protection Profile, Version 1.0, 13th Jan. 2014, registered and certified by Bundesamt für Sicherheit in der Informationstechnik (BSI) under the reference BSI-PP-0084.

The short term for this Protection Profile used in this document is “BSI-PP-0084” or “PP”.

Since the Security Target claims conformance to this PP, the concepts are used in the same sense. For the definition of terms refer to the BSI-PP-0084. These terms also apply to this Security Target.

The TOE provides additional functionality, which is not covered in PP. In accordance with Application Note 4 of the BSI-PP-0084, this additional functionality is added using the policy “P.Crypto-Service” (see Section 4.2 of this Security Target for details).

The following additional security functional requirements and cryptographic security services defined in the PP [1] appendix are claimed in this Security Target: The package for TDES Cryptographic from BSI-PP-0084 (chapter 7.4.1) and the Package for AES Cryptographic from BSI-PP-0084 (chapter 7.4.2).

This ST does not claim conformance to any other protection profile.

3.3 Package Claim

This Security Target claims conformance to the assurance package EAL6 augmented. The augmentations to EAL6 are ALC_FLR.1

The assurance level for the TOE is EAL6 augmented with the components ALC_FLR.1.

This assurance level conforms to the Security IC Platform Protection Profile.

3.4 Conformance Claim Rationale

This Security Target claims strict conformance to the Security IC Platform Protection Profile (BSI-PP-0084).

The TOE type defined in this Security Target is secure IC which is consistent with the TOE definition in Security IC Platform Protection Profile.

All sections of this Security Target, in which security problem definition, objectives and security requirements are defined, clearly state which of these items are taken from PP and which are added in this Security Target. Therefore, this is not repeated here. Moreover, all additionally stated items in this Security Target do not contradict the items included from the BSI-PP-0084 (see the respective sections in this document). The operations done for the SFRs taken from PP are also clearly indicated.

The evaluation assurance level claimed for the target (EAL6+) is shown in section 6.2 to include respectively exceed the requirement claimed by the BSI-PP-0084.

These considerations show that the Security Target correctly claims strict conformance to PP.

4 Security Problem Definition

4.1 Description of Assets

The assets of the TOE are all assets described in section 3.1 of the BSI-PP-0084 “Security IC Protection Profile” [1].

4.2 Threats

Since this Security Target claims strict conformance to the BSI-PP-0084 “Security IC Protection Profile” the threats defined in section 3.2 of PP are valid for this Security Target.

The threats defined in PP are listed below in Table 5:

Table 5: Threats according to PP [1]

T.Phys-Manipulation	Physical Manipulation
---------------------	-----------------------

T.Phys-Probing	Physical Probing
T.Malfunction	Malfunction due to Environmental Stress
T.Leak-Inherent	Inherent Information Leakage
T.Leak-Forced	Forced Information Leakage
T.Abuse-Func	Abuse of Functionality
T.RND	Deficiency of Random Numbers

The TOE shall avert the threat “Unauthorized Memory or Hardware Access (T.Unauthorized-Access)” as specified below.

T.Unauthorized-Access Unauthorized Memory or Hardware Access

Adverse action: An attacker may try to read, modify or execute code or data stored in restricted memory areas. And or an attacker may try to access or operate hardware resources that are restricted by executing code.

Threat agent: Attacker

Asset: Execution of code, restricted memory areas and hardware resources.

Table 6: Additional threats averted by the TOE

T.Unauthorized-Access	Unauthorized Memory or Hardware Access
-----------------------	--

4.3 Organizational Security Policies

Since this Security Target claims strict conformance to the BSI-PP-0084 “Security IC Protection Profile” the policy P.Process-TOE “Protection during TOE Development and Production” in PP is applied here as well.

In accordance with Application Note 5 in PP there are two additional policies defined in this Security Target as detailed below.

The TOE provides specific security functionality, which can be used by the Security IC Embedded Software. In the following, specific security functionality is listed, which is not derived from threats identified for the TOE’s environment. It can only be decided in the context of the application against which threats the Security IC Embedded Software will use this specific security functionality.

The IC Developer/Manufacturer therefore applies the policies as specified below:

P.Crypto-Service Cryptographic services of the TOE

The TOE provides secure hardware based cryptographic services for the IC Embedded Software:

- TDES encryption and decryption
- AES encryption and decryption
- RSA
- EC

P.Lim_Block_Loader Limiting and Blocking the Loader Functionality.

The TOE provides the loader functionality. The organizational security policy “Limiting and Blocking the Loader Functionality (P.Lim_Block_Loader)” applies to the Loader dedicated for usage in secured environment. Loader is only used in operational environments which are under control of the owner of the loaded data or its subcontractor.

P.Lim_Block_Loader Limiting and Blocking the Loader Functionality

The composite manufacturer uses the Loader for loading of Security IC Embedded Software, user data of the Composite Product or IC Dedicated Support Software in charge of the IC Manufacturer. He limits the capability and blocks the availability of the Loader in order to protect stored data from disclosure and manipulation.

4.4 Assumptions

Since this Security Target claims strict conformance to the BSI-PP-0084 “Security IC Protection Profile” the assumptions defined in section 3.4 of PP are valid for this Security Target. The following Table 7 lists these assumptions.

Table 7: Assumption according to PP [1]

Name	Title
A.Process-Sec-IC	Protection during Packaging, Finishing and Personalization
A.Resp-Appl	Treatment of User Data

5 Security Objectives

This chapter contains the following sections: “Security Objectives for the TOE”, “Security Objectives for the Operational Environment” and “Security Objectives Rationale”.

5.1 Security Objectives for the TOE

The TOE fulfills the following security objectives, which are taken from PP [1] or newly created.

Table 8: Security Objectives for the TOE

Security Objective (SO)	Description	Security Objective Source
O.Phys-Manipulation	Protection against Physical Manipulation	From PP
O.Phys-Probing	Protection against Physical Probing	From PP
O.Malfunction	Protection against Malfunction	From PP
O.Leak-Inherent	Protection against Inherent Information Leakage	From PP
O.Leak-Forced	Protection against Forced Information Leakage	From PP
O.Abuse-Func	Protection against Abuse of Functionality	From PP
O.Identification	TOE Identification	From PP
O.RND	Random Numbers	From PP
O.TDES	TDES functionality	From PP
O.AES	AES functionality	From PP
O.RSA	RSA functionality	New SO

O.EC	Scalar multiplication for EC	New SO
O.Mem-Access	Area based Memory Access Control	New SO
O.Cap_Avail_Loader	Capability and availability of the Loader	From PP

The security objectives which the category type is “from PP” are defined and described in PP [1] section 4.1 and Annex. The other additional new security objectives are defined based on the functionality provided by the TOE as specified below:

O.RSA RSA functionality

The TOE shall provide cryptographic functionality to perform an RSA encryption and decryption to the Security IC Embedded Software.

O.EC EC functionality

The TOE shall provide cryptographic functionality to perform an EC encryption and decryption to the Security IC Embedded Software.

The TOE shall provide “Area based Memory Access Control (O.Mem-Access)” as specified below.

O.Mem-Access Area based Memory Access Control

Access by processor instructions to Area based resources (memory and hardware resources such as SF Registers) is controlled by the TOE. The TOE decides based on the area access permissions control of the enhanced Memory Protection Unit.

The TOE shall provide “Capability and availability of the Loader (O.Cap_Avail_Loader)” as specified below.

O.Cap_Avail_Loader Capability and availability of the Loader

The Composite Product Manufacturer will protect the Loader functionality against misuse, limit the capability of the Loader and terminate irreversibly the Loader after intended usage of the Loader. The TSF provides limited capability of the Loader functionality and irreversible termination of the Loader in order to protect stored user

data from disclosure and manipulation

5.2 .Security Objectives for the Security IC Embedded Software

The security objectives for the security IC embedded software development environment and the operational environment is defined in PP [1] section 4.2. The table below lists the security objectives.

Table 9: Security objectives for the embedded software according to PP [1]

OE.Resp-Appl	Treatment of User Data of Composite TOE
--------------	---

5.3 Security Objectives for the Operational Environment

The security objectives for the operational environment is defined in PP [1] section 4.3 and section 7.3.1.

Table 10: Security objectives for the operational environment according to PP [1]

OE.Process-Sec-IC	Protection during composite product manufacturing
OE.Lim_Block_Loader	Limitation of capability and blocking the Loader

5.4 Security Objectives Rational

Section 4.4 in the BSI-PP-0084 “Security IC Protection Profile” provides a rationale how the assumptions, threats, and organizational security policies are addressed by the objectives that are specified in the BSI-PP-0084. Table 11 reproduces the table in section 4.4 and adds the mapping for P.Lim_Block_Loader from section 7.3.1 of PP [1].

Table 11: Security Objectives versus Assumptions, Threats or Policies

Assumption, Threat or Organizational Security Policy	Security Objective
A.Resp-Appl	OE.Resp-Appl
P.Process-TOE	O.Identification
A.Process-Sec-IC	OE.Process-Sec-IC
T.Leak-Inherent	O.Leak-Inherent
T.Phys-Probing	O.Phys-Probing

T.Malfunction	O.Malfunction
T.Phys-Manipulation	O.Phys-Manipulation
T.Leak-Forced	O.Leak-Forced
T.Abuse-Func	O.Abuse-Func
T.RND	O.RND
P.Lim_Block_Loader	O.Cap_Avail_Loader
	OE.Lim_Block_Loader

The following table provides the justification for the additional security objectives. They are in line with the security objectives of the BSI-PP-0084 and supplement these according to the additional threats and organizational security policies.

Table 12 provides the justification for the additional security objectives. They are in line with the security objectives of PP and supplement these according to the additional assumptions, threat and organizational security policy.

Table 12: Addition Security Objectives versus Assumptions, Threats or Policies

Assumption, Threat or Organizational Security Policy	Security Objective
T.Unauthorized-Access	O.Mem-Access
P.Crypto-Service	O.TDES
	O.AES
	O.RSA
	O.EC

The justification of the additional policy, threat and assumption is given in the following description.

The justification related to the threat “Unauthorized Memory or Hardware Access (T.Unauthorized-Access)” is as follows:

According to O.Mem-Access the TOE must enforce the partitioning of memory areas so that access to memory areas is controlled. Restrictions are controlled by the hardware or eMPU. Thereby security violations caused by accidental or deliberate access to restricted data (which may include code) can be prevented (refer to T.Unauthorized-Access). The threat T.Unauthorized-Access is therefore countered if the objective is met.

The justification related to the security objectives O.TDES, O.AES, O.RSA and O.EC is as follows: Since these objectives require the TOE to implement exactly the same specific security functionality as required by P.Crypto-Service, the organizational security policy is covered by the objectives.

The justification of the additional policy and the additional assumption show that they do not contradict to the rationale already given in the Protection Profile for the assumptions, policies and threats defined there.

6 Extended Components Definition

There are four extended components defined and described for the TOE:

- the family FCS_RNG at the class FCS Cryptographic Support
- the family FMT_LIM at the class FMT Security Management
- the family FAU_SAS at the class FAU Security Audit
- the family FDP_SDC at the class FDP User data protection

The extended components FCS_RNG, FMT_LIM FAU_SAS and FDP_SDC are defined and described in the BSI-PP-0084 section 5.

7 Security Requirements

This part of the Security Target defines the detailed security requirements that shall be satisfied by the TOE. The statement of TOE security requirements shall define the functional and assurance security requirements that the TOE needs to satisfy in order to meet the security objectives for the TOE. This chapter consists of the sections “Security Functional Requirements”, “Security Assurance Requirements” and “Security Requirements Rationale”.

The CC allows several operations to be performed on security requirements (on the component level); refinement, selection, assignment, and iteration are defined in paragraph 8.1 of Part 1 of the CC [2]. These operations are used in the PP [1] and in this Security Target, respectively.

The **refinement** operation is used to add details to requirements, and, thus, further restricts a requirement. Refinements of security requirements are denoted in such a way that added words are in **bold text** and changed words are crossed out as ~~crossed-out text~~.

The **assignment** operation is used to assign a specific value to an unspecified parameter, such as the length of a password. Assignments having been made are denoted by showing as *italic text*.

The **selection** operation is used to select one or more options provided by the PP [1] or CC in stating a requirement. Selections having been made are denoted as *underlined italic*.

The **iteration** operation is used when a component is repeated with varying operations. It is denoted by showing brackets “[iteration indicator]” and the iteration indicator within the brackets.

7.1 TOE Security Functional Requirements

The security functional requirements (SFR) for the TOE are defined and described in PP section 6.1 and in the following description.

The Table 13 provides an overview of the functional security requirements of the TOE, defined in PP [1] section 6.1. In the last column it is marked if the requirement is refined. The refinements are also valid for this ST.

Table 13: Security functional requirements defined in PP

SFR	Title	Refined in PP
FRU_FLT.2	Limited fault tolerance	Yes
FPT_FLS.1	Failure with preservation of secure state	Yes
FMT_LIM.1	Limited capabilities	No
FMT_LIM.2	Limited availability	No
FAU_SAS.1	Audit storage	No
FPT_PHP.3	Resistance to physical attack	Yes
FDP_SDI.2	Stored data integrity monitoring and action	No

FDP_SDC.1	Stored data confidentiality	No
FDP_ITT.1	Basic internal transfer protection	Yes
FPT_ITT.1	Basic internal TSF data transfer protection	Yes
FDP_IFC.1	Subset information flow control	No
FCS_RNG.1	Random Number Generation(Class PTG.2)	No
FCS_COP.1	Cryptographic operation	No
FCS_CKM.4	Cryptographic key destruction	No
FMT_LIM.1[Loader]	Limited capabilities - Loader	No
FMT_LIM.2[Loader]	Limited availability - Loader	No

The Table 14 provides an overview about the augmented security functional requirements, which are added additional to the TOE and defined in this ST. All requirements are taken from Common Criteria Part 2 [3].

Table 14: Augmented security functional requirements

SFR	Title
FDP_ACC.1	Subset access control-memory access control
FDP_ACF.1	Security attribute based access control-memory access control
FMT_MSA.1	Management of security attributes
FMT_MSA.3	Static attribute initialization
FCS_COP.1[TDES]	Cryptographic operation
FCS_COP.1[AES]	Cryptographic operation
FCS_COP.1[RSA]	Cryptographic operation
FCS_COP.1[ECDSA]	Cryptographic operation
FCS_CKM.1[EC]	Cryptographic key generation
FCS_COP.1[ECDH]	Cryptographic operation
FCS_COP.1[ECIES]	Cryptographic operation

All assignments and selections of the security functional requirements of the TOE are done in PP [1] and in the following description.

The components FMT_LIM.1 and FMT_LIM.2 are introduced in PP [1] to define the IT

security functional requirements of the TOE as an additional family (FMT_LIM) of the Class FMT (Security Management). This family describes the functional requirements for the Test Features of the TOE. The new functional requirements were defined in the class FMT because this class addresses the management of functions of the TSF.

The following sections provide extended Security Functional Requirement components, additional application notes and performed operations for the Security Functional Requirements.

7.1.1 Extended Components

The following SFRs are listed due to the assignment and refinement operations that are performed or further application note has to be provided. Other extended SFRs are not copied from the PP [1].

- **FCS_RNG**

To define the security functional requirements of the TOE an additional family (FCS_RNG) of the Class FCS (Cryptographic Support) is defined here. This family describes the functional requirements for the generation of random numbers, which may be used as secrets for cryptographic purpose or authentication.

The TOE shall meet the requirement “Quality metric for random numbers (FCS_RNG.1)” as specified below (Common Criteria Part 2 extended).

FCS_RNG.1 Random Number Generation (Class PTG.2)

Hierarchical to: No other components

Dependencies: No dependencies

Note: The definition of the Security Functional Requirement FCS_RNG.1 has been taken from [5]

Note: The functional requirement FCS_RNG.1 is a selection and assignment of FCS_RNG.1 defined in PP [1] according to [5]

FCS_RNG.1.1 The TSF shall provide a physical random number generator which implements:

PTG.2.1: A total failure test detects a total failure of entropy source immediately when the RNG has started. When a total failure is detected,

no random numbers will be output.

PTG.2.2: If a total failure of the entropy source occurs while the RNG is being operated, the RNG prevents the output of any internal random number that depends on some raw random numbers that have been generated after the total failure of the entropy source.

PTG.2.3: The online test shall detect non-tolerable statistical defects of the raw random number sequence (i) immediately when the RNG has started, and (ii) while the RNG is being operated. The TSF must not output any random numbers before the power-up online test has finished successfully or when a defect has been detected.

PTG.2.4: The online test procedure shall be effective to detect non-tolerable weaknesses of the random numbers soon.

PTG.2.5: The online test procedure checks the quality of the raw random number sequence. It is triggered continuously. The online test is suitable for detecting non-tolerable statistical defects of the statistical properties of the raw random numbers within an acceptable period of time.

FCS_RNG.1.2 The TSF shall provide octets of bits that meet:

PTG.2.6: Test procedure A does not distinguish the internal random numbers from output sequences of an ideal RNG.

PTG.2.7: The average Shannon entropy per internal random bit exceeds 0.997.

● FAU_SAS

To define the security functional requirements of the TOE an additional family (FAU_SAS) of the Class FAU (Security Audit) is defined here. This family describes the functional requirements for the storage of audit data. It has a more general approach than FAU_GEN, because it does not necessarily require the data to be generated by the TOE itself and because it does not give specific details of the content of the audit records.

The TOE shall meet the requirement "Audit storage (FAU_SAS.1)" as specified below (Common Criteria Part 2 extended).

FAU_SAS.1 Audit Storage

Hierarchical to: No other components

Dependencies: No dependencies.

FAU_SAS.1.1 The TSF shall provide *the test process before TOE Delivery with the capability to store the Initialization Data and/or Pre-personalization Data and/or supplements of the Security IC Embedded Software in the not changeable configuration page area and non-volatile memory.*

7.1.2 Data Integrity

The TOE shall meet the requirement “Stored data integrity monitoring and action (FDP_SDI.2)” as specified below:

FDP_SDI.2 Stored data integrity monitoring and action

Hierarchical to: FDP_SDI.1 Stored data integrity monitoring

Dependencies: No dependencies

FDP_SDI.2.1 The TSF shall monitor user data stored in containers controlled by the TSF for inconsistencies between stored data and corresponding EDC or ECC code on all objects, based on the following attributes: *EDC value for the RAM, CRAM and ECC value for NVM and OTP.*

FDP_SDI.2.2 Upon detection of a data integrity error, the TSF shall *correct the content or trigger an alarm*”.

Application note: When detection of an EDC error, the TOE will be in reset or interrupt to CPU.
When detection of the ECC error, the TOE will correct the data with ECC code when possible and interrupt to CPU.

7.1.3 Data Confidentiality**FDP_SDC.1 Stored data confidentiality**

Hierarchical to: No other components.

Dependencies: No dependencies.

FDP_SDC.1.1 The TSF shall ensure the confidentiality of the information of the user data while it is stored in the *NVM, OTP, CRAM and RAM*.

7.1.4 Malfunctions

FPT_FLS.1 Failure with preservation of secure state

Hierarchical to: No other components.

Dependencies: No dependencies.

FPT_FLS.1.1 The TSF shall preserve a secure state when the following types of failures occur: *exposure to operating conditions which may not be tolerated according to the requirement Limited fault tolerance (FRU_FLT.2) and where therefore a malfunction could occur.*

Application note: The failures will cause an alarm signals to be triggered, which will result in a special function register bit to be set and a reset (secure state).

Regarding Application Note 15 of the PP [1] generation of additional audit data is not defined for “Limited fault tolerance” (FRU_FLT.2) and “Failure with preservation of secure state” (FPT_FLS.1).

FPT_PHP.3 Resistance to physical attack

Hierarchical to: No other components.

Dependencies: No dependencies.

FPT_PHP.3.1 The TSF shall resist *physical manipulation and physical probing* to the TSF by responding automatically such that the SFRs are always enforced.

Application note: If a physical manipulation or physical probing attack is detected, an alarm will be automatically triggered by the hardware, which will cause the chip to be reset or generate an interrupt.

7.1.5 Memory Access Control

The security service being provided is described in the Security Function Policy (SFP) Memory Access Control Policy. The security functional requirement “Subset access control

(FDP_ACC.1)” requires that this policy is in place and defines the scope where it applies. The security functional requirement “Security attribute based access control (FDP_ACF.1)” defines security attribute usage and characteristics of policies. It describes the rules for the function that implements the Security Function Policy (SFP) as identified in FDP_ACC.1. The decision whether an access is permitted or not is taken based upon attributes allocated to the software. The Smartcard Embedded Software defines the attributes and memory areas. The corresponding permission control information is evaluated “on the-fly” by the hardware so that access is granted/effective or denied/inoperable.

The following Security Function Policy (SFP) Memory Access Control Policy is defined for the requirement “Security attribute based access control (FDP_ACF.1)”.

7.1.6 Memory Access Control Policy

The TOE shall control read, write and execute accesses of software running at boot mode or different CPU modes (privilege and un-privilege) on data including code stored in memory areas and special function registers. The TOE can also support the enhanced Memory Protection Unit. The eMPU can be used to control access to the memory based on the address.

The TOE shall meet the requirement “Subset access control (FDP_ACC.1)” as specified below.

FDP_ACC.1 Subset access control

Hierarchical to: No other components

Dependencies: FDP_ACF.1 Security attribute based access control

FDP_ACC.1.1 The TSF shall enforce the *Memory Access Control Policy on all subjects: Boot program, privileged and unprivileged program, all objects: defined regions in memory and all the operations: read, write, execute defined in the Memory Access Control Policy.*

The TOE shall meet the requirement “Security attribute based access control (FDP_ACF.1)” as specified below.

FDP_ACF.1 Security attribute based access control

Hierarchical to: No other components

Dependencies: FDP_ACC.1 Subset access control

FMT_MSA.3 Static attribute initialization

FDP_ACF.1.1 The TSF shall enforce the *Memory Access Control Policy* to objects based on the following: *the subjects access the objects according to the following memory access control rules.*

FDP_ACF.1.2 The TSF shall enforce the following rules to determine if an operation among controlled subjects and controlled objects is allowed: *evaluate the corresponding access permission control information of the memory range of the objects during the access to determine whether the accesses can be granted to perform the operation by the subject.*

FDP_ACF.1.3 The TSF shall explicitly authorize access of subjects to objects based on the following additional rules: *none*

FDP_ACF.1.4 The TSF shall explicitly deny access of subjects to objects based on the following additional rules: *none*

Application note: The rules of Memory Access Control policy is defined as follows

Table 15: Memory Access Control Policy

Subjects Objects	Boot Program	Privileged Program	Un-Privileged Program
ROM	Read, execute	Not accessible	Not accessible
ROM INFO	Read, execute	Read, execute	Not accessible
CRAM	Read, write	Read, write	Not accessible
RAM	Read, write	Read, write	Read, write

Subjects Objects	Boot Program	Privileged Program	Un-Privileged Program
NVM	ES area: Read, execute(after ES is downloaded into this area)	ES area: Read, execute(after ES is downloaded into this area)	Read, execute
	Other area: Read, write, execute	Other area: Read, write, execute	
OTP	Chip parameter area: Read / *execute, but no code in this region*	Chip parameter area: Read / *execute, but no code in this region*	Read /*execute, but no code in this region*
	User area: Read, write, execute	User area: Read, write, execute	
Critical register	Read, write	Read, write	Not accessible
Other peripheral registers	Read, write	Read, write	Read, write

The TOE shall meet the requirement “Static attribute initialization (FMT_MSA.3)” as specified below.

FMT_MSA.3 Static attribute initialization

Hierarchical to: No other components.

Dependencies: FMT_MSA.1 Management of security attributes

FMT_SMR.1 security roles

FMT_MSA.3.1 The TSF shall enforce the *Memory Access Control Policy* to provide restrictive default values for security attributes that are used to enforce the SFP.

FMT_MSA.3.2 The TSF shall allow *no subject* to specify alternative initial values to override the default values when an object or information is created.

The TOE shall meet the requirement “Management of security attributes (FMT_MSA.1)” as specified below:

FMT_MSA.1 Management of security attributes

Hierarchical to: No other components.

Dependencies: [FDP_ACC.1 Subset access control or

FDP_IFC.1 Subset information flow control]

FMT_SMF.1 Specification of management functions

FMT_SMR.1 Security roles

FMT_MSA.1.1 The TSF shall enforce the *Memory Access Control Policy* to restrict the ability to *modify* the security attributes *to the privilege level program*.

FMT_SMF.1 Specification of management functions

Hierarchical to: No other components

Dependencies: No dependencies

FMT_SMF.1.1 The TSF shall be capable of performing the following security management functions: *The privilege level program shall be able to access the configuration registers of the eMPU.*

7.1.7 Cryptographic Support

FCS_COP.1 Cryptographic operation requires a cryptographic operation to be performed in accordance with a specified algorithm and with a cryptographic key of specified sizes. The specified algorithm and cryptographic key sizes can be based on an assigned standard.

The following additional specific security functionality is implemented in the TOE:

- Advanced Encryption Standard (AES)
- Triple Data Encryption Standard (TDES)
- Elliptic Curve Cryptography (EC)
- Rivest-Shamir-Adleman (RSA)

➤ **TDES Operation**

The TDES Operation of the TOE shall meet the requirement “Cryptographic operation (FCS_COP.1)” as specified below.

FCS_COP.1 [TDES] Cryptographic operation-TDES

Hierarchical to: No other components.

Dependencies: [FDP_ITC.1 Import of user data without security attributes, or FDP_ITC.2 Import of user data with security attributes, or FCS_CKM.1 Cryptographic key management],
FCS_CKM.4 Cryptographic key destruction

FCS_COP.1.1 [TDES] The TSF shall perform *encryption and decryption* in accordance with a specified cryptographic algorithm *TDES in ECB/CBC mode* and cryptographic key sizes *112 bits and 168 bits* that meet the following *NIST SP800-67[7] and NIST SP800-38A[8]*.

FCS_CKM.4[TDES] Cryptographic key destruction - TDES

Hierarchical to: No other components.

Dependencies: [FDP_ITC.1 Import of user data without security attributes, or FDP_ITC.2 Import of user data with security attributes, or
FCS_CKM.1 Cryptographic key generation]

FCS_CKM.4.1[TDES] The TSF shall destroy cryptographic keys in accordance with a specified cryptographic key destruction method: *at the end of cryptographic API function, a new random number will be filled in the key register* that meets the following: *none*.

➤ **AES Operation**

The AES Operation of the TOE shall meet the requirement “Cryptographic operation (FCS_COP.1)” as specified below.

FCS_COP.1[AES] Cryptographic operation - AES

Hierarchical to: No other components.

Dependencies: [FDP_ITC.1 Import of user data without security attributes or FDP_ITC.2 Import of user data with security attributes, or FCS_CKM.1 Cryptographic key generation],

FCS_CKM.4 Cryptographic key destruction

FCS_COP.1.1[AES] The TSF shall perform *encryption and decryption* in accordance with a specified cryptographic algorithm *AES in ECB/CBC mode* and cryptographic key sizes *128 bit, 192 bit and 256 bit* that meet the following *FIPS PUB 197 [8] and NIST SP800-38A [7]*.

FCS_CKM.4[AES] Cryptographic key destruction - AES

Hierarchical to: No other components.

Dependencies: [FDP_ITC.1 Import of user data without security attributes, or FDP_ITC.2 Import of user data with security attributes, or FCS_CKM.1 Cryptographic key generation]

FCS_CKM.4.1[AES] The TSF shall destroy cryptographic keys in accordance with a specified cryptographic key destruction method: *at the end of cryptographic API function, a new random number will be filled in the key register* that meets the following: *none*.

➤ Rivest-Shamir-Adleman (RSA) operation

The Modular Arithmetic Operation of the TOE shall meet the requirement “Cryptographic operation (FCS_COP.1)” as specified below.

FCS_COP.1[RSA] Cryptographic operation

Hierarchical to: No other components.

Dependencies: [FDP_ITC.1 Import of user data without security attributes, or FDP_ITC.2 Import of user data with security attributes, or FCS_CKM.1 Cryptographic key management], FCS_CKM.4 Cryptographic key destruction

FCS_COP.1.1[RSA] The TSF shall perform *encryption, decryption* in accordance with a specified cryptographic algorithm *Rivest-Shamir-Adleman (RSA)* and cryptographic key sizes from *512 to 4096 bits* that meet the following: *RSA standard [9]*.

➤ Elliptic Curve DSA (ECDSA) operation

The Modular Arithmetic Operation of the TOE shall meet the requirement “Cryptographic

operation (FCS_COP.1)” as specified below.

FCS_COP.1 [ECDSA] Cryptographic operation

Hierarchical to: No other components.

Dependencies: [FDP_ITC.1 Import of user data without security attributes, or FDP_ITC.2 Import of user data with security attributes, or FCS_CKM.1 Cryptographic key generation]
FCS_CKM.4 Cryptographic key destruction

FCS_COP.1.1 [ECDSA] The TSF shall perform *signature generation* and *signature verification* in accordance with a specified cryptographic algorithm *ECDSA* and cryptographic key sizes *192, 224, 256, 384 and 521 bits* that meet the following *ANSI X9.62-2005 [11] and ANSI X9.63-2011 (R2017) [12]*

➤ **Elliptic Curve (EC) key generation**

The key generation for the EC shall meet the requirement “Cryptographic key generation (FCS_CKM.1)”

FCS_CKM.1 [EC] Cryptographic key generation

Hierarchical to: No other components.

Dependencies: FCS_CKM.2 Cryptographic key distribution, or
FCS_COP.1 Cryptographic operation]
FCS_CKM.4 Cryptographic key destruction

FCS_CKM.1.1 [EC] The TSF shall perform *key generation* in accordance with *Elliptic Curve EC* cryptographic key sizes *192, 224, 256, 384 and 521 bits* that meet the following *ANSI X9.62-2005 [11] and ANSI X9.63-2011 (R2017) [12]*.

➤ **Elliptic Curve Diffie-Hellman (ECDH) key agreement**

The Modular Arithmetic Operation of the TOE shall meet the requirement “Cryptographic operation (FCS_COP.1)” as specified below.

FCS_COP.1 [ECDH] Cryptographic operation

Hierarchical to: No other components.

Dependencies: [FDP_ITC.1 Import of user data without security attributes, or FDP_ITC.2

Import of user data with security attributes, or

FCS_CKM.1 Cryptographic key generation]

FCS_CKM.4 Cryptographic key destruction

FCS_COP.1.1[ECDH] The TSF shall perform *elliptic curve Diffie-Hellman key agreement* in accordance with a specified cryptographic algorithm *ECDH* and cryptographic key sizes of *192, 224, 256, 384 and 521 bits* that meet the following *ANSI X9.62-2005 [11] and ANSI X9.63-2011 (R2017) [12]*

➤ **Elliptic Curve Integrated Encryption Scheme (ECIES) key agreement**

The Modular Arithmetic Operation of the TOE shall meet the requirement “Cryptographic operation (FCS_COP.1)” as specified below.

FCS_COP.1 [ECIES] Cryptographic operation

Hierarchical to: No other components.

Dependencies: [FDP_ITC.1 Import of user data without security attributes, or FDP_ITC.2

Import of user data with security attributes, or FCS_CKM.1

Cryptographic key generation]

FCS_CKM.4 Cryptographic key destruction

FCS_COP.1.1 [ECIES] The TSF shall perform *encryption and decryption* in accordance with a specified cryptographic algorithm *ECIES* and cryptographic key sizes *192, 224, 256, 384 and 521 bits* that meet the following *ANSI X9.62-2005 [11] and ANSI X9.63-2011 (R2017) [12]*.

7.1.8 Packages for Loader

Loader dedicated for usage in Secured Environment only.

Loader dedicated for usage in Secured Environment only is intended for loader only used in operational environments which are under control of owner of the loaded data or its subcontractor. This is typically the composite product manufacturer or more specifically the IC packaging manufacturer.

The TOE Functional Requirement “Limited capabilities-Loader (FMT_LIM.1[Loader])” is

specified as follows.

FMT_LIM.1[Loader] Limited capabilities - Loader

Hierarchical to: No other components.

Dependencies: FMT_LIM.2 Limited availability.

FMT_LIM.1.1[Loader]1.1 The TSF shall be designed and implemented in a manner that limits its capabilities so that in conjunction with “Limited availability (FMT_LIM.2)” the following policy is enforced: *Deploying Loader functionality after blocking the TOE loader for TOE Delivery to the customer does not allow stored user data to be disclosed or manipulated by unauthorized user.*

The TOE Functional Requirement “Limited availability-Loader (FMT_LIM.2[Loader])” is specified as follows.

FMT_LIM.2[Loader] Limited availability - Loader

Hierarchical to: No other components.

Dependencies: FMT_LIM.1 Limited capabilities.

FMT_LIM.2.1[Loader] The TSF shall be designed in a manner that limits its availability so that in conjunction with “Limited capabilities (FMT_LIM.1)” the following policy is enforced: *The TSF prevents deploying the Loader functionality after blocking of Loader for TOE delivery to the customers.*

7.2 TOE Security Assurance Requirements

The evaluation assurance level is EAL6 augmented with ALC_FLR.1. In the following Table 16, the security assurance requirements are given.

Table 16: Assurance components

Aspect	Acronym	Description
Development	ADV_ARC.1	Security Architecture design

	ADV_FSP.5	Functional specification
	ADV_IMP.2	Implementation representation
	ADV_INT.3	TSF internals
	ADV_SPM.1	Formal model of Security Policies
	ADV_TDS.5	TOE design
Guidance Documents	AGD_OPE.1	Operational user guidance
	AGD_PRE.1	Preparative procedures
Life-Cycle Support	ALC_CMC.5	CM capabilities
	ALC_CMS.5	CM scope
	ALC_DEL.1	Delivery procedures
	ALC_DVS.2	Development security
	ALC_LCD.1	Life-cycle definition
	ALC_TAT.3	Tools and techniques
	ALC_FLR.1	Basic flaw remediation
Security Target Evaluation	ASE_CCL.1	Conformance claims
	ASE_ECD.1	Extended components definition
	ASE_INT.1	ST introduction
	ASE_OBJ.2	Security objectives
	ASE_REQ.2	Derived security requirements
	ASE_SPD.1	Security problem definition
	ASE_TSS.1	TOE summary specification
Tests	ATE_COV.3	Analysis of coverage
	ATE_DPT.3	Depth
	ATE_FUN.2	Functional testing
	ATE_IND.2	Independent testing - sample
Vulnerability Assessment	AVA_VAN.5	Advanced methodical vulnerability testing

➤ **ADV_SPM**

The developer shall provide a formal security policy model.

ADV_SPM.1 Formal TOE security policy model

Hierarchical to: No other components.

Dependencies: ADV_FSP.4 Complete functional specification.

ADV_SPM.1.1D The developer shall provide a formal security policy model for the *Access Control Policy (FDP_ACC.1, FDP_ACF.1 with the associated dependencies)*.

7.3 Security Requirements Rationale**7.3.1 Rationale for the Security Functional Requirements**

The security functional requirements rationale of the TOE is defined and described in PP section 6.3 for the following security functional requirements: FDP_ITT.1, FDP_IFC.1, FPT_ITT.1, FPT_PHP.3, FDP_SDI.2, FDP_SDC.1, FPT_FLS.1, FRU_FLT.2, FMT_LIM.1, FMT_LIM.2, FCS_RNG.1, and FAU_SAS.1. In PP section 7.3.1 the rationale for the following Security Functional Requirements are provided: FMT_LIM.1[Loader] and FMT_LIM.2[Loader].

The security functional requirements FDP_ACC.1, FDP_ACF.1, FCS_COP.1, FCS_CKM.1 and FCS_CKM.4 are defined in the following description:

Table 17: Rationale for Additional Security Functional Requirements in the ST

Objective	TOE Security Functional Requirements
O.TDES	- FCS_COP.1[TDES] "Cryptographic operation" - FCS_CKM.4[TDES] "Cryptographic key destruction"
O.AES	- FCS_COP.1[AES] "Cryptographic operation" - FCS_CKM.4[AES] "Cryptographic key destruction"
O.RSA	- FCS_COP.1[RSA] "Cryptographic operation"
O.EC	- FCS_CKM.1[EC] "Cryptographic key generation" - FCS_COP.1[ECDSA] "Cryptographic operation" - FCS_COP.1[ECDH] "Cryptographic operation" - FCS_COP.1[ECIES] "Cryptographic operation"
O.Mem-Access	- FDP_ACC.1 "Subset access control" - FDP_ACF.1 "Security attribute based access control"

O.Cap_Avail_Loader	- FMT_LIM.1[Loader] "Limited capabilities" - FMT_LIM.1[Loader] "Limited availability"
--------------------	--

The table above gives an overview, how the security functional requirements are combined to meet the security objectives. The detailed justification is given in the following:

The security functional requirement(s) "Cryptographic operation (FCS_COP.1)" exactly requires those functions to be implemented which are demanded by O.TDES, O.AES, O.EC and O.RSA. Therefore, FCS_COP.1 is suitable to meet the security objective.

The usage of cryptographic algorithms requires the use of appropriate keys. Otherwise these cryptographic functions do not provide security. The keys have to be unique with a very high probability, and must have a certain cryptographic strength etc. In case of a key import into the TOE (which is usually after TOE delivery) it has to be ensured that quality and confidentiality are maintained. Keys for TDES, AES, RSA and EC are provided by the environment. In this ST the objectives for the environment OE.Resp-Appl have been clarified. The Smartcard Embedded Software defines the use of the cryptographic functions FCS_COP.1 provided by the TOE. The requirements for the environment FDP_ITC.1, FDP_ITC.2, FCS_CKM.1 and FCS_CKM.4 support an appropriate key management. These security requirements are suitable to meet OE.Resp-Appl.

The justification of the security objective and the additional requirements (both for the TOE and its environment) show that they do not contradict to the rationale already given in the Protection Profile for the assumptions, policy and threats defined there.

The security functional requirement "Subset access control (FDP_ACC.1)" with the related Security Function Policy (SFP) "Memory Access Control Policy" exactly require the implementation of an area based memory access control as required by O.Mem-Access. The related TOE security functional requirements FDP_ACC.1, FDP_ACF.1 cover this security objective. The implementation of these functional requirements is represented by the dedicated privilege level concept.

The justification of the security objective and the additional requirements show that they do not contradict to the rationale already given in the Protection Profile for the assumptions, policy and threats defined there. Moreover, these additional security functional

requirements cover the requirements by CC part 2 [3] user data protection of chapter 11 which are not refined by the PP [1].

Nevertheless, the developer of the Smartcard Embedded Software must ensure that the additional functions are used as specified and that the User Data processed by these functions are protected as defined for the application context. The TOE only provides the tool to implement the policy defined in the context of the application.

7.3.2 Dependencies of Security Functional Requirements

The dependence of security functional requirements is defined and described in PP section 6.3.2 for the following security functional requirements: FDP_ITT.1, FDP_IFC.1, FPT_ITT.1, FPT_PHP.3, FDP_SDI.2, FDP_SDC.1, FPT_FLS.1, FRU_FLT.2, FMT_LIM.1, FMT_LIM.2, FCS_RNG.1 and FAU_SAS.1.

The dependence of security functional requirements for the security functional requirements FDP_ACC.1, FDP_ACF.1, FCS_COP.1, FMT_MSA.3, FMT_MSA.1, FMT_SMF.1, FCS_CKM.4 and FDP_SDI.2 is defined in the following description.

Table 18: Dependency for cryptographic operation requirement

Security Functional Requirement	Dependencies	Fulfilled by security requirements
FCS_COP.1[TDES]	FCS_CKM.1	No, see comment 2
	FDP_ITC.1 or FDP_ITC.2 (if not FCS_CKM.1) FCS_CKM.4	No, see comment 2 Yes, CKM.4[TDES]
FCS_COP.1[AES]	FCS_CKM.1	No, see comment 2
	FDP_ITC.1 or FDP_ITC.2 (if not FCS_CKM.1) FCS_CKM.4	No, see comment 2 Yes, CKM.4[AES]
FCS_CKM.4[TDES]	FCS_CKM.1	No, see comment 2
	FDP_ITC.1 or FDP_ITC.2 (if not FCS_CKM.1)	No, see comment 2

FCS_CKM.4[AES]	FCS_CKM.1	No, see comment 2
	FDP_ITC.1 or FDP_ITC.2 (if not FCS_CKM.1)	No, see comment 2
FCS_COP.1[RSA]	FCS_CKM.1	No, see comment 2
	FDP_ITC.1 or FDP_ITC.2 (if not FCS_CKM.1) FCS_CKM.4	No, see comment 2
FCS_COP.1[ECDSA]	FCS_CKM.1	Yes, FCS_CKM.1[EC]
	FDP_ITC.1 or FDP_ITC.2 (if not FCS_CKM.1) FCS_CKM.4	No, see comment 2
FCS_COP.1[ECDH]	FCS_CKM.1	Yes, FCS_CKM.1[EC]
	FDP_ITC.1 or FDP_ITC.2 (if not FCS_CKM.1) FCS_CKM.4	No, see comment 2
FCS_COP.1[ECIES]	FCS_CKM.1	Yes, FCS_CKM.1[EC]
	FDP_ITC.1 or FDP_ITC.2 (if not FCS_CKM.1) FCS_CKM.4	No, see comment 2
FCS_CKM.1[EC]	FCS_CKM.2 or FCS_COP.1	Yes, FCS_COP.1[ECDSA], FCS_COP.1[ECDH], FCS_COP.1[ECIES]
	FCS_CKM.4	No, see comment 2
FMT_LIM.1[Loader]	FMT_LIM.2	Yes, FMT_LIM.2 [Loader]
FMT_LIM.2[Loader]	FMT_LIM.1	Yes, FMT_LIM.1 [Loader]
FDP_ACC.1	FDP_ACF.1	Yes, FDP_ACF.1
FDP_ACF.1	FDP_ACC.1	Yes, FDP_ACC.1
	FMT_MSA.3	Yes, FMT_MSA.3

FMT_MSA.3	FMT_MSA.1 FMT_SMR.1	Yes, FMT_MSA.1 No, see comment 1
FMT_MSA.1	FDP_ACC.1 or FDP_IFC.1 FMT_SMR.1 FMT_SMF.1	Yes, FDP_ACC.1 No, see comment 1 Yes, FMT_SMF.1
FMT_SMF.1	None	N/A
FDP_SDI.2	None	N/A

Comment 1:

The dependency FMT_SMR.1 introduced by the two components FMT_MSA.1 and FMT_MSA.3 is considered to be satisfied because the access control specified for the intended TOE is not role based but enforced for each subject. Therefore, there is no need to identify roles in form of a security functional requirement FMT_SMR.1.

End of Comment

Comment 2:

The security functional requirement “Cryptographic operation (FCS_COP.1)” met by the TOE have the following dependencies:

- [FDP_ITC.1 Import of user data without security attributes, or
- FDP_ITC.2 Import of user data with security attributes or
- FCS_CKM.1 Cryptographic key generation]
- FCS_CKM.4 Cryptographic key destruction

For the security functional requirements FCS_COP.1[TDES] and FCS_COP.1[AES], the respective dependencies FCS_CKM.1, FCS_CKM.4 and FDP_ITC.1 or FDP_ITC.2 have to be fulfilled by the environment. That means, that the environment shall meet the requirements FCS_CKM.1 and FCS_CKM.4 as defined in CC part 2, section 10.1 and shall meet the requirements FDP_ITC.1 or FDP_ITC.2 as defined in CC part 2, section 11.7. But the TOE also fulfills FCS_CKM.4[TDES] and FCS_CKM.4[AES]

For the security functional requirements FCS_CKM.4[TDES] and FCS_CKM.4[AES], the respective dependencies FCS_CKM.1, FDP_ITC.1 or FDP_ITC.2 have to be fulfilled by the environment. That means, that the environment shall meet the requirements FCS_CKM.1 as

defined in CC part 2, section 10.1 or shall meet the requirements FDP_ITC.1 or FDP_ITC.2 as defined in CC part 2, section 11.7.

For the security functional requirement FCS_COP.1[RSA], FCS_COP.1[ECDSA], FCS_COP.1[ECDH] and FCS_COP.1[ECIES], the respective dependencies FDP_ITC.1, FDP_ITC.2 have to be fulfilled by the environment. That mean, that the environment shall meet the requirements FDP_ITC.1 or FDP_ITC.2 as defined in CC part 2, section 11.7.

For the security functional requirement FCS_COP.1[RSA], FCS_COP.1[ECDSA], FCS_COP.1[ECDH], FCS_COP.1[ECIES] and FCS_CKM.1[EC], the respective dependencies FCS_CKM.4 have to be fulfilled by the environment. That mean, the environment shall meet the requirements FCS_CKM.4 as defined in CC part 2, section 10.1.

For the security functional requirements FCS_COP.1[RSA], the respective dependencies FCS_CKM.1 have to be fulfilled by the environment. For the security requirement FCS_COP.1[ECDSA], FCS_COP.1 [ECDH] and FCS_COP.1[ECIES] the respective dependency FCS_CKM.1 has to be fulfilled by the TOE with the security functional requirement FCS_CKM.1[EC] (for FCS_COP.1[ECDSA], FCS_COP.1 [ECDH] and FCS_COP.1 [ECIES]) as defined in section 7.1.7.

End of Comment

7.3.3 Rationale of the Assurance Requirements

The chosen assurance level EAL6 and the augmentation with the requirements ALC_FLR.1 were chosen in order to meet the assurance expectations explained in the following paragraphs. In Table 16: Assurance components the different assurance levels are shown as well as the augmentations. The augmentations are in compliance with the Protection Profile. The rationale for the augmentations is the same as in the PP. The assurance level EAL6 is an elaborated pre-defined level of the CC, part 3 [4]. The assurance components in an EAL level are chosen in a way what they build a mutually supportive and complete set of components. The requirements chosen for augmentation do not add any dependencies, which are not already fulfilled for the corresponding requirements contained in EAL6. Therefore, these components add additional assurance to EAL6, but the mutual support or requirements is

still guaranteed. Therefore, the augmentation with the requirement ALC_FLR.1 were chosen in order to meet the assurance expectations explained in the following paragraphs.

ALC_FLR.1 Basic flaw remediation

Flaw remediation requires that discovered security flaws be tracked and corrected by the developer. Although future compliance with flaw remediation procedures cannot be determined at the time of the TOE evaluation, it is possible to evaluate the policies and procedures that a developer has in place to track and correct flaws, and to distribute the flaw information and corrections.

ALC_FLR.1 has no dependencies.

7.3.4 Security Requirements are internally Consistent

For this chapter the PP [1] section 6.3.4 can be applied completely.

In addition to the discussion in section 6.3 of PP [1] the security functional requirement FCS_COP.1 is introduced. The security functional requirements required to meet the security objectives O.Leak-Inherent, O.Phys-Probing, O.Malfunction, O.Phys-Manipulation and O.Leak-Forced also protect the cryptographic algorithms implemented according to the security functional requirement FCS_COP.1. Therefore, these security functional requirements support the secure implementation and operation of FCS_COP.1.

The implemented level concept represents the area based memory access protection enforced by the TOE or eMPU. As an attacker could attempt to manipulate the privilege level definition as defined and present in the TOE, the functional requirement FDP_ACC.1 and the related other requirements have to be protected themselves. The security functional requirements required to meet the security objectives O.Phys-Probing, O.Malfunction, O.Phys-Manipulation and O.Mem-Access also protect the area based memory access control function implemented according to the security functional requirement described in the security functional requirement FDP_ACC.1 with reference to the Memory Access Control Policy and details given in FDP_ACF.1. Therefore, those security functional requirements support the secure implementation and operation of FDP_ACF.1 with its dependent security

functional requirements.

The requirement FDP_SDI.2.1 allows detection of integrity errors of data stored in memory. FDP_SDI.2.2 in addition allows correction of one bit errors or taking further action. Both meet the security objective O.Malfunction. The requirements FRU_FLT.2, FPT_FLS.1, and FDP_ACC.1 which also meet this objective are independent from FDP_SDI.2 since they deal with the observation of the correct operation of the TOE and not with the memory content directly.

In order to support Capability and availability of the Loader the security functional requirements FMT_LIM.1[Loader] and FMT_LIM.2[Loader] are introduced. The security functional requirements required to meet the security objectives Capability and availability of the Loader (O.Cap_Avail_Loader) also protect the Capability and availability of the Loader implemented according to the following security functional requirements.

The requirements FMT_LIM.1[Loader] in conjunction with FMT_LIM.2[Loader] limits its capability and availability, allowing for non-overlapping loading of user data and protecting the TSF against misuse of the Loader for attacks against the TSF. The requirements FMT_LIM.2[Loader] is the easiest variant of Loader functionality relying on secure boot loading procedures in secure environment before TOE delivery to the assigned customer and preventing deploying the Loader of the TOE after blocking of Loader for TOE delivery to the customer.

8 TOE summary specification

The TOE is equipped with following Security Features to meet the security functional requirements:

- SF_PM: Protection against Malfunction
- SF_PP: Physical Protection
- SF_PF: Prevent abuse of Functionality
- SF_RNG: Random Number Generator
- SF_CS: Cryptographic Support

- SF_MAC: Memory Access Control
- SF_PL: Protection against Leakage

The following description of the Security Features is a complete representation of the TSF.

8.1 SF_PM: Protection against Malfunction

Malfunctioning relates to the security functional requirements FRU_FLT.2, FPT_FLS.1 and FDP_SDI.2. The TOE meets these SFRs by a group of Security Functions (SFs) that guarantee correct operation of the TOE.

SFR	Security Feature	Security Function(SFs)
FRU_FLT.2	SF_PM: Protection against Malfunction	Temperature detection (SF1)
FPT_FLS.1		Glitch detection (SF2)
		Voltage Detection (SF3)
		Internal Frequency Detection (SF4)
		Light detection (SF5)
FDP_SDI.2		Error Correction
		Error Detection (Parity check)

If one of the detectors or mechanisms detects an alarm event, the TOE will enter reset state or trigger an exception and return error message to the security IC embedded software to make sure a secure situation.

FPT_FLS.1: Failure with preservation of secure state

Failures such as frequency, voltage, temperature, light and power glitch that are out of the special range are detected by TOE's detectors. The failures will cause an alarm signals to be triggered, which will result in a special function register bit to be set and a reset or an exception (secure state).

FRU_FLT.2: Limited fault tolerance

In order to prevent malfunction, the operation signals (clock, reset, supply voltage) are filtered/regulated. The detectors that prevent noise, glitches in the external reset pad and prevent extremely high/low internal clock frequency are implemented in the hardware.

FDP_SDI.2: Stored data integrity monitoring and action

The data stored in memory with checksum code using cyclic redundancy check algorithm to verify the stored data integrity. The check algorithm is valid in the memory areas including: NVM, RAM and CRAM.

The TOE is equipped with an error detection code (EDC) for protecting RAM, CRAM and an ECC which is realized in the NVM. Thus introduced failures are securely detected and, in terms of single bit errors in the NVM also automatically corrected (FDP_SDI.2). For NVM in case of more than one bit errors and for RAM in case of any bit errors detected, a security alarm is triggered.

8.2 SF_PP: Physical Protection

Physical Protection relates to the security functional requirements FPT_PHP.3, FDP_SDI.2 and FDP_SDC.1. The TOE meets this SFR by implementing security features that provides physical protection against physical probing and manipulation.

SFR	Security Feature	Security Function(SFs)
FPT_PHP.3	SF_PP: Physical Protection	Active shielding (SF6)
FDP_SDC.1		Memory encryption
FDP_SDI.2		Error Correction
		Error Detection (Parity check)
		CRAM Bus encryption

If a physical manipulation or physical probing attack is detected, an alarm will be automatically triggered by the hardware, which will cause the chip to be reset or generate an interrupt.

FPT_PHP.3: Resistance to physical attack

This requirement focuses on the security features when the active shield is manipulated so

that the features prevent the TOE from physical intrusive attacks. The TOE resets or generates an interrupt once the physical manipulations or physical probing attacks are detected.

Synthesizable processor core with glue logic makes reverse engineering and signal identification unpractical.

Memory encryption and CRAM bus encryption prevent memory and address/data buses from probing attacks. Moreover, routing the sensitive signals such as alarm signals or buses in middle layer is effective.

FDP_SDC.1: Stored data confidentiality

All memories present on the TOE (NVM, OTP, CRAM and RAM) are encrypted using individual keys assigned by complex key management. In case of security critical error, a security alarm is generated and the TOE ends up in a secure state. All of the data that stored within memory areas are encrypted, thus the attacker can only get the cipher-text data. The encrypt algorithm is not publicity. The address of the stored data is also encrypted, so it is very difficult to get the stored data by the attacker.

The data on the CRAM bus is encrypted, which can prevent the plaintext data on the bus from being observed.

FDP_SDI.2: Stored data integrity monitoring and action

The data stored in memory with checksum code to verify the stored data integrity. The check algorithm is valid in the memory areas including: NVM, System RAM.

The TOE is equipped with an error detection code (EDC) for protecting RAM and an ECC, which is realized in the NVM. Thus introduced failures are securely detected and, in terms of single bit errors in the NVM also automatically corrected (FDP_SDI.2). For NVM in case of more than one bit errors and for RAM in case of any bit errors detected, a security alarm is triggered.

8.3 SF_PF: Prevent abuse of Functionality

Prevent abuse of Functionality relates to the security requirements FMT_LIM.1, FMT_LIM.2, FAU_SAS.1, FMT_LIM.1[Loader] and FMT_LIM.2[Loader]. The TOE meets these SFRs by

implementing a complicated test mode and download mode control mechanism that prevents abuse of test functionality delivered as part of the TOE and the download functionality after it is blocked.

SFR	Security Feature	Security Function(SFs)
FMT_LIM.1 FMT_LIM.2 FAU_SAS.1	SF_PF: Protection abuse of Functionality	Test mode protection (SF7)
FMT_LIM.1[Loader] FMT_LIM.2[Loader]		Secure boot and secure download (SF17)

FAU_SAS.1: Audit storage

The manufacturing data written into the OTP area once the TOE is set from test mode to application mode.

The chip identification data (O.Identification) and TOE configuration data are also stored in the OTP area. In addition, user initialization data can be stored in the non-volatile memory during the production phase as well. During this first data programming, the TOE is still in the secure environment and in Test Mode.

FMT_LIM.1: Limited capabilities

The access to the test mode is limited. Furthermore, once the TOE is switched to application mode, the test mode is unavailable any more.

In addition, during start-up of the TOE the decision for one of the various operation modes is taken dependent on phase identifiers. The phase identifiers are stored in the OTP, the sequence of the phases is protected by the one-time program characteristics. The phase cannot be rolled back.

FMT_LIM.2: Limited availabilities

The access to the test mode is limited. Furthermore, once the TOE is switched to application mode, the test mode is unavailable any more. Only under test mode, functional test is able to be conducted.

FMT_LIM.1[Loader]: Limited capabilities - Loader

After finishing the load operation, the Loader functionality has to be permanently

deactivated by the authorized user in secure environment according to the Bootloader user guidance, so that no further load operation with the NVM Loader is possible. And it is not possible to disclose or manipulate user data.

FMT_LIM.2[Loader]: Limited availabilities - Loader

The Loader functionality is controlled by the secure boot-up procedure and it must be used in secure environment. Once the Loader is deactivated, the boot-up procedure never executes the Loader function.

8.4 SF_RNG: Random Number Generator

Random Numbers Generator relate to the security requirement FCS_RNG.1. The TOE meets this SFR by providing true random number generator (TRNG).

SFR	Security Feature	Security Function(SFs)
FCS_RNG.1	SF_RNG: Random Number Generator	Random Number Generator (SF8)

FCS_RNG.1: Random number generator

True Random Number Generator algorithm that follows the requirements and the metric of the AIS20 Class PTG.2 standard.

Random data is essential for cryptography as well as for security mechanisms. The TOE is equipped with a physical True Random Number Generator (TRNG, FCS_RNG.1). The random data can be used for the Smartcard Embedded Software and is also used for the security features of the TOE, like masking. The TRNG implement self-testing features. The TRNG fulfills the requirements from the functionality class PTG.2 of [5].

8.5 SF_CS: Cryptographic Support

Cryptographic Support relates the security requirements FCS_COP.1[TDES], FCS_COP.1[AES], FCS_COP.1[RSA], FSC_COP.1[ECDSA], FCS_COP.1[ECDH], FCS_COP.1[ECIES], FCS_CKM.1[EC], FCS_CKM.4[TDES] and FCS_CKM.4[AES]. The TOE meets these SFRs by providing cryptographic functionality by means of a combination of accelerating hardware and IC

dedicated support software.

SFR	Security Feature	Security Function(SFs)
FCS_COP.1[TDES] FCS_CKM.4[TDES]	SF_CS: Cryptographic Support	TDES (SF9)
FCS_COP.1[AES] FCS_CKM.4[AES]		AES (SF10)
FCS_COP.1[RSA]		RSA (SF12) (Encryption, Decryption, Signature Generation and Verification)
FCS_CKM.1[EC] FCS_COP.1[ECIES] FCS_COP.1[ECDH] FCS_COP.1[ECDSA]		Elliptic Curves (SF11) (Key Generation, Encryption, Decryption, Signature Generation and Verification, Asymmetric Key Agreement)

8.5.1 TDES Function

The TOE supports the encryption and decryption in accordance with the specified cryptographic algorithm Triple Data Encryption Standard (TDES) in the Electronic Codebook Mode (ECB), Cipher Block Chaining Mode (CBC), and with cryptographic key sizes of 112 bit and 168 bit meeting the standard: NIST SP800-67[6], NIST SP800-38A [7].

The covered security functional requirements are FCS_COP.1 [TDES]

This SFR is implemented by using the interface of the CL. This library contains additional countermeasures.

Note: The TOE is delivered with the TDES CL library. The TDES CL library contains hardened TDES algorithms. The CL library needs an accessible SCP.

8.5.2 AES Function

The TSF supports the encryption and decryption in accordance with the specified cryptographic algorithm Advanced Encryption Standard (AES) in the Electronic Codebook Mode (ECB), Cipher Block Chaining Mode (CBC) and cryptographic key sizes of 128 bit or 192 bit or 256 bit according to the standard: FIPS PUB 197 [8] and NIST SP800-38A [7].

The covered security functional requirement is FCS_COP.1[AES].

This TSF is implemented by using the interface of the CL. This library contains additional countermeasures.

Note: The TOE is delivered with the AES CL library. The AES CL library contains hardened AES algorithms. The AES library needs an accessible SCP.

8.5.3 RSA Function

The TSF shall perform encryption and decryption in accordance with a specified cryptographic algorithm Rivest-Shamir-Adleman (RSA) and cryptographic key sizes 512- 4096 bits that meet the following standards:

➤ Encryption:

According to section 5.1.1 RSAEP in PKCS v2.2 RFC8017 [9].

➤ Decryption (with or without CRT):

According to section 5.1.2 RSADP in PKCS v2.2 RFC8017 [9], for $u = 2$, i.e., without any (r_i, d_i, t_i) , $i > 2$, therefore without 5.1.2 (2.b) (ii)&(v), without 5.1.2 (1), 5.1.2 (2.a) only supported up to $n < 2^{4096}$.

➤ Signature Generation (with or without CRT):

According to section 5.2.1 RSASP1 in PKCS v2.2 RFC8017 [9], for $u = 2$, i.e., without any (r_i, d_i, t_i) , $i > 2$, therefore without 5.2.1 (2.b) (ii)&(v), without 5.2.1 (1), 5.2.1 (2.a) only supported up to $n < 2^{4096}$.

➤ Signature Verification:

According to section 5.2.2 RSAVP1 in PKCS v2.2 RFC8017 [9], without 5.2.2 (1).

The covered security functional requirement is FCS_COP.1[RSA].

Note: The TOE can also be delivered with the Cryptographic library. The Cryptographic library contains the RSA algorithms stated above. The RSA library needs an accessible PKE. If the library is not delivered, then this SFR is not applicable.

8.5.4 Elliptic Curves

The certification covers the standard NIST [12] and Brain pool [13] Elliptic Curves with key lengths of 192, 224, 256, 384 and 521 Bits, due to national AIS32 regulations by the BSI. Note that there are numerous other curve types, being also secure in terms of side channel attacks on this TOE, which can the user optionally add in the composition certification process.

8.5.4.1 Signature Generation and Verification

The TSF shall perform signature generation and signature verification in accordance with a specified cryptographic algorithm ECDSA and cryptographic key sizes 192, 224, 256, 384 and 521 that meet the following standard:

➤ **Signature Generation:**

According to section 7.3 in ANSI X9.62 – 2005 [10]:

Not implemented is step d) and e) thereof.

The output of step e) has to be provided as input to our function by the caller.

Deviation of step c) and f):

The jumps to step a) were substituted by a return of the function with an error code, the jumps are emulated by another call to our function.

➤ **Signature Verification:**

According to section 7.4.1 in ANSI X9.62–2005 [10]:

Not implemented is step b) and c) thereof.

The output of step c) has to be provided as input to our function by the caller.

Deviation of step d):

Beside noted calculation, our algorithm adds a random multiple of the group order n to

the calculated values u_1 and u_2 .

The covered security functional requirement is FCS_COP.1[ECDSA].

Note: The TOE can also be delivered with the Crypto library. The Crypto library contains the EC algorithms stated above. The EC library needs an accessible PKE. If the EC library is not delivered, then this TSF is not provided.

8.5.4.2 Asymmetric Key Generation

The TSF shall generate cryptographic keys in accordance with a specified cryptographic key generation algorithm Elliptic Curve EC specified in ANSI X9.62-2005[10] and specified cryptographic key sizes 192, 224, 256, 384 and 521 bits that meet the following standard:

➤ ECDSA Key Generation:

According to the appendix A4.3 in ANSI X9.62-2005 [10] the co factor h is not supported.

The covered security functional requirement is FCS_CKM.1[EC].

Note: The TOE can also be delivered with the Crypto library. The Crypto library contains the EC algorithms stated above. The Crypto library needs an accessible PKE. If the Crypto library is not delivered, then this TSF is not provided.

8.5.4.3 Asymmetric Key Agreement

The TSF shall perform elliptic curve Diffie-Hellman key agreement in accordance with a specified cryptographic algorithm ECDH and cryptographic key sizes 192, 224 256, 384 and 521 bits that meet the following standard:

According to section 5.4.1 in X9.63–2011(R2017) [11] unlike section 5.4.1.3 our implementation not only returns the x-coordinate of the shared secret, but rather the x-coordinate and y-coordinate.

The covered security functional requirement is FCS_COP.1[ECDH].

Note: The TOE can also be delivered with the Crypto library. The Crypto library contains the EC algorithms stated above. The Crypto library needs an accessible PKE. If the Crypto

library is not delivered, then this TSF is not provided.

8.5.4.4 Encryption and Decryption

The TSF shall perform encryption and decryption in accordance with a specified cryptographic algorithm ECIES and cryptographic key sizes 192, 224, 256, 384 and 521 bits that meet the following standard:

➤ Encryption:

According to section 5.8.1 in ANSI X9.63–2011(R2017) [11]:

In step 5) and step 8) we select sha-256as hash function which used in key derivation function and MAC scheme.

➤ Decryption:

According to section 5.8.2 in ANSI X9.63–2011(R2017) [11]:

In step 5) and step 8) we select sha-256 as hash function which used in key derivation function and MAC scheme.

The covered security functional requirement is FCS_COP.1[ECIES].

Note: The TOE can also be delivered with the Crypto library. The Crypto library contains the EC algorithms stated above. The EC library needs an accessible PKE. If the EC library is not delivered, then this TSF is not provided.

8.6 SF_MAC: Memory Access Control

Memory Access Control relates the security requirements FDP_ACC.1, FDP_ACF.1, FMT_MSA.3, FMT_MSA.1 and FMT_SMF.1.

SFR	Security Feature	Security Function(SFs)
FDP_ACC.1 FDP_ACF.1 FMT_MSA.3 FMT_MSA.1 FMT_SMF.1	SF_MAC: Memory Access Control	Memory access control(SF13)

FDP_ACC.1: Subset access control

The TOE implement the Memory Access Control Policy on all subjects: privileged and unprivileged program, all objects: defined regions in memory and all the operations: read, write, execute defined in the Memory Access Control Policy.

FDP_ACF.1: Security attributes based access control

The main memory access control rules are summarized below: ROM is hidden after the completion of Boot program execution, and that prevent the embedded software to access the Security Boot Loader (SBL), CRAM can only be accessed in privileged mode; The critical register can only be accessed in privileged mode; Table 15 provides the complete access control rules.

FMT_MSA.3: Static attributes initialization

In addition, during each start-up of the TOE the address ranges and access rights are initialized by the Security Boot Loader (SBL) with predefined values.

FMT_MSA.1: Management of security attributes

During operation within a phase the accesses to memories are granted by the eMPU controlled access rights and related levels.

FMT_SMF.1: Specification of Management Functions

The TOE clearly defines that *the privilege level program shall be able to access the configuration registers of the eMPU.*

8.7 SF_PL: Protection against Leakage

Protection against Leakage relates the security requirements FDP_ITT.1, FDP_IFC.1 and FPT_ITT.1. The TOE meets these SFRs by implementing several measures that provides logical protection against leakage.

SFR	Security Feature(SF)	Security Function(SFs)
FDP_ITT.1	SF_PL: Protection against Leakage	Bus encryption
FDP_IFC.1		Bus Polarity switching
FPT_ITT.1		Memory encryption

		CPU uniform instruction timing (SF14)
		CPU random branch insertion (SF16)
		Cryptographic clock randomization(SF15)

FDP_IFC.1: Subset information flow control

FDP_ITT.1: Basic internal transfer protection

FPT_ITT.1: Basic internal TSF data transfer protection

The combination of TOE features listed below achieves the effective protection of access to the internal signals.

- Address scrambling for memory
- Memory encryption
- Bus polarity switching
- Bus encryption

And the following security functions are available for ES to further prevent data leakage:

- CPU random branch insertion
- Crypto clock randomization

8.8 Assignment of Security Functional Requirements to TOE's Security Functionality

The justification and overview of the mapping between security functional requirements (SFR) and the TOE's security functionality (SF) is given in sections the sections above. The results are shown in Table 19. The security functional requirements are addressed by at least one relating security feature. The various functional requirements are often covered manifold. As described above the requirements ensure that the TOE is checked for correct operating conditions and if a not correctable failure occurs that a stored secure state is achieved, accompanied by data integrity monitoring and actions to maintain the integrity although failures occurred. An overview is given in following table:

Table 19: Mapping of SFR and Security Feature

SFR	SF_PM	SF_PP	SF_PF	SF_RNG	SF_CS	SF_MAC	SF_PL
FAU_SAS.1			√				
FMT_LIM.1			√				
FMT_LIM.2			√				
FDP_ACC.1						√	
FDP_ACF.1						√	
FMT_LIM.1[Loader]			√				
FMT_LIM.2[Loader]			√				
FPT_PHP.3		√					
FDP_ITT.1							√
FDP_SDC.1		√					
FDP_SDI.2	√	√					
FDP_IFC.1							√
FMT_MSA.1						√	
FMT_MSA.3						√	
FMT_SMF.1						√	
FRU_FLT.2	√						
FPT_ITT.1							√
FPT_FLS.1	√						
FCS_RNG.1				√			
FCS_COP.1[TDES]					√		
FCS_CKM.4[TDES]					√		
FCS_COP.1[AES]					√		
FCS_CKM.4[AES]					√		
FCS_COP.1[RSA]					√		
FCS_COP.1[ECDSA]					√		
FCS_COP.1[ECDH]					√		
FCS_COP.1[ECIES]					√		
FCS_CKM.1[EC]					√		

9 Bibliography

[1] Security IC Platform Protection Profile, Version 1.0, 13th Jan. 2014, registered and certified by Bundesamt für Sicherheit in der Informationstechnik (BSI) under the reference BSI-PP-0084

[2] Common Criteria for Information Technology Security Evaluation Part 1: Introduction and General Model; Version 3.1 Revision 5, April 2017, CCMB-2017-04-001

- [3] Common Criteria for Information Technology Security Evaluation Part 2: Security Functional Requirements; Version 3.1 Revision 5, April 2017, CCMB-2017-04-002
- [4] Common Criteria for Information Technology Security Evaluation Part 3: Security Assurance Requirements; Version 3.1 Revision 5, April 2017, CCMB-2017-04-003
- [5] Functionality classes and evaluation methodology for deterministic/physical random number generators, version 3, 15.05.2013, Bundesamt für Sicherheit in der Informationstechnik
- [6] National Institute of Standards and Technology (NIST), Technology Administration, U.S. Department of Commerce, Recommendation for the Triple Data Encryption Algorithm (TDEA) Block Cipher, NIST SP800-67, Revision 1.1, revised January 2012
- [7] National Institute of Standards and Technology (NIST), Technology Administration, U.S. Department of Commerce, Recommendation for Block Cipher Modes of Operation, NIST SP800-38A, December 2001
- [8] U.S. Department of Commerce / National Bureau of Standards, Advanced Encryption Standard (AES), FIPS PUB 197, 2001, November 26.
- [9] PKCS #1: RSA Cryptography Specifications Version 2.2, 2016
- [10] American National Standard for Financial Services ANSI X9.62-2005, Public Key Cryptography for the Financial Services Industry, the Elliptic Curve Digital Signature Algorithm (ECDSA), November 16, 2005, American National Standards Institute
- [11] American National Standard for Financial Services ANSI X9.63-2011 (R2017), Public Key Cryptography for the Financial Services Industry: Key Agreement and Key Transport Using Elliptic Curve Cryptography, February 10, 2017, American National Standards Institute
- [12] NIST FIPS PUB 186-4 FEDERAL INFORMATION PROCESSING STANDARDS PUBLICATION Digital Signature Standard (DSS) July 2013
- [13] RFC 5639: Elliptic Curves Cryptography (ECC) Brain pool Standard Curves and Curve Generation March 2010

10 Glossary

10.1 End-user

User of the composite product in phase 7.

10.2 IC Dedicated Software

IC dedicated software which is normally recognized as IC firmware, is developed by IC developer and embedded in a security IC. The IC dedicated software is mainly used for testing purpose (IC dedicated test software) but may provide additional services to facilitate usage of the hardware and/or to provide additional services (IC dedicated support software).

10.3 NVR

NVR is the abbreviation of Non-Volatile Register, which is implemented by a special block of NVM. The special block of NVM will not occupy the address space which user can see.

10.4 Security IC

Composition of TOE, the security IC embedded software, user data and package (the security IC carrier).

10.5 Security IC Embedded Software

Security IC embedded software supplies the security IC application and standard services and normally is developed other than IC designer. The embedded software is designed in phase 1 and embedded into the security IC in phase 3 or later phases of the security IC product life-cycle.

10.6 Security IC Product

Integration of security IC and Embedded software is evaluated as composite target of evaluation in sense of supporting document.

10.7 TOE Delivery

The TOE is delivered in the period of in form of packaged product after packaging in phase 4.